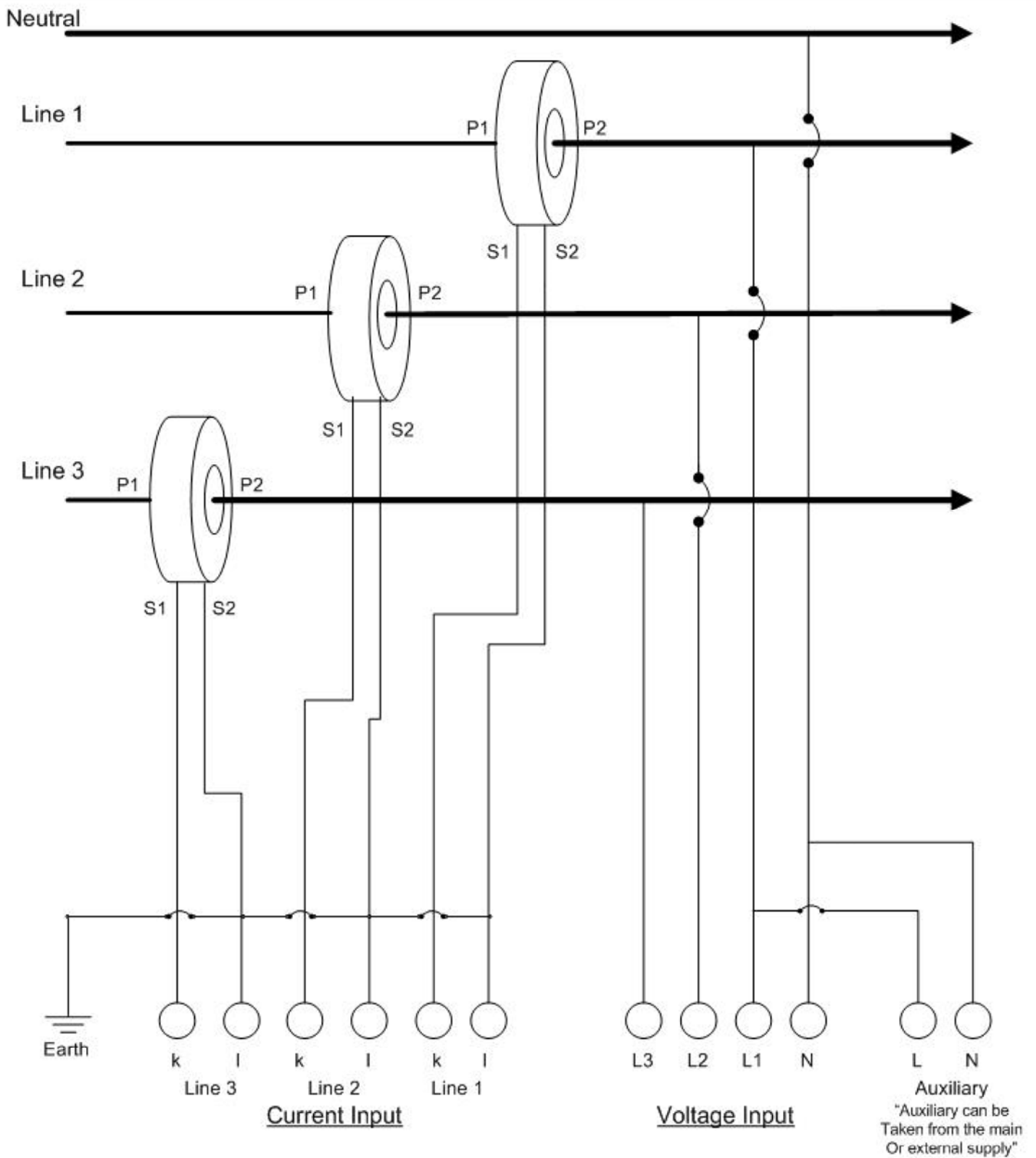


Wiring diagram for M850-MP1 unit 3 phase 4 wire unbalanced load



The above diagram is based on 3 phase 4 wire unbalanced load