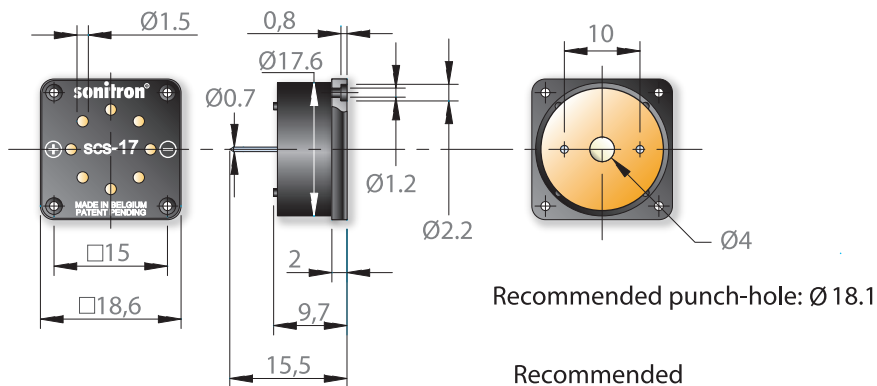


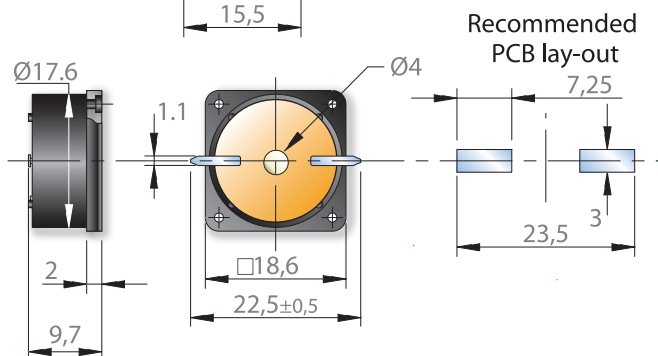
### SCS-17-P10

**Pin-version**  
(case in ABS)



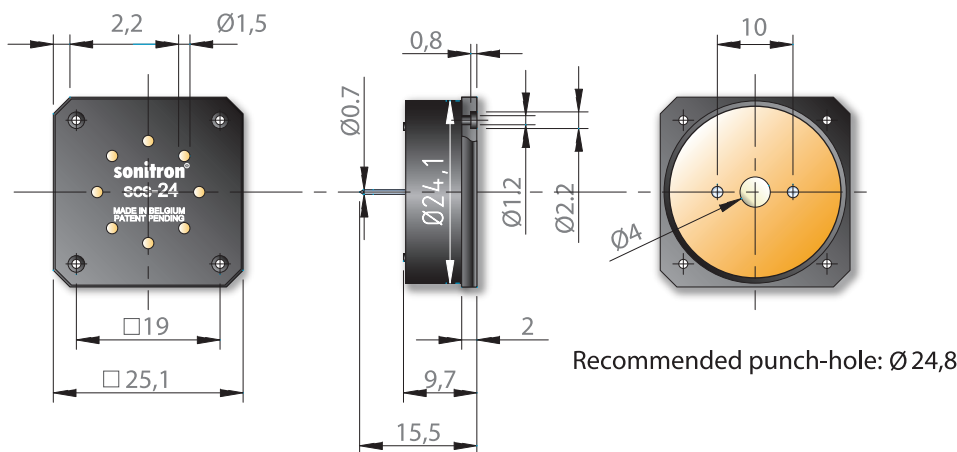
### SCS-17-S

**SMD-version**  
(case in PPS)



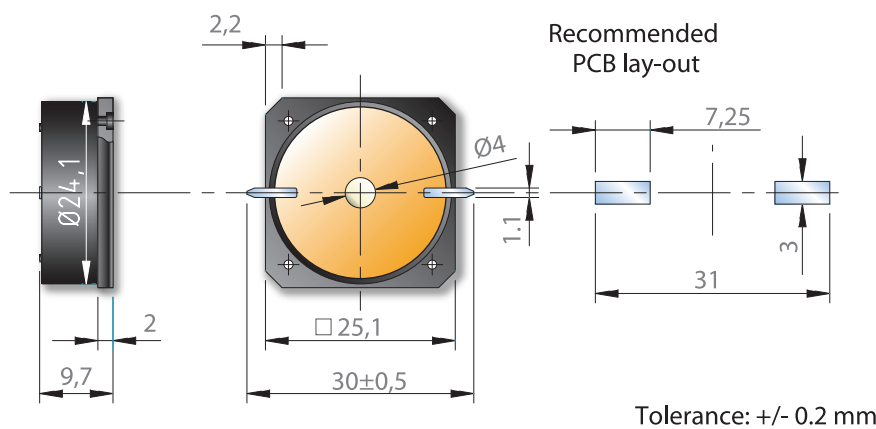
### SCS-24-P10

**Pin-version**  
(case in ABS)



### SCS-24-S

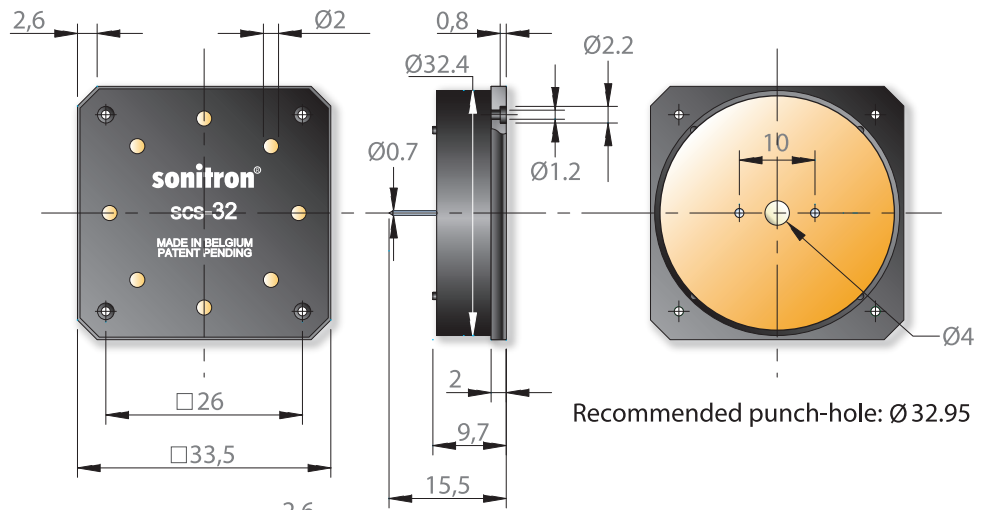
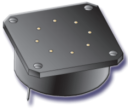
**SMD-version**  
(case in PPS)



Tolerance: +/- 0.2 mm

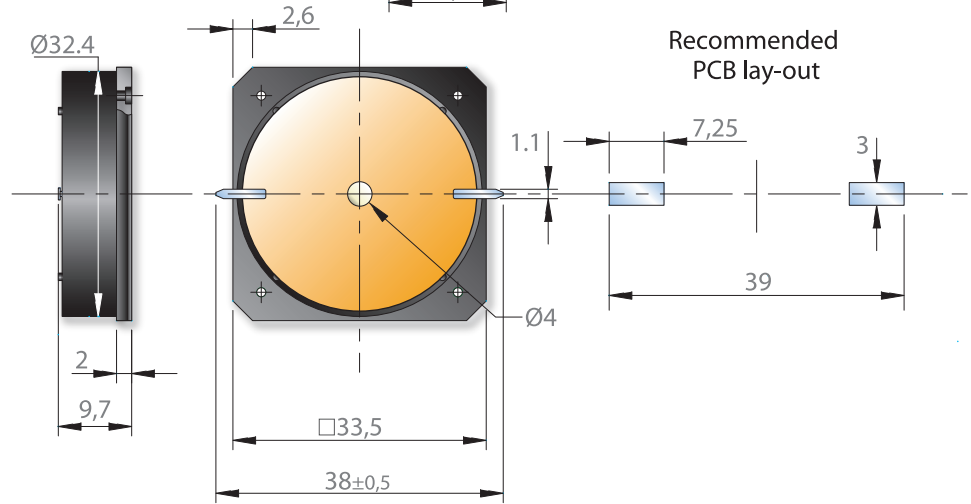
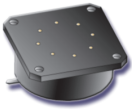
**SCS-32-P10**

**Pin-version**  
(case in ABS)



**SCS-32-S**

**SMD-version**  
(case in PPS)



Tolerance: +/- 0.2 mm