

**flare 230VAC/48VDC-0,5A**

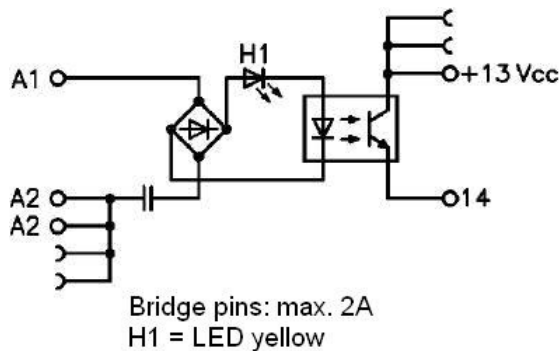
**flare 230VAC/48VDC-0,5A**

Compact solid-state relay

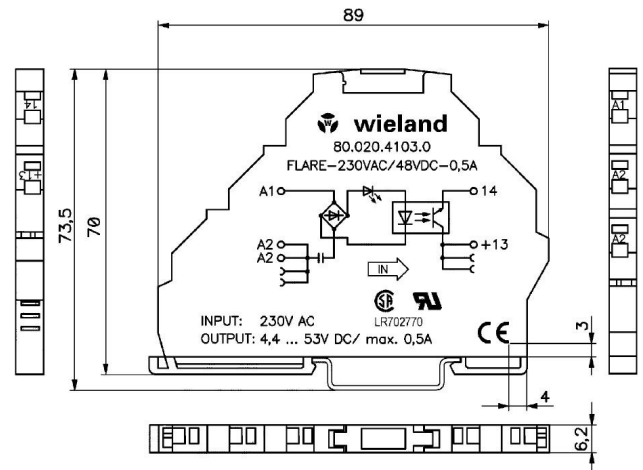
230 V AC

80.020.4103.0

- Compact solid-state relay
- Input voltage range 0 ... 250 V AC
- Mounting width 6,2 mm



Wiring diagram



Dimensional diagram

**Technical Data**

flare 230VAC/48VDC-0,5A	Order no. 80.020.4103.0
<b>Coil circuit</b>	
Operating voltage	230 V AC
Minimum input voltage	0 ... 40 V AC
Maximum input voltage	90 ... 250 V AC
Nominal input current	6,5 ... 7,5 mA
Status display	LED yellow
<b>Switching characteristics</b>	
Nominal switching voltage	4,4 ... 53 V DC
Max. switching voltage	53 V DC
Max. switching current	0,5 A (see Fig. 1 Load limiting curve)
DC1 30 / 110 / 220 V DC	
Min. switching voltage	4,4 V DC
Min. switching current	0,1 mA
Maximum switching frequency	10 Hz
Pick-up delay	25 ms
Release delay	25 ms
<b>General Data</b>	
Width	6,2 mm
Height	89 mm

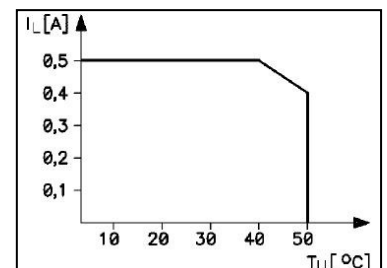


Fig. 1 Load limiting curve

**flare 230VAC/48VDC-0,5A**

---

**Technical Data**

<b>flare 230VAC/48VDC-0,5A</b>	<b>Order no. 80.020.4103.0</b>
Depth	70 mm
Isolation voltage of input/output	3,75 kV eff.
Ambient temperature	0 ... +50° C (see Fig. 1 Load limiting curve)
Storage temperature	-40 ... +55° C
Degree of protection (IP)	IP20
Mounting rail	TS35 acc. EN 60715
<b>Connection Data</b>	
Connection type	Spring clamp terminals
Wire range fine-stranded min	0,25 mm <sup>2</sup>
Wire range fine-stranded max	1,5 mm <sup>2</sup>
Wire range solid min	0,25 mm <sup>2</sup>
Wire range solid max	2,5 mm <sup>2</sup>
Connectable via pluggable jumper	50
<b>Approvals</b>	
Conformity	CE-conformity
Approvals and Standards	UR, CSA