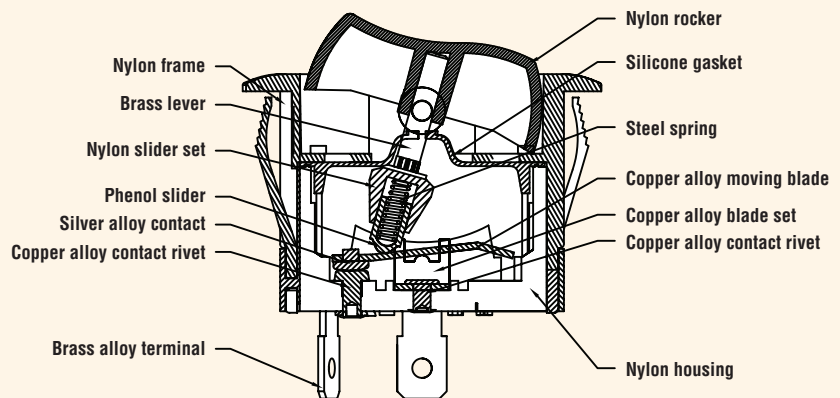


## WATERPROOF 16A ROCKER SWITCH

# KS Series

### Features

- Enclosed switch complying to IP56
- Available in single- or double-pole
- Multiple terminal options
- Snap-in mounting
- Mechanical life: 100,000 cycles
- DC electrical life: 25,000 cycles



### Electrical Ratings

Switch Series	VDC	UL1054 Rating	Electrical Life at Rated Load According to UL (Min. Operations)
KS	21A 14VDC	16A 125VAC; 10A 277VAC; 3/4HP 125-277VAC	6,000

### Specifications

#### Electrical

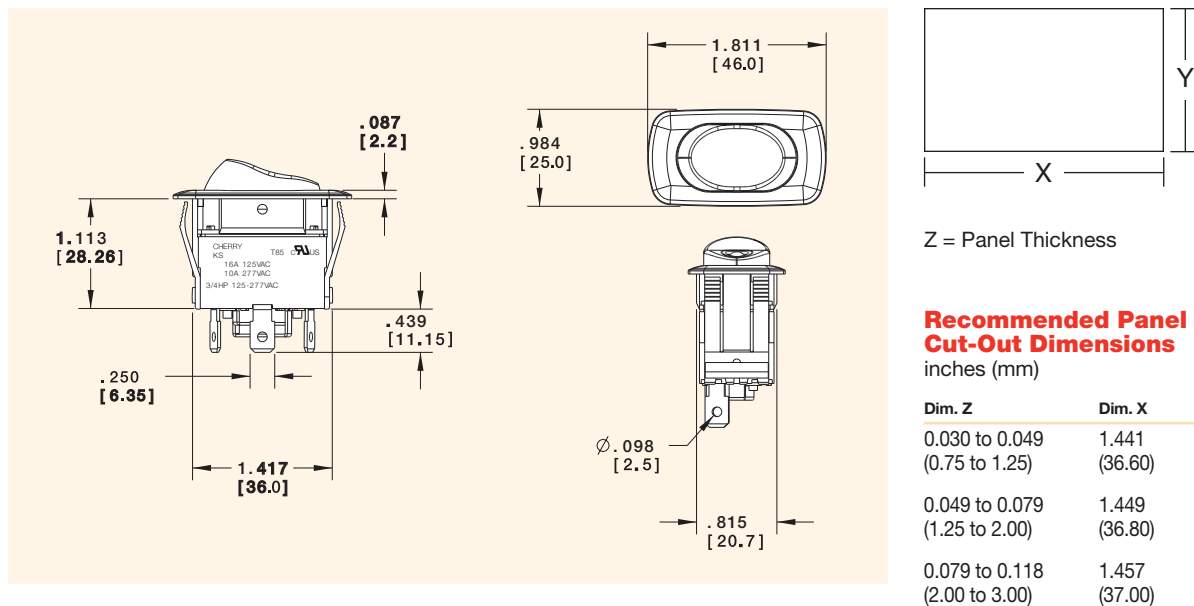
Dielectric Strength:	1500VAC for 1 minute
Insulation Resistance:	10 <sup>8</sup> ohms min at 500VDC
Initial Contact Resistance:	0.050 ohms max
Temperature Rating:	-20°C to +85°C

#### Materials

Actuator:	Nylon 66 with Glass Fiber
Housing:	Nylon 66
Bezel:	Nylon 66 with Glass Fiber
Spring:	Steel
Contacts:	Silver Inlay Copper Alloy
Movable Arm:	Silver-plated Copper Alloy
Terminals:	Silver-plated Copper Alloy



### Dimensions inches (mm)



### Recommended Panel Cut-Out Dimensions inches (mm)

Dim. Z	Dim. X	Dim. Y
0.030 to 0.049 (0.75 to 1.25)	1.441 (36.60)	0.835 (21.2)
0.049 to 0.079 (1.25 to 2.00)	1.449 (36.80)	0.835 (21.2)
0.079 to 0.118 (2.00 to 3.00)	1.457 (37.00)	0.835 (21.2)

### Examples of Common Part Numbers and Descriptions inches (mm)

Part Number	Circuitry	Switch Function	Terminal Type	Actuator/Housing Color	Legend Marking
KSF2ANB1BBD		On - Off	0.250 (6.3) Quick Connect	Black/Black	
KSF2BNB1BBB		On - On	0.250 (6.3) Quick Connect	Black/Black	

### Ordering Information

Code	Series	Code	Contact Rating	Code	Circuitry	Code	Switch Function	Code	Terminal Type	Code	Actuator Color	Code	Housing Color	Code	Actuator Marking*
KS	Series	F	16A 125VAC 10A 277VAC 3/4HP 125-277 VAC	2	Single-Pole	A	On - Off	B	0.250 (6.35) Quick Connect	A	Amber	B	Black	B	Blank
F		3		B	Double-Pole	B	On - On	S	Screw (No. 6-32UNC)	G	Green	B	Black	D	○ -
2				T						L	Blue			E	○
A										R	Red			F	
N										W	White			G	- =
B														H	
1														J	
B														K	
														L	
														M	

\*Only available for non-lighted