



TE Internal #: 1-1473005-1

SO DIMM Sockets, Double Data Rate (DDR), Stack Height .205 in [5.2 mm], Right Angle Module Orientation, 200 Position, .024 in [.6 mm] Centerline

[View on TE.com >](#)

Connectors > Socket Connectors > Memory Sockets > SO DIMM Sockets > DDR2 SO DIMM Sockets



DRAM Type: **Double Data Rate (DDR)**

Stack Height: **5.2 mm [.205 in]**

Module Orientation: **Right Angle**

Connector System: **Cable-to-Board**

Number of Positions: **200**

[All DDR2 SO DIMM Sockets \(30\)](#)

Features

Product Type Features

DRAM Type	Double Data Rate (DDR)
Connector System	Cable-to-Board
Connector & Contact Terminates To	Printed Circuit Board

Configuration Features

Number of Bays	2
Number of Keys	1
Number of Rows	2
Module Orientation	Right Angle
Number of Positions	200

Electrical Characteristics

DRAM Voltage	2.5 V
--------------	-------

Signal Characteristics

SGRAM Voltage	2.5 V
---------------	-------



Body Features

Ejector Location	Both Ends
Latch Material	Stainless Steel
Latch Plating Material	Tin
Module Key Type	SGRAM
Ejector Type	Locking
Connector Profile	Standard

Contact Features

Memory Socket Type	Memory Card
PCB Contact Termination Area Plating Material	Gold Flash
Contact Base Material	Copper Alloy
Contact Mating Area Plating Material	Gold Flash
Contact Mating Area Plating Material Thickness	.76 μm [30 μin]
Contact Current Rating (Max)	.5 A

Termination Features

Insertion Style	Cam-In
-----------------	--------

Mechanical Attachment

Mating Alignment Type	Standard Keying
PCB Mounting Style	Surface Mount
PCB Mount Retention	With
PCB Mount Retention Type	Solder Peg
Connector Mounting Type	Board Mount

Housing Features

Housing Material	High Temperature Thermoplastic
Housing Color	Black
Centerline (Pitch)	.6 mm[.024 in]

Dimensions

Stack Height	5.2 mm[.205 in]
Row-to-Row Spacing	6.2 mm[.244 in]

Usage Conditions

Operating Temperature Range	-55 – 85 $^{\circ}\text{C}$ [-67 – 185 $^{\circ}\text{F}$]
-----------------------------	---

Operation/Application

Circuit Application

Power

Industry Standards

UL Flammability Rating

UL 94V-0

Packaging Features

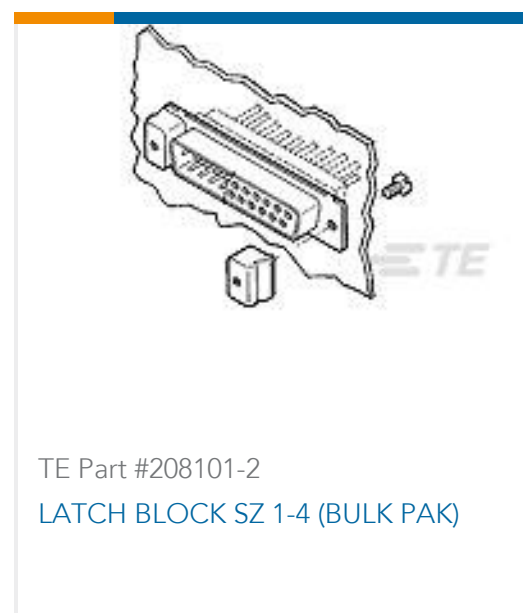
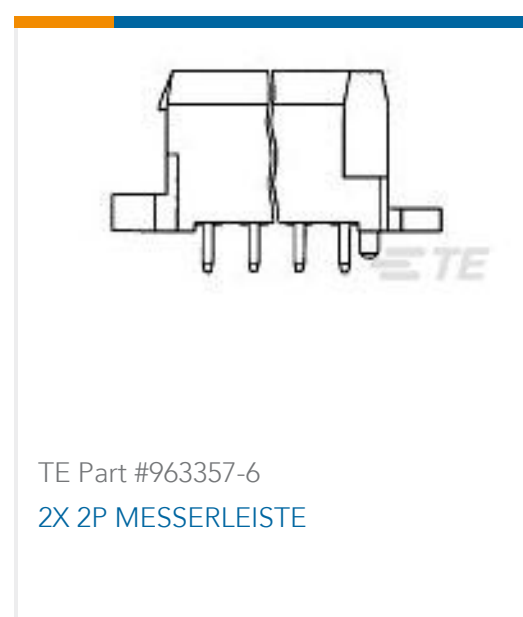
Packaging Quantity

20

Packaging Method

Semi-Hard Tray Assembly

Customers Also Bought



Documents

Product Drawings

[SEMI HARD TRAY DDR SOCKET 200P](#)

English

CAD Files

[Customer View Model](#)

[ENG_CVM_CVM_1-1473005-1_J1.2d_dxf.zip](#)

English



3D PDF

3D

Customer View Model

[ENG_CVM_CVM_1-1473005-1_J1.3d_igs.zip](#)

English

Customer View Model

[ENG_CVM_CVM_1-1473005-1_J1.3d_stp.zip](#)

English

By downloading the CAD file I accept and agree to the [Terms and Conditions](#) of use.

Product Specifications

Product Specification

English

Product Environmental Compliance

[MD_1-1473005-1_013120182147_dmtec](#)

English

[MD_1-1473005-1_013120182147_dmtec](#)

English