

THIS DRAWING IS UNPUBLISHED.



RELEASED FOR PUBLICATION

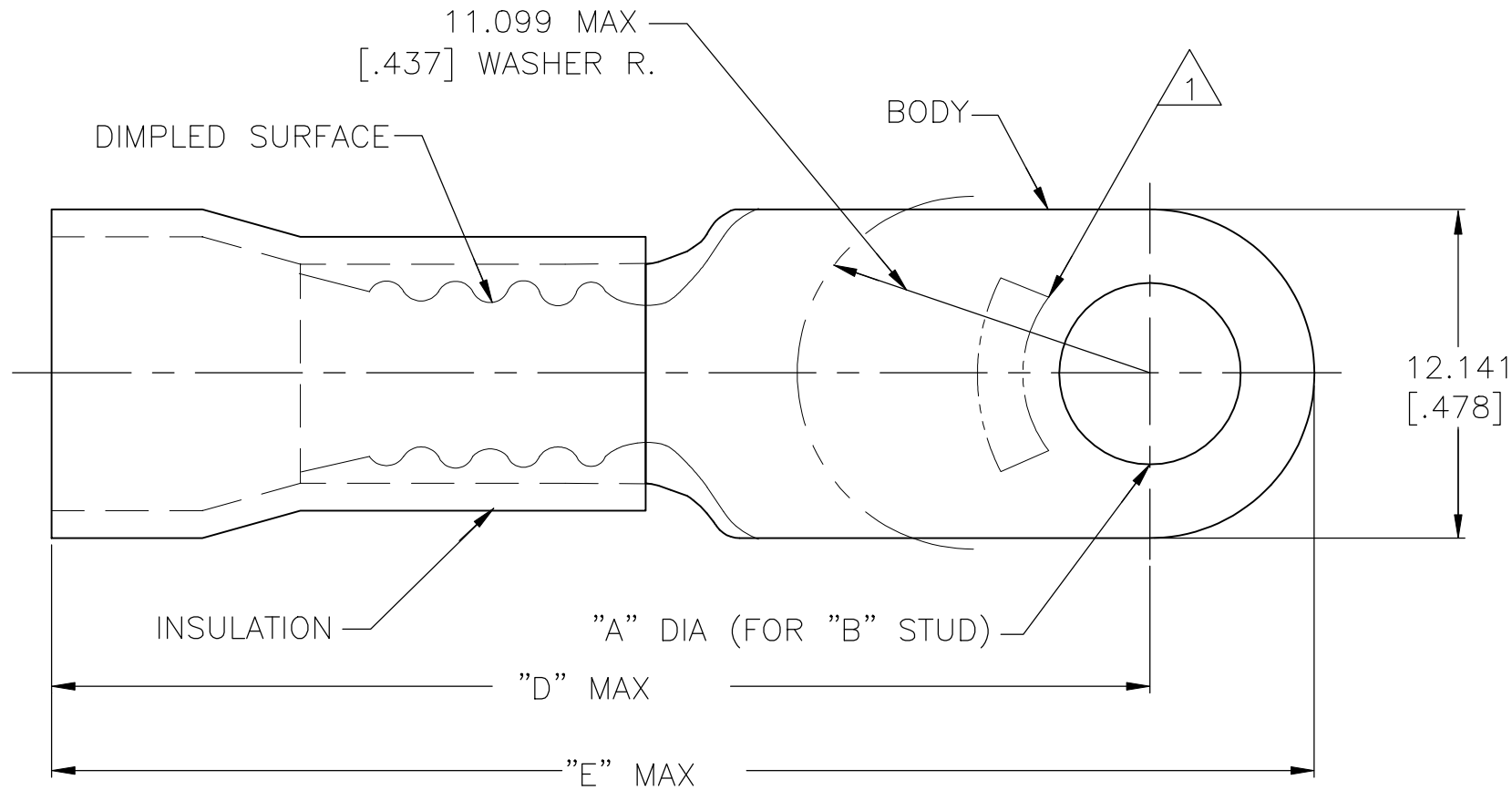
© COPYRIGHT - By -

ALL RIGHTS RESERVED.

REVISIONS

P	LTR	DESCRIPTION	DATE	DWN	APVD
	R3	REVISED PER ECO-11-004587	07APR11	RK	HMR
	R4	REVISED PER ECO-17-014338	27MAR2018	RS	DR

AMP WIRE RANGE	 FILE E13288	 LR7189 Certified
8 AWG STRANDED	8 AWG STRANDED	8 AWG STRANDED



- 1 STAMP AMP 8* LOCATE APPROX AS SHOWN
- 2 BODY MATERIAL THK 0.991±0.051[.039±.002]
- 3 SEE TABLE FOR WIRE INSULATION DIA MAX
- 4 TAPE ITEMS ARE ON 30.480[1.200] CENTERS

"E"	"D"	WIRE INSULATION DIA	"B"	"A"	QTY	PACKAGE TYPE	PART NO
40.640 [1.600]	34.493 [1.358]	8.382 [.330]	M6[1/4]	6.731±0.127 [.265±.005]	500	ON TAPE	52041-9
40.284 [1.586]	34.137 [1.344]	9.144 [.360]	M4[#8]	4.343±0.076 [.171±.003]			52041-7
							52041-6
40.640 [1.600]	34.493 [1.358]	8.382 [.330]	M6[1/4]	6.731±0.127 [.265±.005]	100	LOOSE PC	52041-3
40.284 [1.586]	34.137 [1.344]	9.144 [.360]	M4[#8]	4.343±0.076 [.171±.003]			52041-1
							52041

AMP INCORPORATED
CUSTOMER SERVICE SYSTEMS

MAX RECOMMENDED OPERATING TEMPERATURE:
105°C[221°F]

FOR ADDITIONAL PRODUCT INFORMATION OR COPIES OF DRAWINGS AND TECHNICAL DOCUMENTS

PRODUCT INFORMATION CENTER
1-800-522-6752

FOR APPLICATION TOOLING INFORMATION

TOOLING ASSISTANCE CENTER
1-800-722-1111

FOR ORDER ENTRY

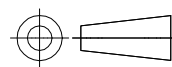
1-800-526-5142

VOLTAGE RATING:
600 V MAX

CIRCULAR MIL AREA:
6.64-10.54mm²[13,100-20,800]
STRANDED

THIS DRAWING IS A CONTROLLED DOCUMENT.

DIMENSIONS:
mm [INCHES]



TOLERANCES UNLESS OTHERWISE SPECIFIED:

- 0 PLC ± -
- 1 PLC ± -
- 2 PLC ± -
- 3 PLC ± 0.127[.005]
- 4 PLC ± -
- ANGLES ± -

MATERIAL
COPPER PER ASTM B-152
INSULATION: PVC

FINISH
BODY: TIN PLATE
PER ASTM-B545
INSULATION: COLOR-RED

DWN S.S. GOULDEN 9-28-93

CHK R. HERSEY 9-28-93

APVD B. BARE 9-28-93

PRODUCT SPEC

UL 486 A-B

APPLICATION SPEC

114-2161

WEIGHT

CUSTOMER DRAWING

STE TE Connectivity Ltd.

NAME
TERMINAL, RING TONGUE,
PLASTI-GRIP
WIRE SIZE: 8 AWG

SIZE CAGE CODE DRAWING NO RESTRICTED TO

A3 00779 C=52041

SCALE 4:1 SHEET 1 OF 1 REV R4

Mouser Electronics

Authorized Distributor

Click to View Pricing, Inventory, Delivery & Lifecycle Information:

[TE Connectivity:](#)

[52041-6](#)