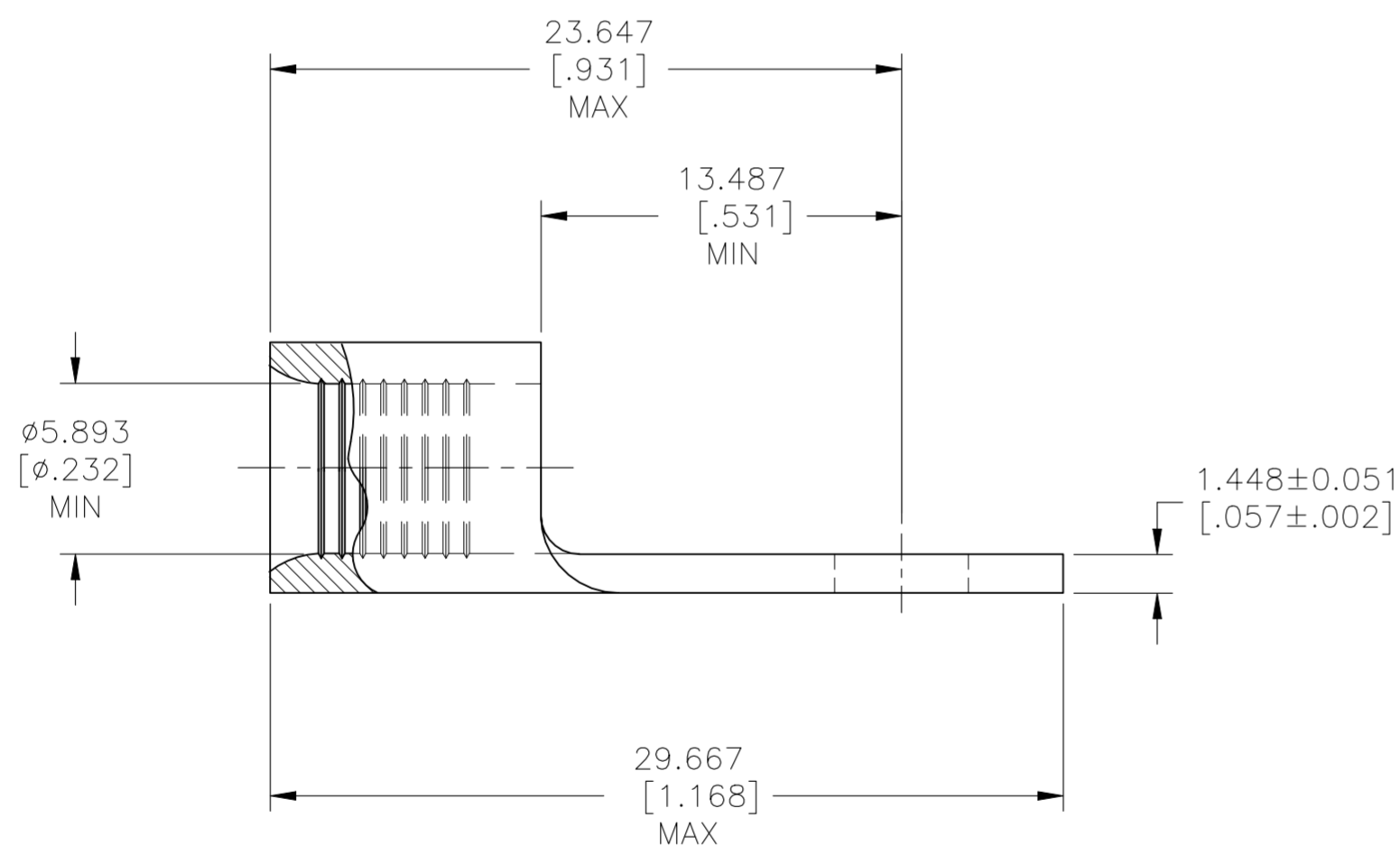
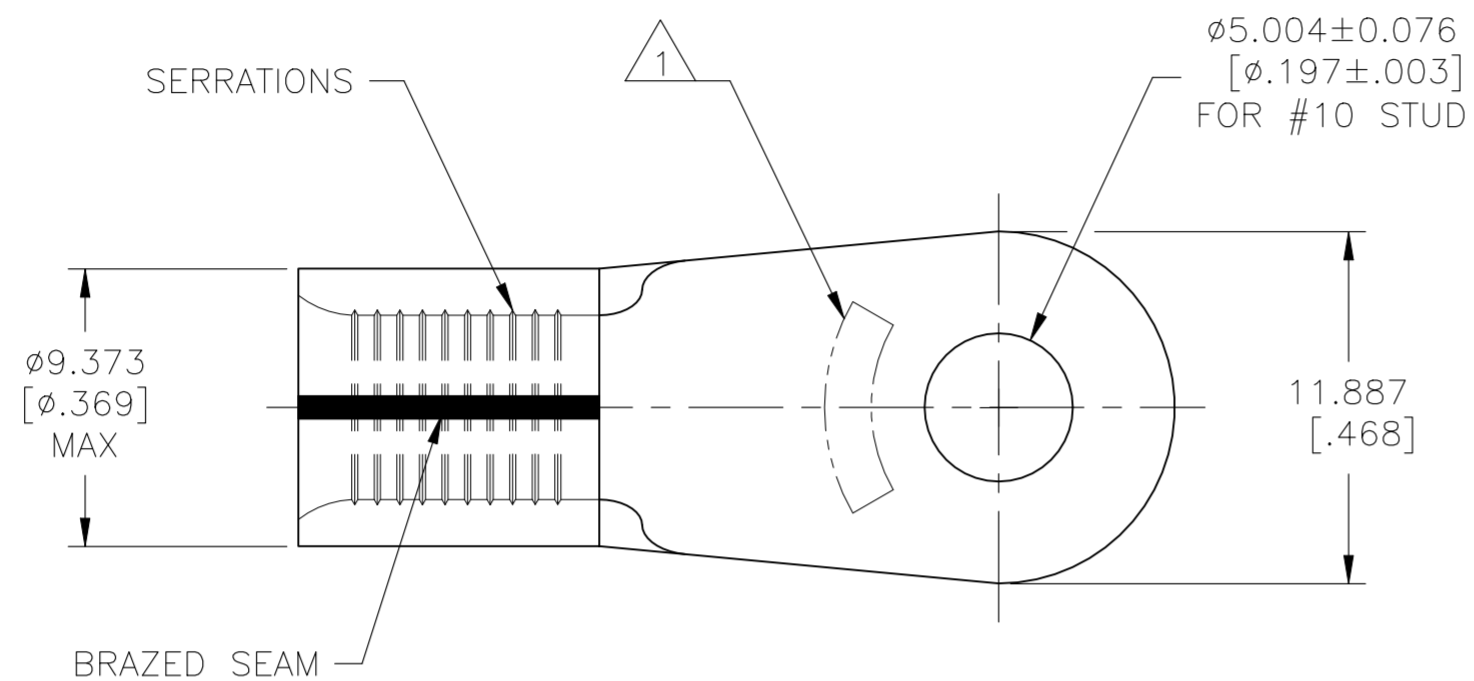


REVISIONS				
P	LTR	DESCRIPTION	DATE	APVD
	S3	REVISED PER ECN-22-150900	27APR2022	RK CSD



<b>AMP</b> WIRE RANGE	E13288 Listed
6 AWG SOLID OR STRANDED	6 AWG STRANDED

LR7189 Certified
6 AWG SOLID OR STRANDED

- ① STAMP AMP 6\* APPROX AS SHOWN
- ② UL 486 A-B

### AMP INCORPORATED CUSTOMER SERVICE SYSTEMS

MAX RECOMMENDED OPERATING TEMPERATURE:  
170°C [338°F] MAX

FOR ADDITIONAL PRODUCT INFORMATION OR COPIES OF DRAWINGS AND TECHNICAL DOCUMENTS

PRODUCT INFORMATION CENTER  
1-800-522-6752

VOLTAGE RATING:  
NOT APPLICABLE

FOR APPLICATION TOOLING INFORMATION

TOOLING ASSISTANCE CENTER  
1-800-722-1111

WIRE CROSS SECTIONAL AREA RANGE:  
10.5-16.8mm<sup>2</sup> [20,800-33,100] CIR MILS  
SOLID OR STRANDED

FOR ORDER ENTRY

1-800-526-5142

THIS DRAWING IS A CONTROLLED DOCUMENT FOR AMP INCORPORATED. IT IS SUBJECT TO CHANGE AND THE CONTROLLING ENGINEERING ORGANIZATION SHOULD BE CONTACTED FOR THE LATEST REVISION.

750	ON TAPE REEL 321298	TIN PLATE 0.00254 [0.000100] MIN THK PER ASTM B545	2-321298-6
100	LOOSE PIECE	TIN PLATE 0.00254 [0.000100] MIN THK PER ASTM B545	321298
QUANTITY	PACKAGE TYPE	FINISH	PART NO
THIS DRAWING IS A CONTROLLED DOCUMENT.		DWN TA BRINKMAN 3-24-93 CHK DA PATTERSON 3-24-93 APVD DE MILLER 3-24-93 NAME  TE Connectivity PRODUCT SPEC APPLICATION SPEC	
DIMENSIONS: mm [INCHES]	TOLERANCES UNLESS OTHERWISE SPECIFIED:	SIZE CAGE CODE DRAWING NO RESTRICTED TO A2 00779 C-321298 -	
0 PLC ± - 1 PLC ± - 2 PLC ± - 3 PLC ± 0.127 [0.005] 4 PLC ± - ANGLES ± -	FINISH SEE TABLE	WEIGHT -	SCALE 4:1 SHEET 1 of 1 REV S3
MATERIAL COPPER PER ASTM B-152 ANNEALED		CUSTOMER DRAWING	

321298

# Mouser Electronics

Authorized Distributor

Click to View Pricing, Inventory, Delivery & Lifecycle Information:

[TE Connectivity:](#)

[321298](#)