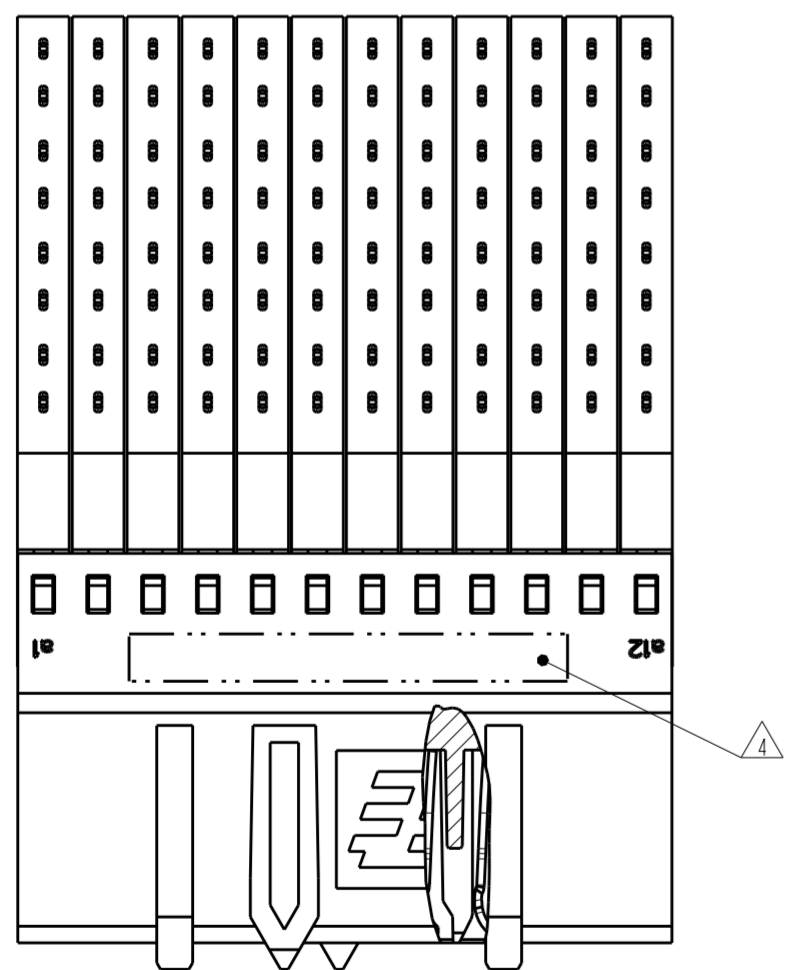
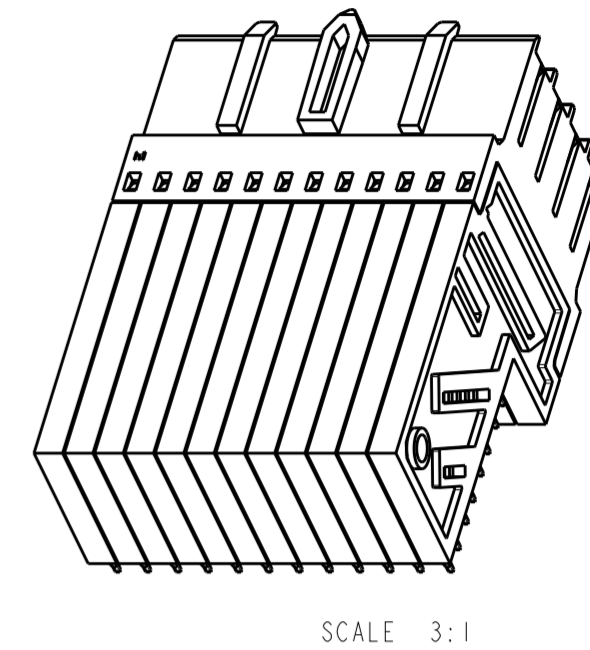
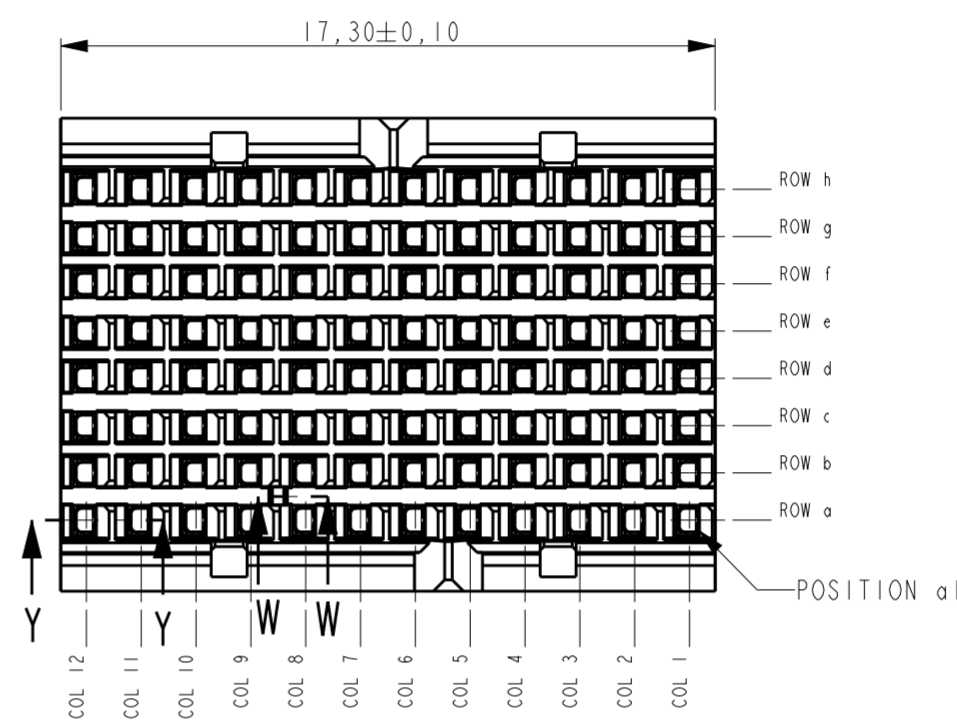
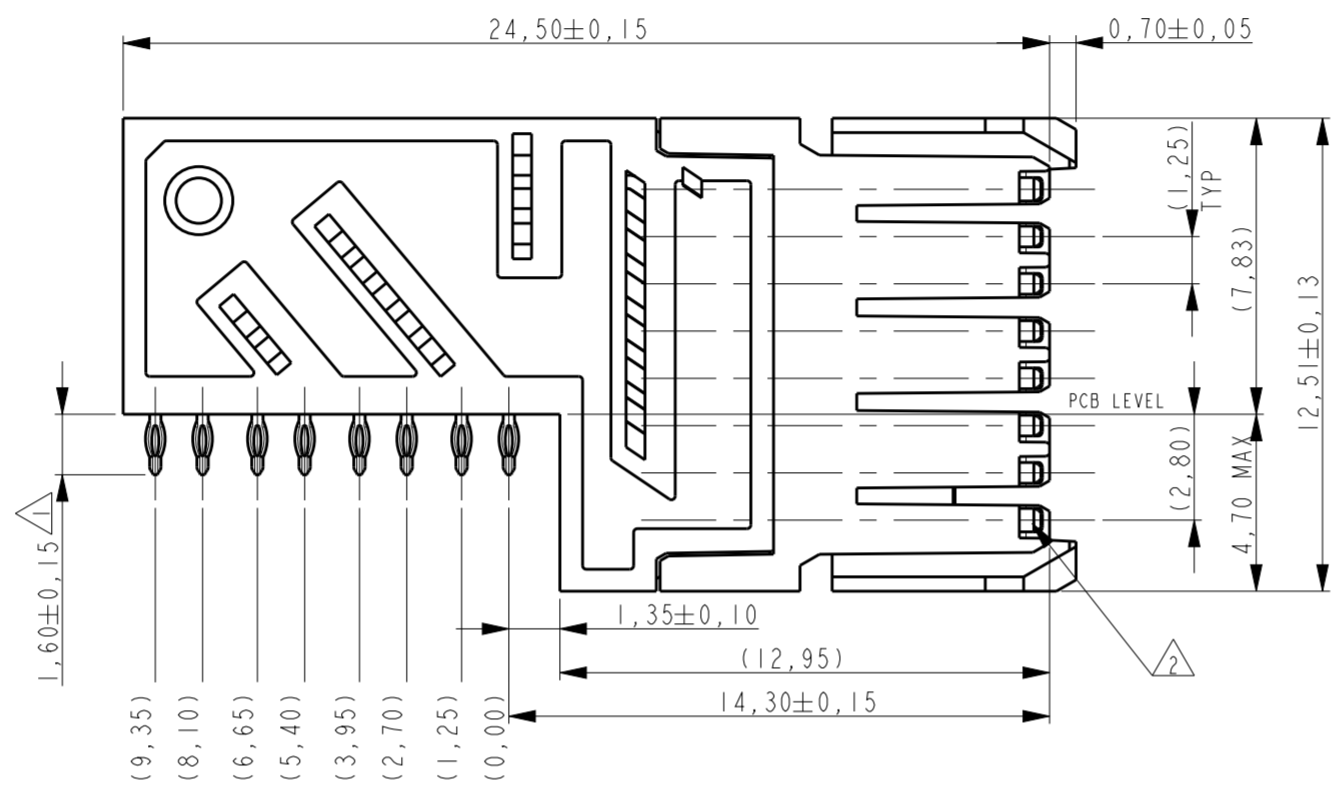
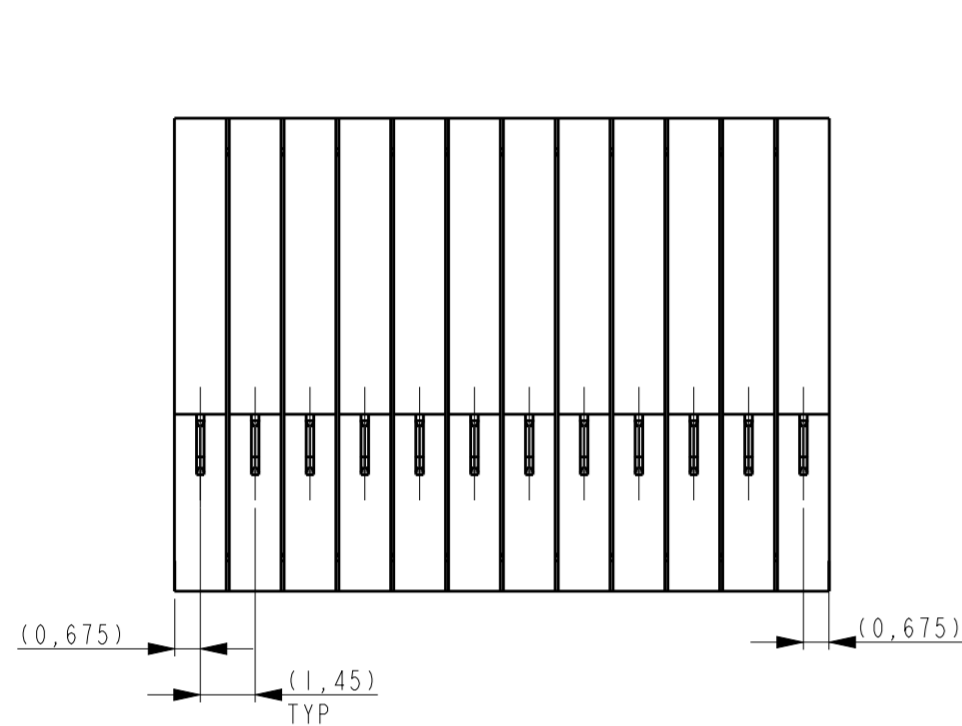
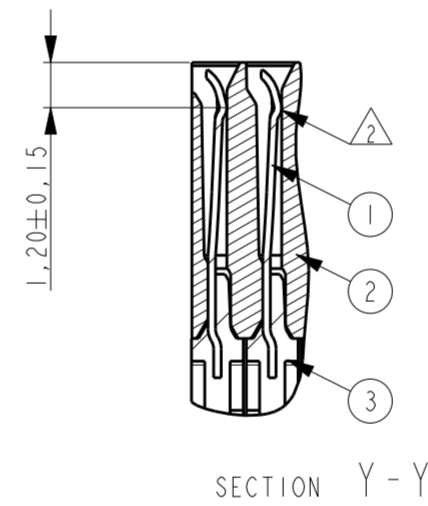


THIS DRAWING IS UNPUBLISHED. RELEASED FOR PUBLICATION
 © COPYRIGHT - BY TYCO ELECTRONICS CORPORATION. ALL RIGHTS RESERVED.

LOC		DIST		REVISIONS			
P	LTR	DESCRIPTION	DATE	DWN	APVD		
	A	DRAWING RELEASED PER ECR-11-017294	22AUG2011	JvdH	TdB		
	AI	CHANGED PER ECR-12-010777	13JUN2012	BM	TdB		
	B	ADDED TOLERANCES PER ECR-13-006546	17APR2013	JvdH	GJV		
	C	REVISED PER ECR-13-017996	16DEC2013	FL	FY		



SECTION W-W
(KEY POSITION)



SECTION Y-Y

NOTES:

- 1 PLATING: 0,5µm MIN. TIN OVER NICKEL.
- 2 PLATING:

PARTNUMBER	PERFORMANCE LEVEL
1982738-1	PERFORMANCE LEVEL 1: CONNECTOR TESTED AND QUALIFIED AGAINST TELCORDIA GR-1217-CORE QUALITY LEVEL III: UNCONTROLLED ENVIRONMENT APPLICATIONS. SEE PRODUCT SPEC 108-19353
1982738-2	PERFORMANCE LEVEL 2: CONFORMS TO ALL TESTING ACCORDING PRODUCT SPEC 108-19320, -250 MATING CYCLES, 4 DAYS MIXED GAS TEST PER IEC 60068-2-60 METHOD 1

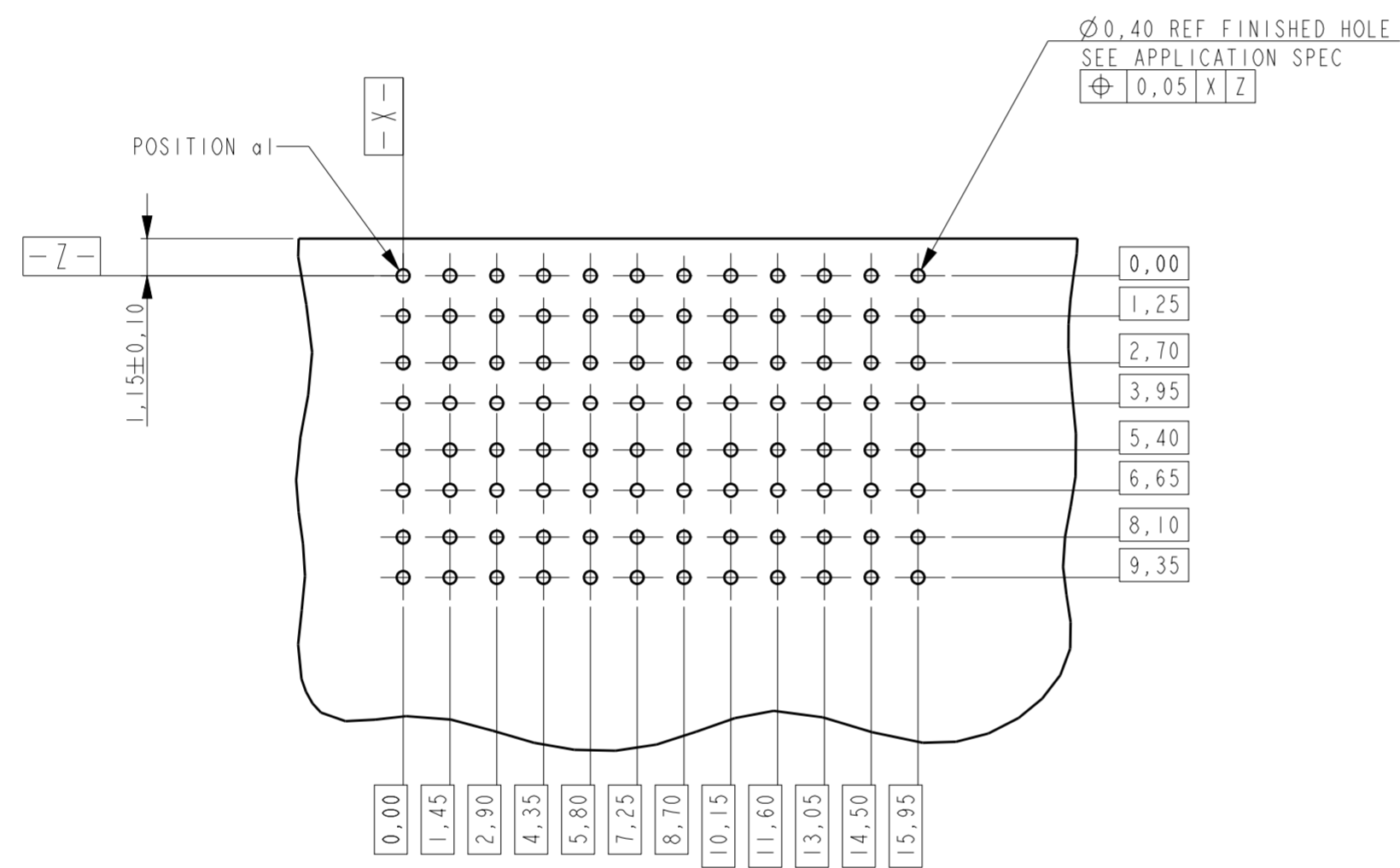
- 3 CONSULT APPLICATION SPEC OR CONTACT TE CONNECTIVITY FOR PERMISSIBLE CONTACT ASSIGNMENTS.
- 4 CONNECTOR MARKED WITH PARTNUMBER AND DATE CODE.

3	OVERMOLD	PBT 20% GF GREY
2	HOUSING	LCP 30% GF NATURAL
1	CONTACT	COPPER ALLOY
ITEM NO.	DESCRIPTION	MATERIAL

THIS DRAWING IS A CONTROLLED DOCUMENT.		DWN RA 31-Jan-2008	TE Connectivity			
DIMENSIONS: mm		CHK RA 31-Jan-2008				
TOLERANCES UNLESS OTHERWISE SPECIFIED:		APVD J BROEKSTEEG 31-Jan-2008				
0 PLC ± 1 PLC ± 2 PLC ± 3 PLC ± 4 PLC ± ANGLES ± FINISH ±		PRODUCT SPEC SEE NOTE 2 APPLICATION SPEC 114-19106 WEIGHT - Customer Drawing				
NAME FEMALE CONNECTOR Z-PACK Slim UHD Common Speed			SIZE A2	CAGE CODE 00779	DRAWING NO. C-1982738	RESTRICTED TO -
SCALE 5:1			SHEET 1	OF 2	REV C	

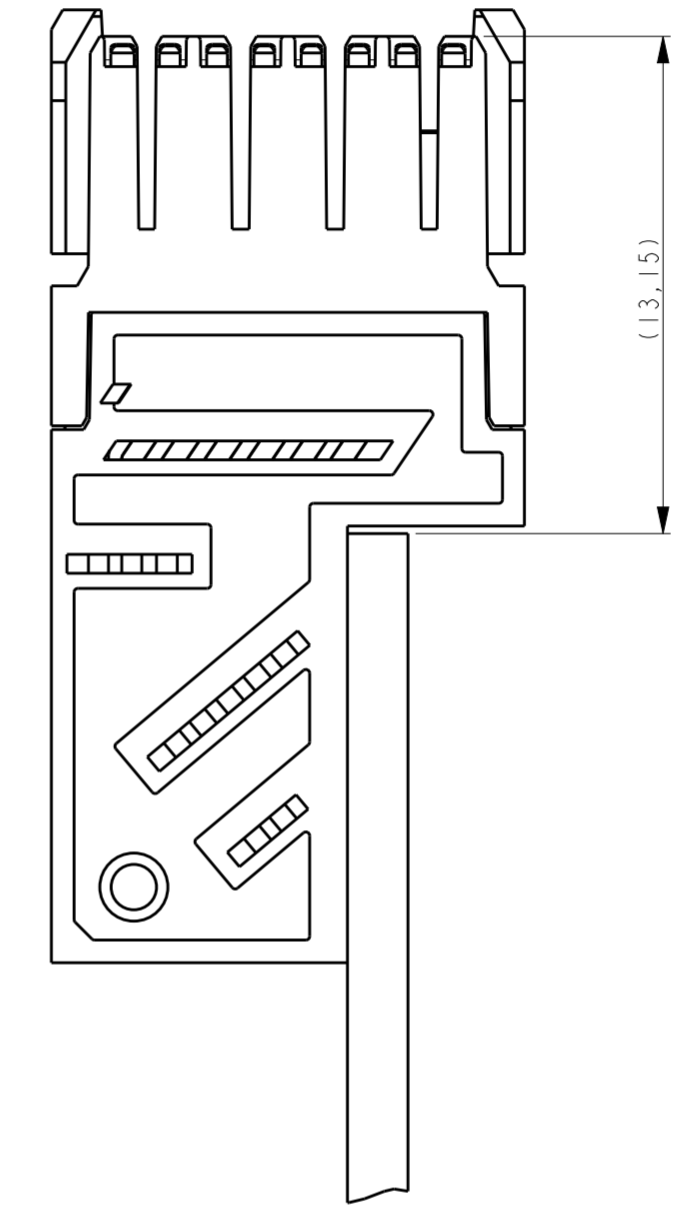
THIS DRAWING IS UNPUBLISHED. RELEASED FOR PUBLICATION
 © COPYRIGHT - BY TYCO ELECTRONICS CORPORATION. ALL RIGHTS RESERVED.

LOC	DIST	REVISIONS			
P	LTR	DESCRIPTION	DATE	DWN	APVD
H	-	SEE SHEET 1	-	-	-



BOARD THICKNESS 1,2 MIN

RECOMMENDED PCB LAYOUT
(COMPONENT SIDE SHOWN)



THIS DRAWING IS A CONTROLLED DOCUMENT.		DWN RA 31-Jan-2008	STE TE Connectivity	
		CHK RA 31-Jan-2008		
		APVD J.BROEKSTEEG 31-Jan-2008	NAME FEMALE CONNECTOR	
DIMENSIONS: mm		PRODUCT SPEC SEE SHEET 1	Z-PACK Slim UHD Common Speed	
TOLERANCES UNLESS OTHERWISE SPECIFIED:		APPLICATION SPEC SEE SHEET 1	SIZE A2	CAGE CODE 00779
0 PLC ±		WEIGHT -	DRAWING NO C-1982738	RESTRICTED TO -
1 PLC ±		Customer Drawing		
2 PLC ±		SCALE 5:1	SHEET 2	OF 2
3 PLC ±		REV C		
4 PLC ±				
ANGLES ±				
FINISH				

Mouser Electronics

Authorized Distributor

Click to View Pricing, Inventory, Delivery & Lifecycle Information:

[TE Connectivity:](#)

[1982738-1](#)