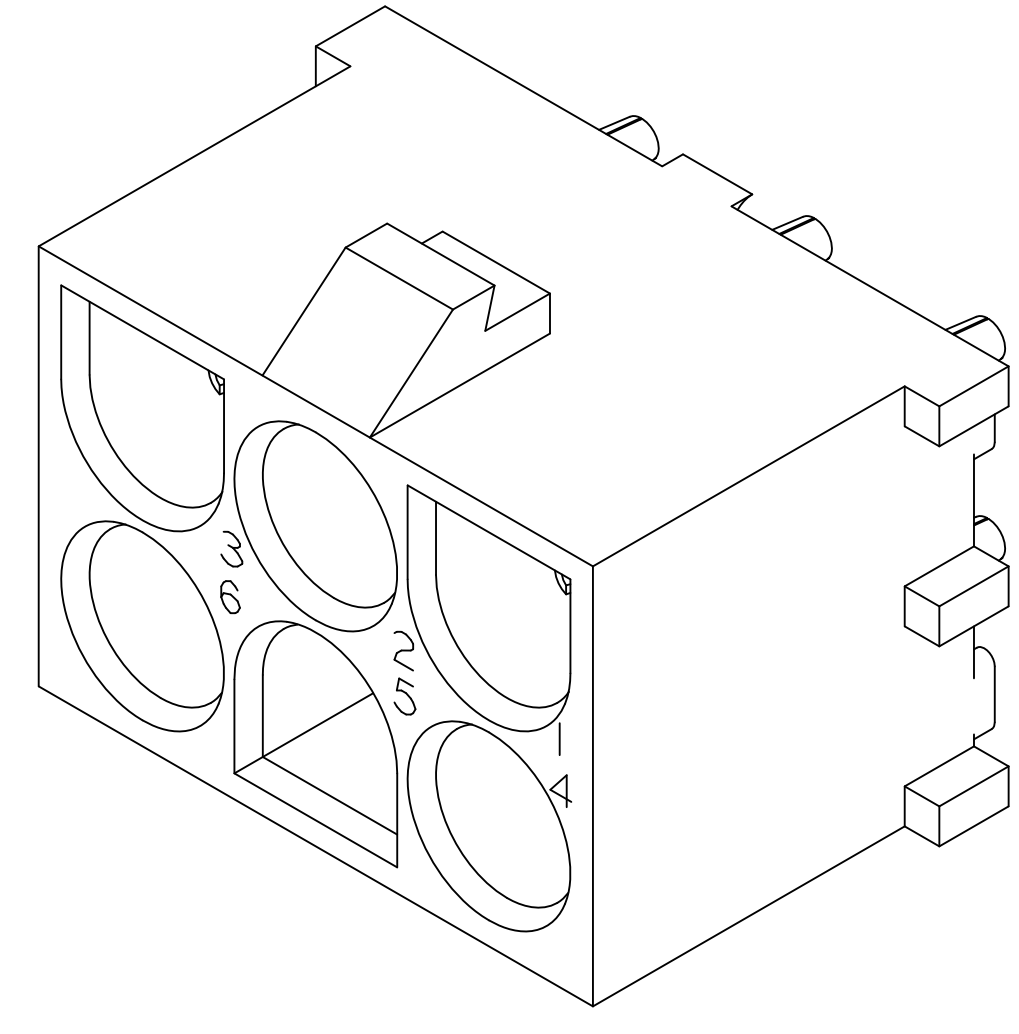
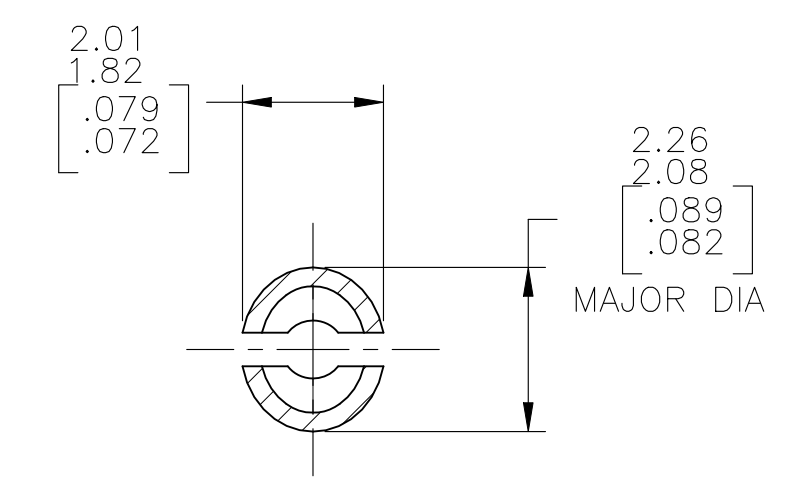
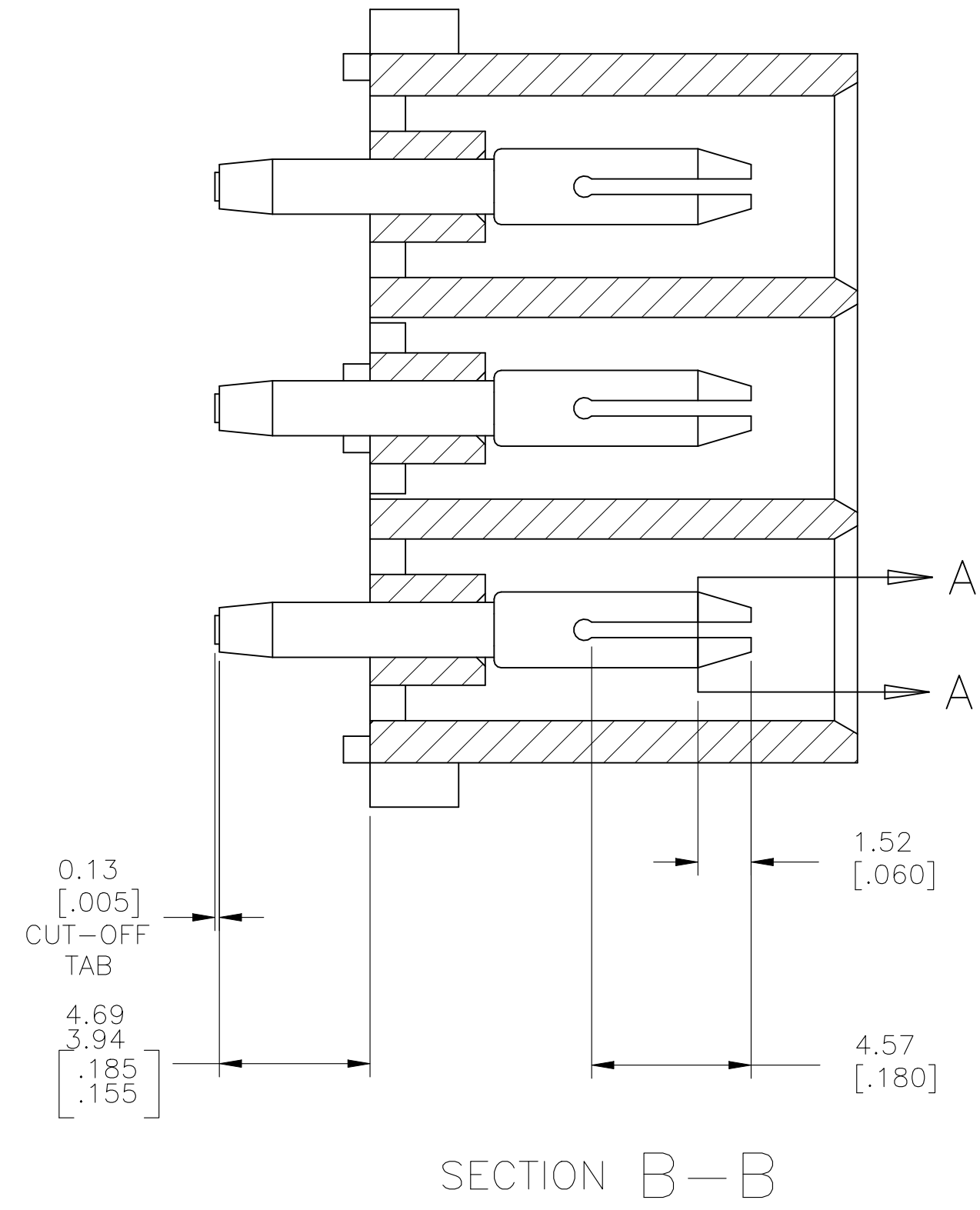
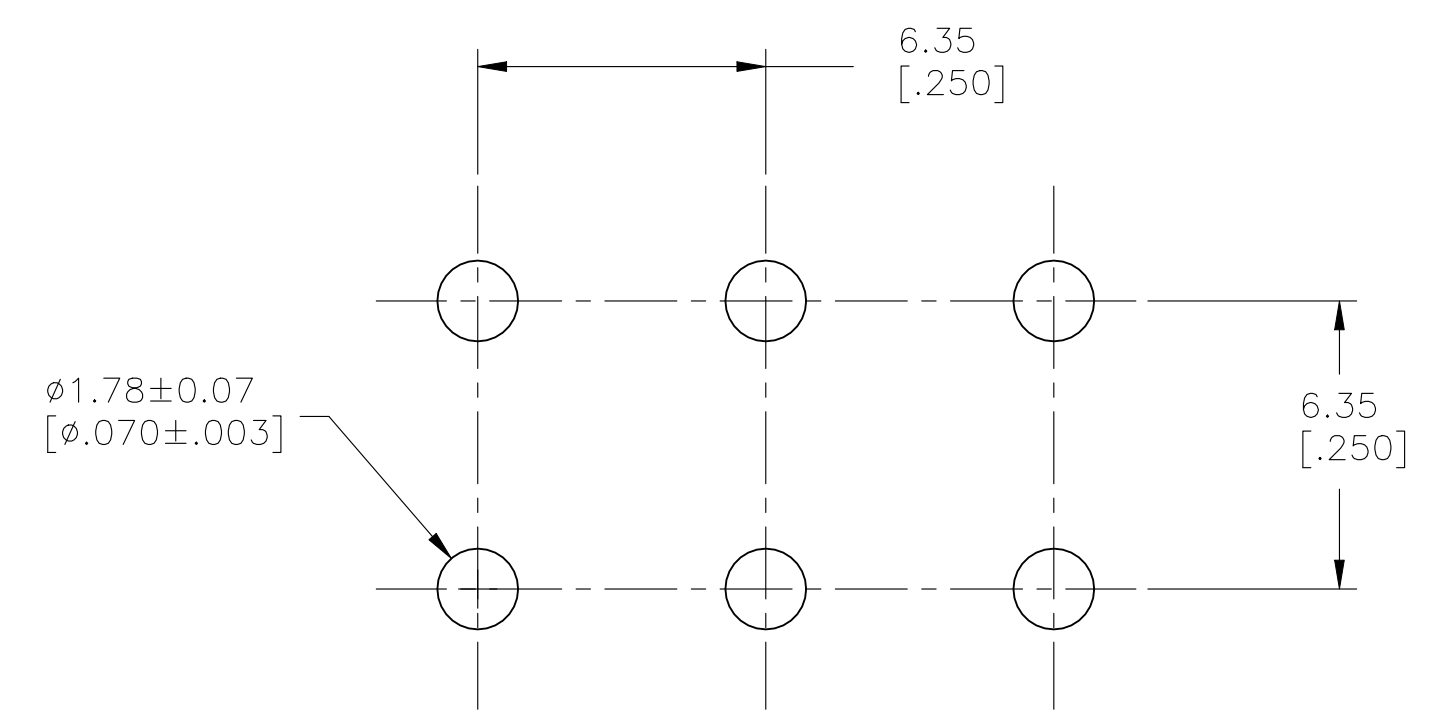


- REVISIONS
- | REV | DATE      | DESCRIPTION               | BY | APP'D |
|-----|-----------|---------------------------|----|-------|
| A2  | 02NOV2021 | REVISED PER ECR-21-119230 | SS | VS    |
- PARTS MATE WITH HOUSING 1586846
  - PARTS COMPLY TO AMP SOLDERABILITY SPECIFICATION 109-11-3.
  - CIRCUIT IDENTIFICATION CHARACTERS ARE ADJACENT TO THE INDICATED CAVITIES, BUT LOCATION AND ORIENTATION MAY DIFFER FROM PRINT.
  - FLAMMABILITY UL V-0 FOR THICKNESS 0.4, 0.45, 0.8, 1.6, AND 3.0 PER IEC 60695-11-10.
  - GLOW WIRE FLAMMABILITY (GWFI): 960°C FOR THICKNESS 0.45, 0.8, 1.6, AND 3.0 PER IEC 60695-2-12.
  - GLOW WIRE IGNITION (GWIT): 825°C FOR THICKNESS 0.45, 800°C FOR THICKNESS 0.8, 775°C FOR THICKNESS 1.6 AND 3.0 PER IEC 60695-2-13.
  - DIMENSIONS SHOWN REPRESENT PRODUCT IN DRY CONDITION. ADDITIONAL 2% GROWTH DUE TO END USE LOCATION MOISTURE ABSORPTION MAY OCCUR AND SHOULD BE ACCOUNTED FOR.



3 DIMENSIONAL MODEL  
SCALE 4:1



RECOMMENDED MOUNTING HOLE PATTERN  
FOR 1.57[.062] THICK P.C. BOARD

PHOSPOR BRONZE, PRE-TIN		NYLON, UL V-0 GW, NATURAL	1969814-1
PIN CONTACT MATERIAL AND FINISH		HOUSING MATERIAL AND COLOR	PART NUMBER
THIS DRAWING IS A CONTROLLED DOCUMENT.		DIN 28DEC2015 CDR PASVESH WARAD WICKES, EVAN 28DEC2015 APVD WICKES, EVAN 28DEC2015 NAME PRODUCT SPEC APPLICATION SPEC SIZE CAGE CODE DRAWING NO RESTRICTED TO WEIGHT 0.000000 A1 00779 C=1969814 CUSTOMER DRAWING SCALE 5:1 SHEET 1 OF 1 REV A2	
DIMENSIONS: mm [INCHES]	TOLERANCES UNLESS OTHERWISE SPECIFIED:	0. PLC ± - 1. PLC ± - 2. PLC ± 0.13[.005] 3. PLC ± - 4. PLC ± - ANGLES ± α° 30°	
MATERIAL SEE TABLE	FINISH SEE TABLE		

# Mouser Electronics

Authorized Distributor

Click to View Pricing, Inventory, Delivery & Lifecycle Information:

[TE Connectivity:](#)

[1969814-1](#)