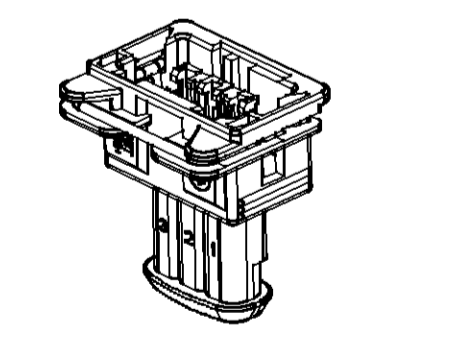


| | | | | |
|-------------|----------------------------|---------------------|--------------------------|----------------|
| 1 | PORTE-CLIPS FEMALE HOUSING | 240 I 9 005 | PBT 30% FV | BLANC WHITE |
| | | 240 I 8 005 | | GRIS GREY |
| | | 240 I 6 005 | | BLEU BLUE |
| | | 240 I 5 005 | | VERT GREEN |
| | | 240 I 1 005 | | HARRON BROWN |
| 240 I 0 005 | NOIR BLACK | | | |
| 2 | GRILLE GRID | 240 M 7 002 | PBT 0% FV | VIOLET PURPLE |
| 3 | JOINT FLAT FLAT SEAL | 240 X 0004 | SILICONE DURETE 30 Sh ±5 | ROUGE RED |
| 4 | RESSORT SPRING | 240 X 0006 | Z 12 CN 18 | / |
| REP. | DESIGNATION DESCRIPTION | REF. FCI FCI'S REF. | MATIERE MATERIAL | COULEUR COLOUR |

NOTA SPECIFICATION
 1 MASSE DU PRODUIT LIVRABLE: 7g DELIVERY CONNECTOR WEIGHT: 7g

| | | | | | | |
|-------------------|-------------------|-------------------|-------------------|-------------------|-------------------|------------------------------------|
| | | | | | | VUE F VIEW F TOLERANCE ±0/-0.10 |
| NOIR BLACK | HARRON BROWN | VERT GREEN | BLEU BLUE | GRIS GREY | BLANC WHITE | COULEUR COLOUR |
| 240 PC 03 5 0 002 | 240 PC 03 5 1 002 | 240 PC 03 5 5 002 | 240 PC 03 5 6 002 | 240 PC 03 5 8 002 | 240 PC 03 5 9 002 | REF. FCI FCI'S REF. |
| 96 238 897 80 | 96 238 898 80 | 96 238 899 80 | 96 238 900 80 | 96 238 901 80 | 96 238 902 80 | REF. PSA PSA'S REF. |



ECHELLE 1:1 SCALE 1:1
 CODAGE BLANC REPRESENTE WHITE CODING DRAW

| | | | | | | | |
|----------|----------|-----|---|---|---|---------|---|
| A 97 050 | 16/12/97 | A00 | - | - | - | FAURIE | - |
| A 04 051 | 18/12/06 | A01 | - | - | - | JU | - |
| A 07 004 | 22/01/07 | A02 | - | - | - | JU | - |
| A 07 012 | 19/03/07 | A03 | - | - | - | TECHENE | - |

| | | |
|----------|--------------|----------|
| DATE | DESCRIPTION | REVISION |
| 16/12/97 | PRELIMINAIRE | 1 |
| 18/12/06 | REVISION | 2 |
| 22/01/07 | REVISION | 3 |
| 19/03/07 | REVISION | 4 |

Archivé le 11/06/07

REF : 88565 OK7U7752A
 N° PLAN 9623889780 INDICE E PLANDE 001
 AUTOMOBILES PEUGEOT AUTOMOBILES CITROEN
 PLAN FOURNISSEUR
 DPTA/DMSP/STH 600 02/01

A

B

C

D

NOTA PLANCHE

K7.88565-.73F.9623889780.E-.P-CLIP-PLA2-8DCSJOI3V.-----

REPERTOIRE DES NORMES

PSA B21 7050 STE 9623518499 STE 9623888999

Archivé le 11/06/07

E 88565 OK7U7752A 30/05/07
 MISE A JOUR PLAN FNR :
 MISE @ JOUR TOLERANCE DE 2
 COTES.

DESS:BERTUZZI DMV/CAR/E 15/05/07
 RESP:BERTUZZI ALBERT

| | | | | |
|--|-----------------------------------|------------------|------|--------|
| 73F | P-CLIP PLAT 2,8 DCS JOINT 3V | 9623890280 | E | 03 |
| A | | | | |
| BLANC | PC03S9002 | | | |
| 73F | P-CLIP PLAT 2,8 DCS JOINT 3V | 9623890180 | E | 03 |
| A | | | | |
| GRIS | PC03S8002 | | | |
| 73F | P-CLIP PLAT 2,8 DCS JOINT 3V | 9623890080 | E | 03 |
| A | | | | |
| BLEU | PC03S6002 | | | |
| 73F | P-CLIP PLAT 2,8 DCS JOINT 3V | 9623889980 | E | 03 |
| A | | | | |
| VERT | PC03S5002 | | | |
| 73F | P-CLIP PLAT 2,8 DCS JOINT 3V | 9623889880 | E | 03 |
| A | | | | |
| MARRON | PC03S1002 | | | |
| 73F | P-CLIP PLAT 2,8 DCS JOINT 3V | 9623889780 | E | 04 |
| A | | | | |
| NOIR | PC03S0002 | | | |
| DECPSA | DESIGNATION | NUMERO PIECE | | |
| | N° DE PRODUIT FONCT N° PLAN FONCT | ISSU DE: | PLAN | PIECE |
| APPROB | | | | |
| REMARQ | N° REFERENCE FOURNISSEUR | | | INDICE |
| | CODE GRAIN | | | |
| SSR:NON TRACABILITE:NON MARQ.REGL:NON EST: | | VISA LABO: / / / | | |

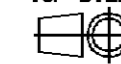
P-CLIP PLAT 2,8 DCS JOINT 3V

PLAN FOURNISSEUR

N° PLAN 9623889780 INDICE E PLANCHE T01/002 CLICHE ECHELLE 1:1

AUTOMOBILES
PEUGEOTAUTOMOBILES
CITROEN

1er DIEDRE



FORMAT

A3

PLAN FOURNISSEUR

A

B

C

D

Mouser Electronics

Authorized Distributor

Click to View Pricing, Inventory, Delivery & Lifecycle Information:

[Aptiv:](#)

[240PC03S5002](#) [240PC03S9002](#) [240PC03S6002](#) [240PC03S8002](#) [240PC03S1002](#) [240PC03S0002](#)