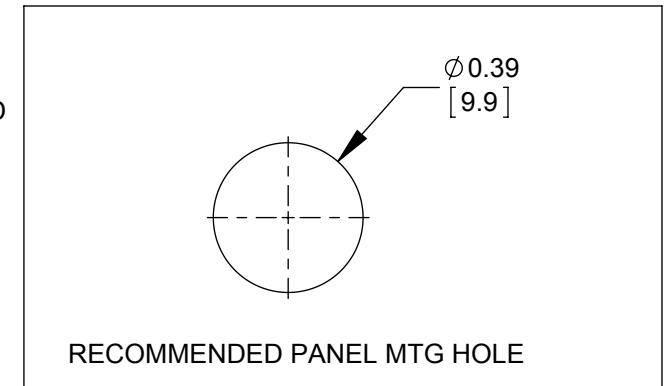
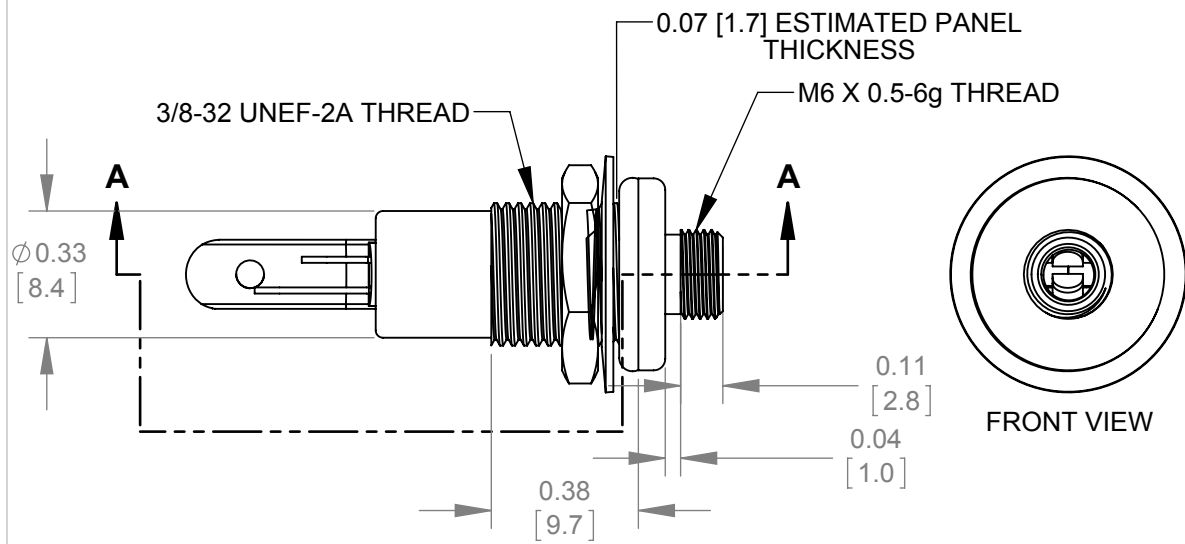


3 5 F M 3

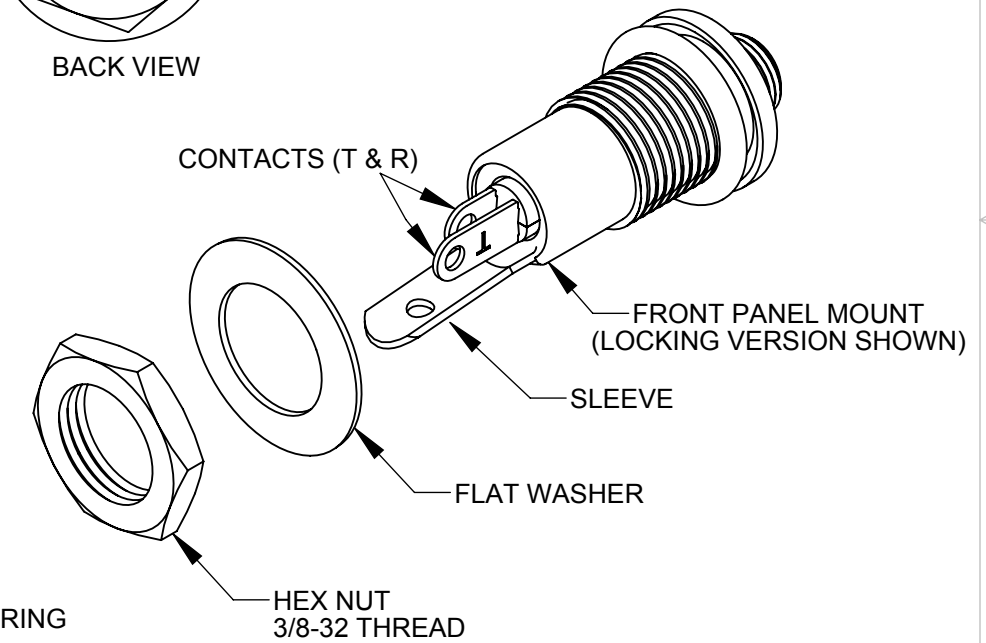
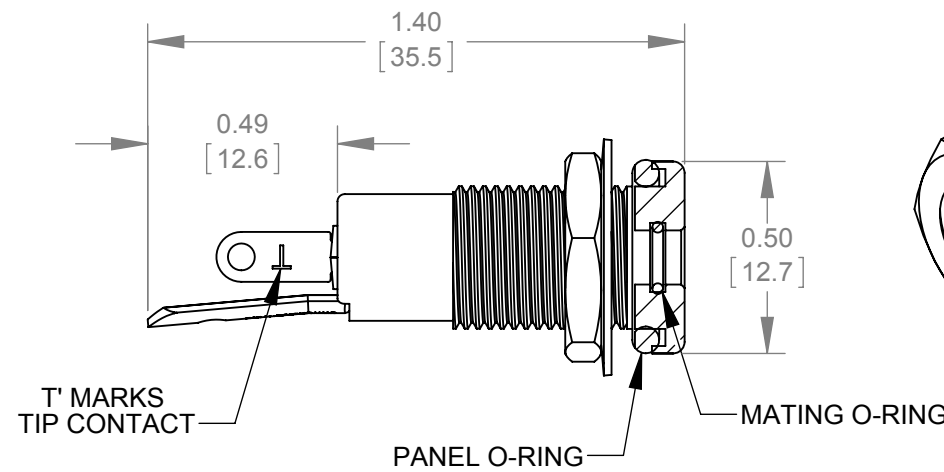
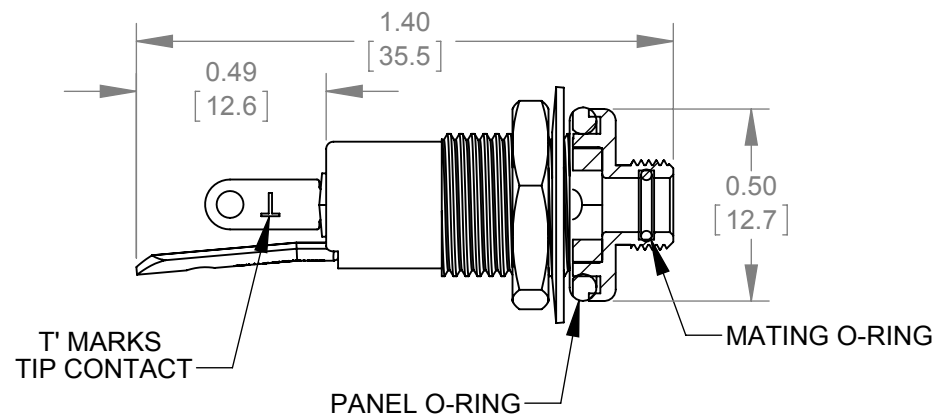
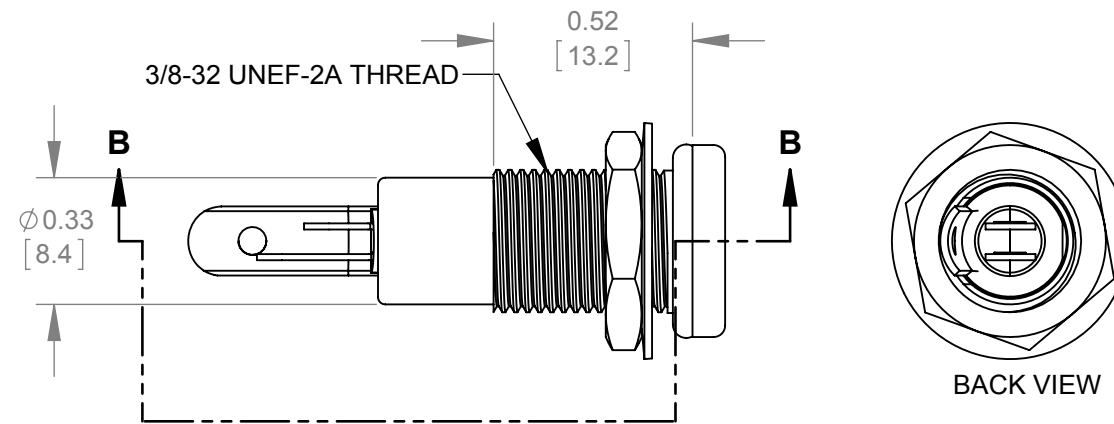
- S - SEALED
BLANK - NON SEALED
- L - LOCKING
BLANK - NON LOCKING
- AU - GOLD
BLANK - SILVER



LOCKING & SEALED ASSEMBLY SHOWN



NON LOCKING & SEALED ASSEMBLY SHOWN



NOTES:

1. USE SWITCHCRAFT'S 3.5MM LOCKING STEREO PLUG FOR MATING.
2. DIMENSIONS SHOWN FOR REFERENCE ONLY.
3. HEX NUT, WASHER AND O-RINGS ARE PROVIDED ASSEMBLED TO THE HOUSING ASSEMBLY. NO O-RINGS SUPPLIED WITH NON SEALED VERSIONS.
4. MATERIAL:
HOUSINGS, HEX NUT - COPPER ALLOY, NICKEL PLATED
FLAT WASHERS - STEEL, NICKEL PLATED
CONTACTS - BERYLLIUM COPPER, SILVER PLATED
O-RINGS - NITRILE RUBBER, 70 DUROMETER
5. THIS PRODUCT IS RoHS COMPLIANT.

**PRELIMINARY
CUSTOMER DRAWING**

					THIS DRAWING DESCRIBES A DESIGN CONSIDERED PROPRIETARY IN NATURE, DEVELOPED AND MANUFACTURED BY SWITCHCRAFT INC. AND IS RELEASED ON A CONFIDENTIAL BASIS FOR IDENTIFICATION PURPOSES ONLY.				
					SIZE *	WIDTH *	MULT *	LBS/M *	TEMPER *
					FINISH *			MATERIAL *	
					SPEC No. *			SPEC No. *	
					FIRST USED ON *		SCALE 2:1		
					DATE DRAWN	BY	CHKD	APVD	
					02/09/17	AM	*	*	
					NAME 3.5MM JACK ASSM			PART No.	
					FRONT PANEL MOUNT, RoHS			35FM3 SERIES	
					DO NOT SCALE DRAWING			REV 0A	

0A	FIRST DRAWN	02/09/17	AM	*
REV	ECO NUMBER	DATE	BY	APVD
REVISIONS				

Mouser Electronics

Authorized Distributor

Click to View Pricing, Inventory, Delivery & Lifecycle Information:

Switchcraft:

[35FM3](#) [35FM3L](#) [35FM3LS](#) [35FM3S](#) [35FM3AUL](#) [35FM3AULS](#) [35FM3AU](#)