

UKH 95 - High-current terminal block



3010013

<https://www.phoenixcontact.com/us/products/3010013>

Please be informed that the data shown in this PDF document is generated from our online catalog. Please find the complete data in the user documentation. Our general terms of use for downloads are valid.



High-current terminal block, nom. voltage: 1000 V, nominal current: 232 A, number of connections: 2, connection method: Screw connection, Rated cross section: 95 mm², cross section: 25 mm² - 95 mm², mounting type: NS 35/15, NS 32, color: gray

Your advantages

- Reliable cable connection is ensured by three-point centering of the conductor in the prismatic sleeve base
- Low contact resistance of the contact surface due to ribbing
- Screw locking by means of spring-loaded elements in the clamping part

Commercial data

Item number	3010013
Packing unit	3 pc
Minimum order quantity	3 pc
Sales key	BE13
Product key	BE1311
Catalog page	Page 195 (C-1-2019)
GTIN	4017918091835
Weight per piece (including packing)	228.5 g
Weight per piece (excluding packing)	204 g
Customs tariff number	85369010
Country of origin	IN

UKH 95 - High-current terminal block



3010013

<https://www.phoenixcontact.com/us/products/3010013>

Technical data

Notes

General	Screws with hexagonal socket
General	
Note	For a reliable contact of multi stranded conductors it is recommended to untwist multi stranded conductors.

Product properties

Product type	High current terminal block
Number of connections	2
Number of rows	1
Potentials	1

Insulation characteristics

Overvoltage category	III
Degree of pollution	3

Electrical properties

Rated surge voltage	8 kV
Maximum power dissipation for nominal condition	7.54 W

Connection data

Number of connections per level	2
Nominal cross section	95 mm ²

Level 1 above 1 below 1

Screw thread	M8
Note	Screws with hexagonal socket
Tightening torque	15 ... 20 Nm
Stripping length	33 mm
Connection in acc. with standard	IEC 60947-7-1
Conductor cross section rigid	25 mm ² ... 95 mm ²
Cross section AWG	2 ... 3/0 (converted acc. to IEC)
Conductor cross section flexible	35 mm ² ... 95 mm ²
Conductor cross section, flexible [AWG]	1/0 ... 3/0 (converted acc. to IEC)
Conductor cross-section flexible (ferrule without plastic sleeve)	35 mm ² ... 95 mm ²
Flexible conductor cross section (ferrule with plastic sleeve)	35 mm ² ... 95 mm ²
Cross-section with insertion bridge, rigid	95 mm ²
Cross-section with insertion bridge, flexible	70 mm ²
2 conductors with same cross section, solid	25 mm ² ... 35 mm ²
2 conductors with same cross section, flexible	25 mm ² ... 35 mm ²
2 conductors with same cross section, flexible, with ferrule without plastic sleeve	16 mm ² ... 35 mm ²

UKH 95 - High-current terminal block



3010013

<https://www.phoenixcontact.com/us/products/3010013>

Nominal current	232 A
Maximum load current	232 A
Nominal voltage	1000 V
Note	Note: Product releases, connection cross sections and notes on connecting aluminum cables can be found in the download area.
Nominal cross section	95 mm ²

Ex data

Rated data (ATEX/IECEX)

Identification	⊕ II 2 GD Ex eb IIC Gb
Operating temperature range	-60 °C ... 110 °C
Ex-certified accessories	1201934 VDE-ISS 6 1201659 E/AL-NS 32 1201662 E/AL-NS 35
List of bridges	Insertion bridge / EB 2-25/UKH / 0201362 Insertion bridge / EB 3-25/UKH / 0201375
Bridge data	177 A / 95 mm ²
Ex temperature increase	40 K (238.1 A / 95 mm ²)
Rated voltage	880 V
at bridging with insertion bridge	690 V
Rated insulation voltage	800 V
output	(Permanent)

Ex level General

Rated current	216 A
Maximum load current	216 A
Contact resistance	0.06 mΩ

Ex connection data General

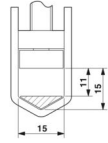
Torque range	15 Nm ... 20 Nm
Nominal cross section	95 mm ²
Rated cross section AWG	3/0
Connection capacity rigid	25 mm ² ... 95 mm ²
Connection capacity AWG	4 ... 3/0
Connection capacity flexible	35 mm ² ... 95 mm ²
Connection capacity AWG	2 ... 3/0
2 conductors with same cross section, solid	25 mm ² ... 35 mm ²
2 conductors with the same cross-section AWG rigid	4 ... 2
2 conductors with same cross section, stranded	25 mm ² ... 35 mm ²
2 conductors with the same cross-section AWG flexible	4 ... 2

Dimensions

UKH 95 - High-current terminal block

3010013

<https://www.phoenixcontact.com/us/products/3010013>

Dimensional drawing	
Width	25 mm
Height	83 mm
Depth	90 mm
Depth on NS 32	95 mm
Depth on NS 35/7,5	90 mm
Depth on NS 35/15	90 mm

Material specifications

Color	gray
Flammability rating according to UL 94	V0
Insulating material group	I
Insulating material	PA
Static insulating material application in cold	-60 °C
Relative insulation material temperature index (Elec., UL 746 B)	130 °C
Fire protection for rail vehicles (DIN EN 45545-2) R22	HL 1 - HL 3
Fire protection for rail vehicles (DIN EN 45545-2) R23	HL 1 - HL 3
Fire protection for rail vehicles (DIN EN 45545-2) R24	HL 1 - HL 3
Fire protection for rail vehicles (DIN EN 45545-2) R26	HL 1 - HL 3
Surface flammability NFPA 130 (ASTM E 162)	passed
Specific optical density of smoke NFPA 130 (ASTM E 662)	passed
Smoke gas toxicity NFPA 130 (SMP 800C)	passed

Electrical tests

Surge voltage test

Result	Test passed
--------	-------------

Temperature-rise test

Requirement temperature-rise test	Increase in temperature \leq 45 K
Result	Test passed
Short-time withstand current 95 mm ²	11.4 kA
Result	Test passed

Power-frequency withstand voltage

Test voltage setpoint	2.2 kV
Result	Test passed

Mechanical properties

General

Terminal block mounting	15 Nm ... 20 Nm
-------------------------	-----------------

UKH 95 - High-current terminal block



3010013

<https://www.phoenixcontact.com/us/products/3010013>

Mechanical data

Open side panel	No
-----------------	----

Mechanical tests

Mechanical strength

Result	Test passed
--------	-------------

Attachment on the carrier

DIN rail/fixing support	NS 32/NS 35
Result	Test passed

Test for conductor damage and slackening

Rotation speed	10 (+/- 2) rpm
Revolutions	135
Conductor cross section/weight	25 mm ² / 4.5 kg
	35 mm ² / 6.8 kg
	95 mm ² /14 kg
Result	Test passed

Environmental and real-life conditions

Needle-flame test

Time of exposure	30 s
Result	Test passed

Oscillation/broadband noise

Specification	DIN EN 50155 (VDE 0115-200):2022-06
Spectrum	Service life test category 2, bogie-mounted
Frequency	$f_1 = 5 \text{ Hz}$ to $f_2 = 250 \text{ Hz}$
ASD level	6.12 (m/s ²) ² /Hz
Acceleration	3.12g
Test duration per axis	5 h
Test directions	X-, Y- and Z-axis
Result	Test passed

Shocks

Specification	DIN EN 50155 (VDE 0115-200):2022-06
Pulse shape	Half-sine
Acceleration	5g
Shock duration	30 ms
Number of shocks per direction	3
Test directions	X-, Y- and Z-axis (pos. and neg.)
Result	Test passed

Ambient conditions

Ambient temperature (operation)	-60 °C ... 110 °C (Operating temperature range incl. self-heating;
---------------------------------	--

UKH 95 - High-current terminal block



3010013

<https://www.phoenixcontact.com/us/products/3010013>

	for max. short-term operating temperature, see RTI Elec.)
Ambient temperature (storage/transport)	-25 °C ... 60 °C (for a short time, no longer than 24 h, -60°C to +70°C)
Ambient temperature (assembly)	-5 °C ... 70 °C
Ambient temperature (actuation)	-5 °C ... 70 °C
Permissible humidity (operation)	20 % ... 90 %
Permissible humidity (storage/transport)	30 % ... 70 %

Standards and regulations

Connection in acc. with standard	IEC 60947-7-1
----------------------------------	---------------

Mounting

Mounting type	NS 35/15
	NS 32
Terminal block mounting	15 Nm ... 20 Nm

UKH 95 - High-current terminal block

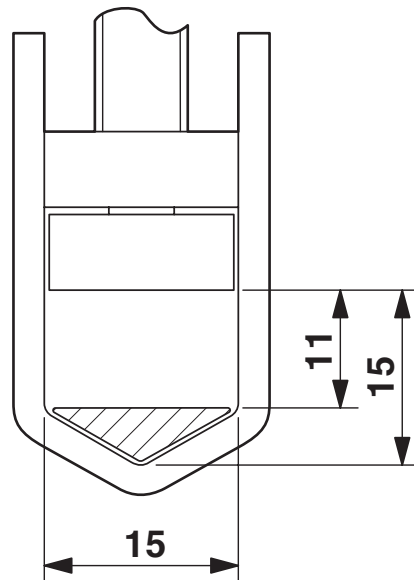
3010013

<https://www.phoenixcontact.com/us/products/3010013>

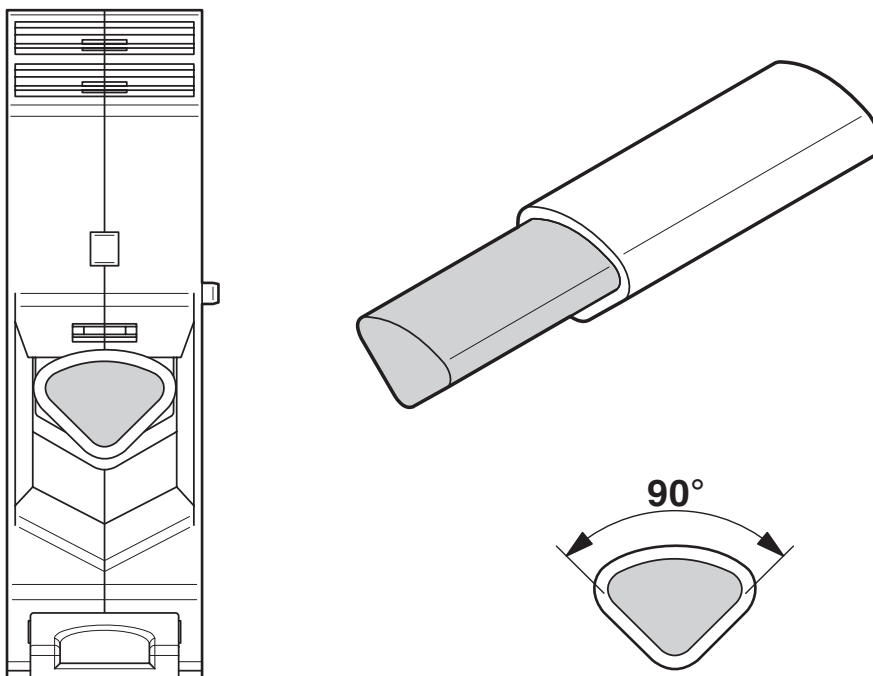


Drawings

Dimensional drawing



Schematic diagram



Connecting aluminum cables. Further notes can be found in the download area

UKH 95 - High-current terminal block

3010013

<https://www.phoenixcontact.com/us/products/3010013>



Circuit diagram



UKH 95 - High-current terminal block



3010013

<https://www.phoenixcontact.com/us/products/3010013>

Approvals

To download certificates, visit the product detail page: <https://www.phoenixcontact.com/us/products/3010013>

DNV

Approval ID: TAE00001CT



CSA

Approval ID: 13631

	Nominal voltage U_N	Nominal current I_N	Cross section AWG	Cross section mm^2
Use group B	600 V	200 A	2 - 4/0	-
Use group C	600 V	200 A	2 - 4/0	-



EAC

Approval ID: RU C-DE.BL08.B.00534



cULus Recognized

Approval ID: E60425

	Nominal voltage U_N	Nominal current I_N	Cross section AWG	Cross section mm^2
Use group B	600 V	230 A	2 - 4/0	-
Multi-conductor connection	600 V	230 A	4 - 2	-
Use group C	600 V	230 A	2 - 4/0	-
Multi-conductor connection	600 V	230 A	4 - 2	-



KEMA-KEUR

Approval ID: 71-116392

	Nominal voltage U_N	Nominal current I_N	Cross section AWG	Cross section mm^2
	1000 V	-	-	- 95



LR

Approval ID: LR2041789TA-02



ATEX

Approval ID: KEMA98ATEX1786U

UKH 95 - High-current terminal block



3010013

<https://www.phoenixcontact.com/us/products/3010013>



cUL Recognized

Approval ID: E192998

	Nominal voltage U_N	Nominal current I_N	Cross section AWG	Cross section mm^2
	600 V	230 A	2 - 4/0	-



EAC Ex

Approval ID: RU C-DE.HA91.B.00066



IECEx

Approval ID: IECEx KEM 06.0029U



UL Recognized

Approval ID: E192998

	Nominal voltage U_N	Nominal current I_N	Cross section AWG	Cross section mm^2
	600 V	230 A	2 - 4/0	-



CCC

Approval ID: 2020322313000623



UKCA-EX

Approval ID: DEKRA 21UKEX0307U

cULus Recognized

UKH 95 - High-current terminal block



3010013

<https://www.phoenixcontact.com/us/products/3010013>

Classifications

ECLASS

ECLASS-11.0	27141120
ECLASS-13.0	27250101

ETIM

ETIM 9.0	EC000897
----------	----------

UNSPSC

UNSPSC 21.0	39121400
-------------	----------

UKH 95 - High-current terminal block



3010013

<https://www.phoenixcontact.com/us/products/3010013>

Environmental product compliance

EU RoHS

Fulfills EU RoHS substance requirements	Yes, No exemptions
---	--------------------

China RoHS

Environment friendly use period (EFUP)	EFUP-E
	No hazardous substances above the limits

EU REACH SVHC

REACH candidate substance (CAS No.)	No substance above 0.1 wt%
-------------------------------------	----------------------------

EF3.0 Climate Change


CO2e kg	1.347 kg CO2e
---------	---------------

UKH 95 - High-current terminal block

3010013

<https://www.phoenixcontact.com/us/products/3010013>

Accessories

 Note: Applying some accessories below might limit this product.


EB 3-25/UKH - Insertion bridge

0201375

<https://www.phoenixcontact.com/us/products/0201375>



Insertion bridge, pitch: 25 mm, number of positions: 3, length: 39 mm, color: gray

 Max. current carrying capacity: 232 A

EB 2-25/UKH - Insertion bridge

0201362

<https://www.phoenixcontact.com/us/products/0201362>



Insertion bridge, pitch: 25 mm, number of positions: 2, color: gray

 Max. current carrying capacity: 232 A

UKH 95 - High-current terminal block

3010013

<https://www.phoenixcontact.com/us/products/3010013>



AGK 10-UKH 95 - Pick-off terminal block

3003541

<https://www.phoenixcontact.com/us/products/3003541>



Pick-off terminal block, nom. voltage: 1000 V, nominal current: 57 A, number of connections: 1, connection method: Screw connection, Rated cross section: 10 mm², cross section: 0.5 mm² - 10 mm², mounting type: on base element, color: gray

NS 32 PERF 2000MM-VPE 10 - DIN rail perforated

1201002

<https://www.phoenixcontact.com/us/products/1201002>



DIN rail perforated, Pack of 10 (20 m), acc. to EN 60715, material: Steel, galvanized, passivated with a thick layer, G profile, color: silver

UKH 95 - High-current terminal block

3010013

<https://www.phoenixcontact.com/us/products/3010013>



NS 32 UNPERF 2000MM-VPE 10 - DIN rail, unperforated

1201015

<https://www.phoenixcontact.com/us/products/1201015>



DIN rail, unperforated, Pack of 10 (20 m), acc. to EN 60715, material: Steel, galvanized, passivated with a thick layer, G profile, color: silver

NS 35/15 PERF 2000MM - DIN rail perforated

1201730

<https://www.phoenixcontact.com/us/products/1201730>



DIN rail perforated, Pack of 25 (50 m), similar to EN 60715, material: Steel, galvanized, passivated with a thick layer, Standard profile, color: silver

UKH 95 - High-current terminal block

3010013

<https://www.phoenixcontact.com/us/products/3010013>



NS 35/15 UNPERF 2000MM - DIN rail, unperforated

1201714

<https://www.phoenixcontact.com/us/products/1201714>



DIN rail, unperforated, Pack of 25 (50 m), similar to EN 60715, material: Steel, galvanized, passivated with a thick layer, Standard profile, color: silver

NS 35/15 WH PERF 2000MM - DIN rail perforated

0806602

<https://www.phoenixcontact.com/us/products/0806602>



DIN rail perforated, Pack of 25 (50 m), similar to EN 60715, material: Steel, Galvanized, white passivated, Standard profile, color: white

UKH 95 - High-current terminal block

3010013

<https://www.phoenixcontact.com/us/products/3010013>



NS 35/15 WH UNPERF 2000MM-VPE 10 - DIN rail, unperforated

1204135

<https://www.phoenixcontact.com/us/products/1204135>



DIN rail, unperforated, Pack of 10 (20 m), similar to EN 60715, material: Steel, Galvanized, white passivated, Standard profile, color: silver

NS 35/15 AL UNPERF 2000MM - DIN rail, unperforated

1201756

<https://www.phoenixcontact.com/us/products/1201756>



DIN rail, unperforated, similar to EN 60715, material: Aluminum, uncoated, Standard profile, color: silver

UKH 95 - High-current terminal block

3010013

<https://www.phoenixcontact.com/us/products/3010013>



NS 35/15 ZN PERF 2000MM - DIN rail perforated

1206599

<https://www.phoenixcontact.com/us/products/1206599>



DIN rail perforated, Pack of 25 (50 m), similar to EN 60715, material: Steel, galvanized, Standard profile, color: silver

NS 35/15 ZN UNPERF 2000MM - DIN rail, unperforated

1206586

<https://www.phoenixcontact.com/us/products/1206586>



DIN rail, unperforated, Pack of 25 (50 m), similar to EN 60715, material: Steel, galvanized, Standard profile, color: silver

UKH 95 - High-current terminal block

3010013

<https://www.phoenixcontact.com/us/products/3010013>



NS 35/15 CU UNPERF 2000MM-VPE 10 - DIN rail, unperforated

1201895

<https://www.phoenixcontact.com/us/products/1201895>



DIN rail, unperforated, Pack of 10 (20 m), similar to EN 60715, material: Copper, uncoated, Standard profile, color: copper-colored

NS 35/15 CAP - End cap

1206573

<https://www.phoenixcontact.com/us/products/1206573>

DIN rail end piece, for DIN rail NS 35/15



UKH 95 - High-current terminal block



3010013

<https://www.phoenixcontact.com/us/products/3010013>

ZB 22:UNBEDRUCKT - Zack marker strip

0811862

<https://www.phoenixcontact.com/us/products/0811862>



Zack marker strip, Strip, white, unlabeled, can be labeled with: PLOTMARK, CMS-P1-PLOTTER, mounting type: snapped, for terminal block width: 22 mm, lettering field size: 10.5 x 21.8 mm, Number of individual labels: 4

ZB 22 CUS - Zack marker strip

0824949

<https://www.phoenixcontact.com/us/products/0824949>



Zack marker strip, can be ordered: Strip, white, labeled according to customer specifications, mounting type: snap into tall marker groove, for terminal block width: 22 mm, lettering field size: 10.5 x 21.8 mm, Number of individual labels: 4

UKH 95 - High-current terminal block

3010013

<https://www.phoenixcontact.com/us/products/3010013>



ZB 22,LGS:L1-N,PE - Zack marker strip

0811875

<https://www.phoenixcontact.com/us/products/0811875>



Zack marker strip, Strip, white, labeled, printed horizontally: L1, L2, L3, N, PE, mounting type: snapped, for terminal block width: 22 mm, lettering field size: 10.5 x 21.8 mm, Number of individual labels: 50

TMT 10 R - Marker for terminal blocks

0816210

<https://www.phoenixcontact.com/us/products/0816210>



Marker for terminal blocks, Roll, white, unlabeled, can be labeled with: THERMOMARK ROLL 2.0, THERMOMARK ROLL, THERMOMARK ROLL X1, THERMOMARK ROLLMASTER 300/600, THERMOMARK X1.2, THERMOMARK S1.1, perforated, mounting type: snapped, snap into flat marker groove, for terminal block width: 10.2 mm, lettering field size: 6.35 x 10.15 mm, Number of individual labels: 10000

UKH 95 - High-current terminal block

3010013

<https://www.phoenixcontact.com/us/products/3010013>



TMT 10 R CUS - Marker for terminal blocks

0824500

<https://www.phoenixcontact.com/us/products/0824500>



Marker for terminal blocks, can be ordered: by line, white, labeled according to customer specifications, mounting type: snap into universal marker groove, snap into flat marker groove, for terminal block width: 10.2 mm, lettering field size: 6.35 x 10.15 mm

WS-4K - Warning label

1004584

<https://www.phoenixcontact.com/us/products/1004584>



Adhesive warning plate, self-adhesive, black print: lightning flash with mixed version - "Vorsicht Spannung - Attention Danger" size of label: 13 x 23.5 mm

UKH 95 - High-current terminal block

3010013

<https://www.phoenixcontact.com/us/products/3010013>



UKH 95 EP - Insertion profile

3009231

<https://www.phoenixcontact.com/us/products/3009231>



Insertion profile, color: silver

X-PEN 0,35 - Marker pen

0811228

<https://www.phoenixcontact.com/us/products/0811228>



Marker pen without ink cartridge, for manual labeling of markers, labeling extremely wipe-proof, line thickness 0.35 mm

UKH 95 - High-current terminal block

3010013

<https://www.phoenixcontact.com/us/products/3010013>



SF-THEX 6-200 - Screwdriver

1212642

<https://www.phoenixcontact.com/us/products/1212642>



T-handle screwdriver, for Allen screws, hexagonal (with chamfer), size: hex 6 x 200 mm, ergonomically shaped handle, matt chrome-plated

VDE-ISS 6 - Tool

1201934

<https://www.phoenixcontact.com/us/products/1201934>



Allen wrench, fully insulated, safety tool in accordance with EN 60900, length: 200 mm, handle width: 110 mm, for all terminal blocks with 8 mm Allen screw

UKH 95 - High-current terminal block



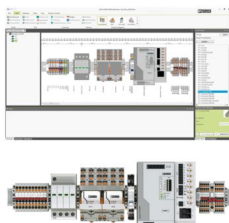
3010013

<https://www.phoenixcontact.com/us/products/3010013>

PROJECT COMPLETE - Software

1050453

<https://www.phoenixcontact.com/us/products/1050453>



Intuitive planning and marking software for configuring terminal strips and for professional marking of marking materials for terminal blocks, conductors, cables, devices, and systems. The software is available for download

Phoenix Contact 2024 © - all rights reserved

<https://www.phoenixcontact.com>

Phoenix Contact USA
586 Fulling Mill Road
Middletown, PA 17057, United States
(+717) 944-1300
info@phoenixcon.com