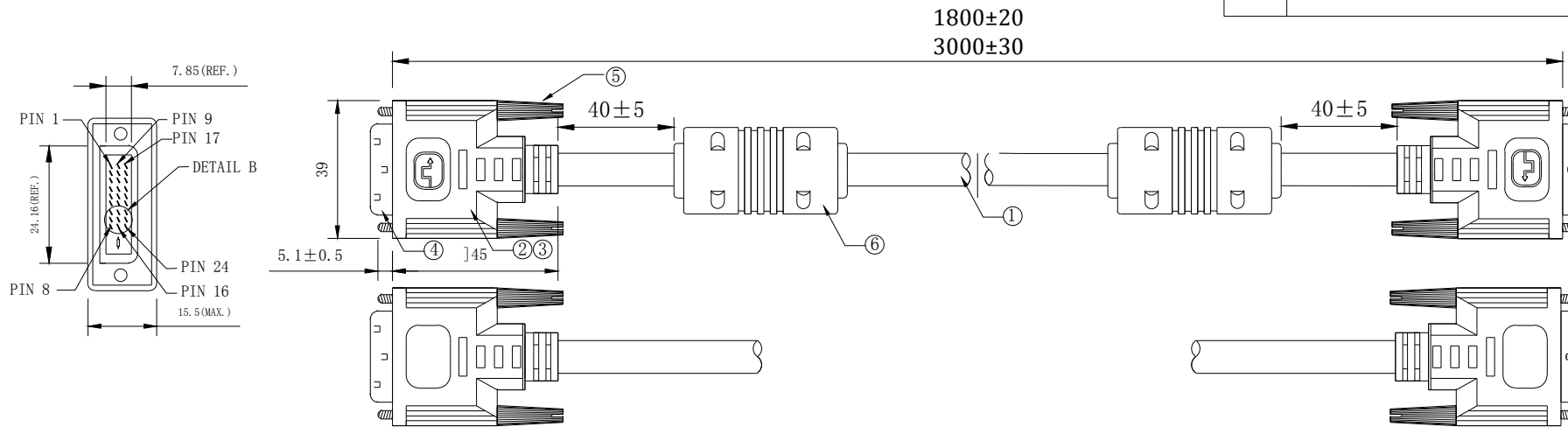
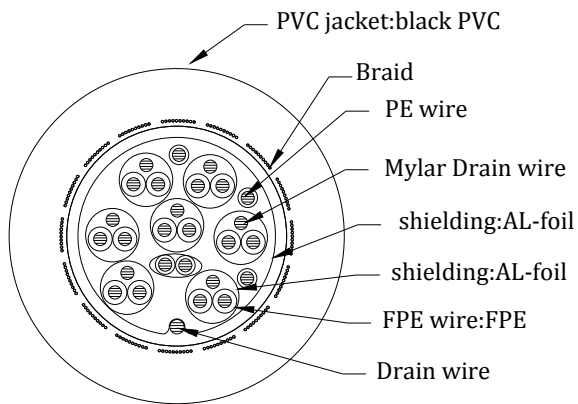


RoHS

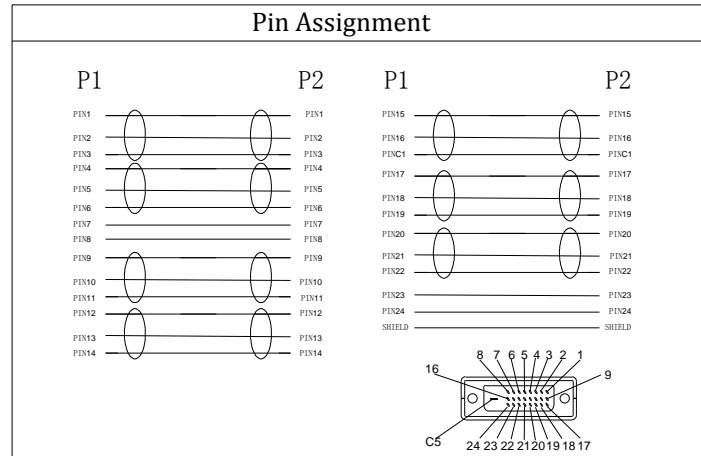
REV.	DESCRIPTION	DATE
A0		2019-02-14



Cable Specifications:



Pin Assignment



ELECTRICAL TEST:
 1. 100% OPEN & SHORT TEST
 CONTACT RESISTANCE: 5Ω(MAX.)
 2. INSULATION RESISTANCE:
 5MΩ/300VDC/10ms(MIN)

BOM LIST

NO.	SPECIFICATIONS
1	CABLE: (1P+DW+CU/MY)*7P+4C+1P+AL/MY+BD OD:8.5mm PVC Jacket, Black
2	50P PVC,color black
3	Clear PE inner molding
4	DVI 24+1 Pin connector gold plated
5	PE 32 screw 2.5*47.6mm
6	Ferrites 17.5*28*9.5mm

ITEM NUMBER	CG441GD			DRAWER	Xiang
TITLE	DVI(24+1)M/M+2FERRITE			CHECKED	
MATERIAL		SCALE		APPROVED	
REV.	A	UNIT	mm		
DRAWING NO:				VCOM INTERNATIONAL LTD.	