



X CLOSE

Rotary Potentiometer > RK119 Series > RK1191114001

11mm Size Metal Shaft Reflow Type RK119 Series

| [Dimensions](#) | [Land Dimensions](#) | [Packing Specifications](#) | [Soldering Conditions](#) |



Part number [Series Common Info](#)
RK1191114001

NET SHOP

3D CAD

RoHS

Print

Inquiry

Number of resistor elements	Single-unit
Mounting direction	Vertical type
Fixing method of bushing	Guide
Shaft types	Flat
Length of the shaft	15mm
Detent	Without
Total resistance	10kΩ
Resistance taper	1B
Switch travel	0.5mm
Operating temperature	-40℃ to +85℃

About Cookies on this site :

This site uses cookies to improve your online experience. By continuing to use this site without changing your cookie preferences, we will assume that you are agreeing to our use of cookies. For more information, visit our

Accept

Performance [Terms of Use.](#)

resistance
tolerance

Rated power 0.05W

Maximum
operating voltage 10V DC

Residual
resistance 50Ω max.

Insulation
resistance 100MΩ min. 250V DC

Voltage
proof 300V AC for 1 minute or 360V for 2s

Total
rotational angle 300°(+10, -5)°

Rotational
torque 7.5±3.5mN·m

Mechanical
Performance Stopper
strength 0.5N·m

Push-pull
strength 100N max.

Vibration 10 to 55 to 10Hz/min., the amplitude is 1.5mm for all the frequencies, in the 3 direction of X, Y and Z and for 2 hours respectively

Durability Operating
life 15,000 cycles

Specifications Contact
switches arrangement Single pole and single throw

Travel 0.5±0.3mm

Operating
force 5±2N

Operating
life 20,000 times

Ratings 0.1A 5V DC (1mA 5V DC min. rating)

Contact
resistance 100mΩ for initial period,
200mΩmax. after operating life.

About Cookies on this site :

This site uses cookies to improve your online experience. By continuing to use this site without changing your cookie preferences, we will assume that you are agreeing to our use of cookies. For more information, visit our

Accept

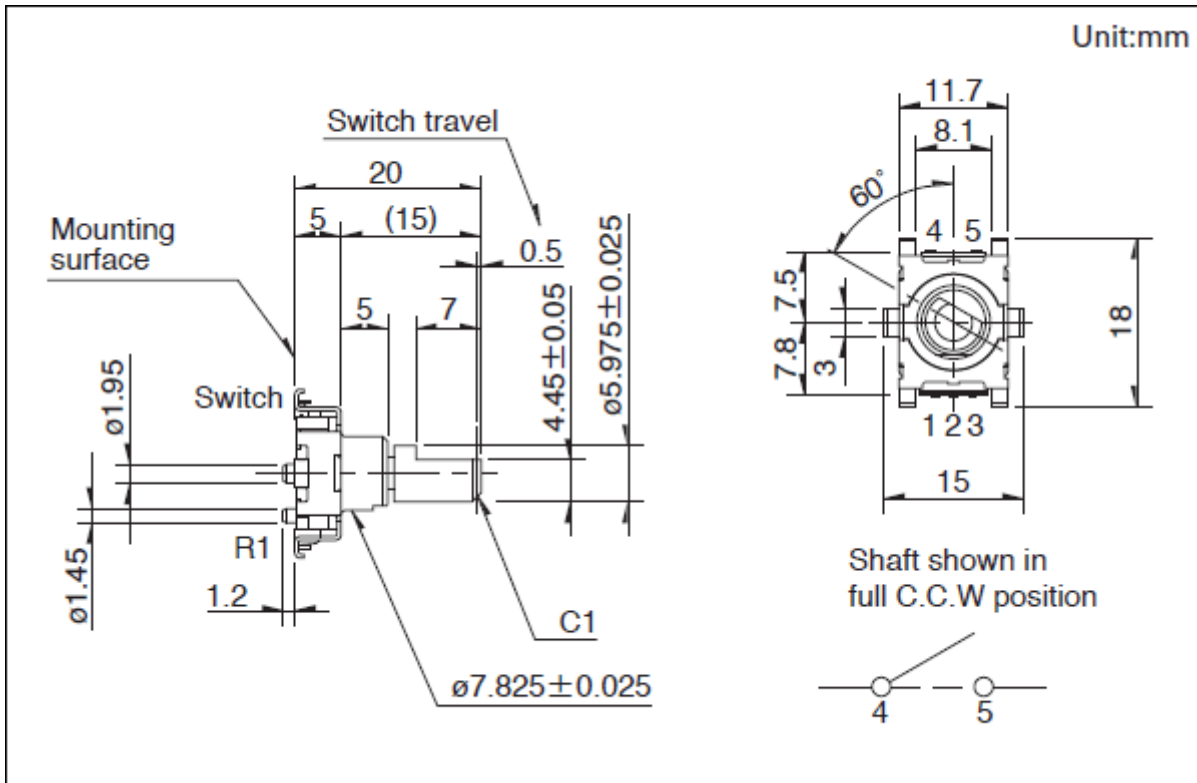
[Terms of Use](#)

Voltage proof

300V AC for 1 minute or 360V AC for 2s

Minimum order unit (pcs.) Japan 480
Export 480

Dimensions

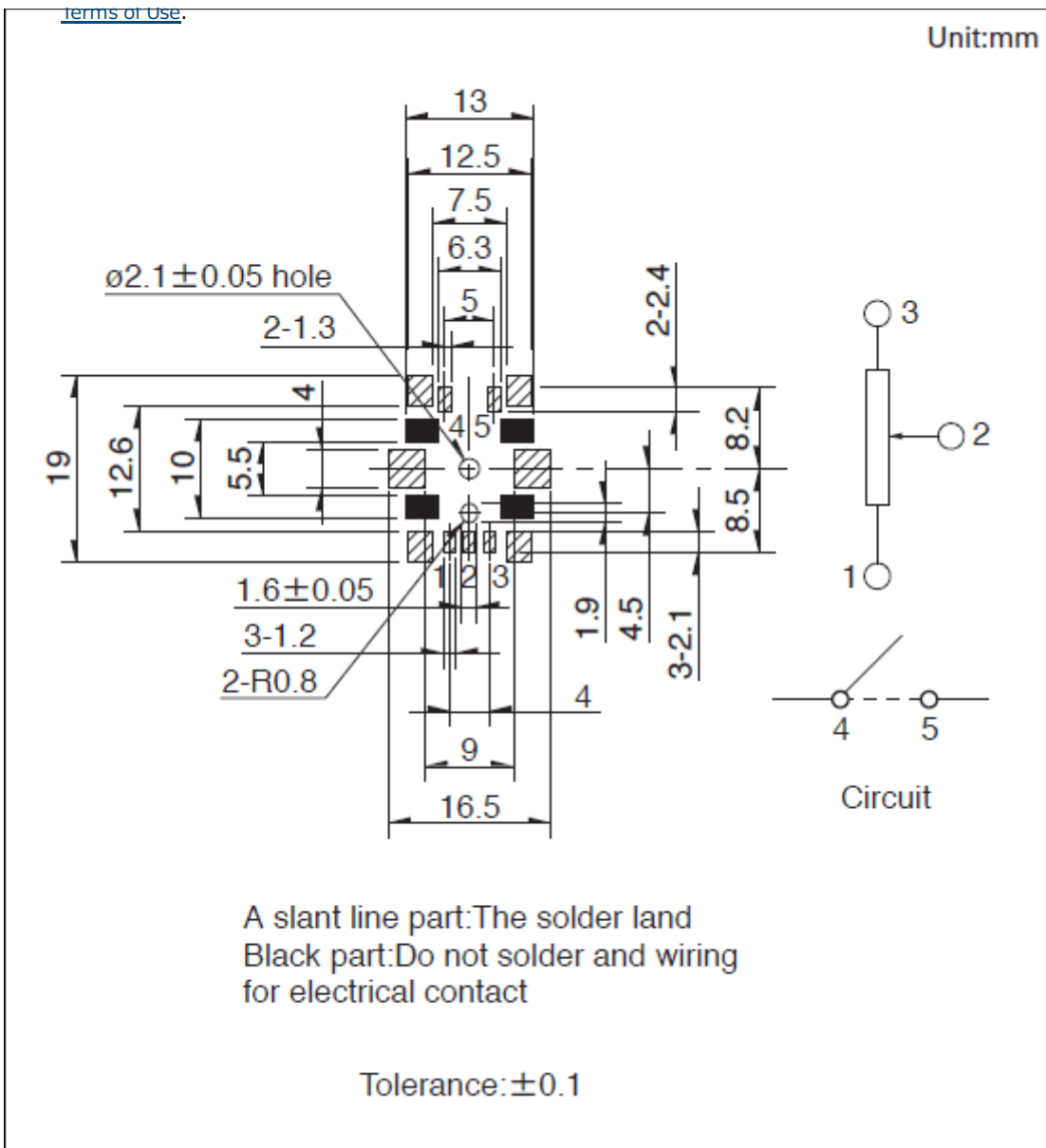


Land Dimensions

About Cookies on this site :

This site uses cookies to improve your online experience. By continuing to use this site without changing your cookie preferences, we will assume that you are agreeing to our use of cookies. For more information, visit our

Accept



Viewed from mounting side.

Packing Specifications

Tray

Number of packages (pcs.)	1 case / Japan	480
	1 case / export packing	480

Export package measurements (mm) 300×240×270

About Cookies on this site :

This site uses cookies to improve your online experience. By continuing to use this site without changing your cookie preferences, we will assume that you are agreeing to our use of cookies. For more information, visit our

Accept

[Terms of Use.](#)

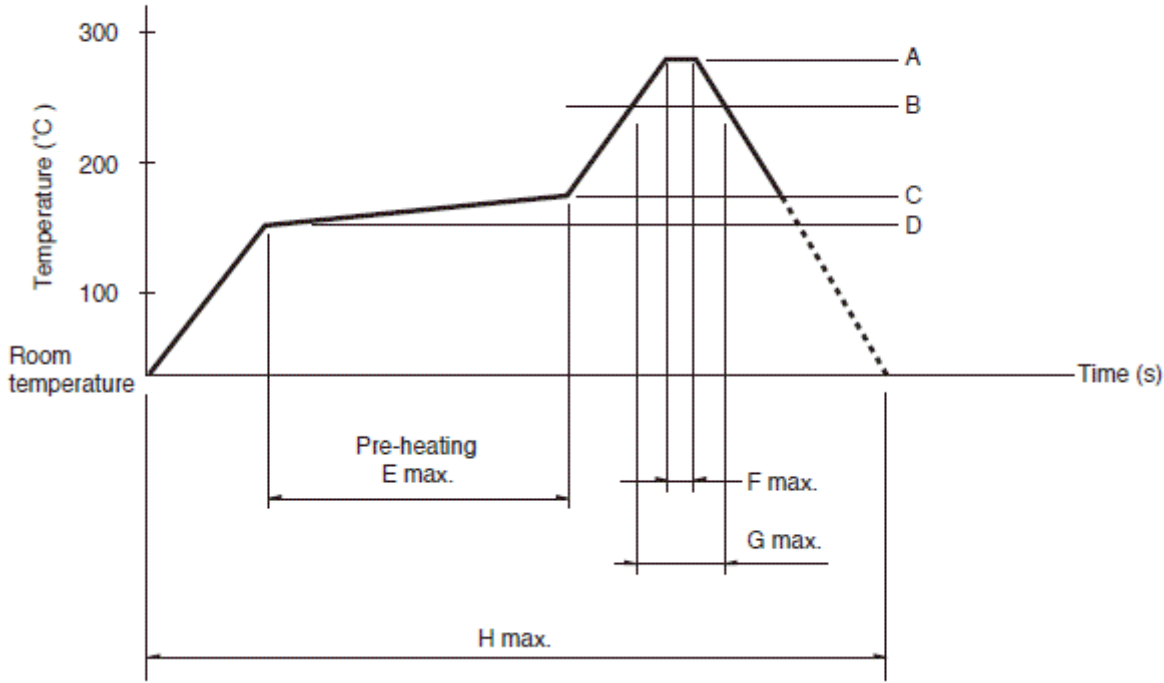
1. Heating method

Double heating method with infrared heater.

2. Temperature measurement

Thermocouple 0.1 to 0.2 Φ CA (K) or CC (T) at soldering portion (copper foil surface). A heat resisting tape should be used for fixed measurement.

3. Temperature profile



A	B	C	D	E	F	G	H	No. of reflows
260°C	230°C	180°C	150°C	2 min.	3s	40s	4 min.	2 time max.

1. When using an infrared reflow oven, solder may sometimes not be applied. Be sure to use a hot air reflow oven or a type that uses infrared rays in combination with hot air.
2. The temperatures given above are the maximum temperatures at the terminals of the potentiometer when employing a hot air reflow method. The temperature of the PC board and the surface temperature of the potentiometer may vary greatly depending on the PC board material, its size and thickness. Ensure that the surface temperature of the potentiometer does not rise to 250°C or greater.
3. Conditions vary to some extent depending on the type of reflow bath used. Be sure to give due consideration to this prior to use.

Reference for Hand Soldering

Tip temperature 350±10°C
 Soldering time 3(+1, 0)s
 No. of solders 1 time

About Cookies on this site :

This site uses cookies to improve your online experience. By continuing to use this site without changing your cookie preferences, we will assume that you are agreeing to our use of cookies. For more information, visit our

Accept

[Terms of Use.](#)

Notes are common to this series/models.

1. This site catalog shows only outline specifications. When using the products, please obtain formal specifications for supply.
2. Please place purchase orders per minimum order unit (integer).
3. Products other than those listed in above products are also available. Please contact us for details.
4. This products can be used in vehicles.
Although these products are designed to perform over a wide operating temperature range, please ensure that you receive and read the formal delivery specifications before use.

Inquiries about Products

[Inquiry](#)

COPYRIGHT© 2020 ALPS ALPINE CO., LTD

About Cookies on this site :

This site uses cookies to improve your online experience. By continuing to use this site without changing your cookie preferences, we will assume that you are agreeing to our use of cookies. For more information, visit our

Accept