



Si82XX EVALUATION BOARD USER'S GUIDE

1. Introduction

The Si823x isolated driver family combines two independent isolated drivers into a single package. The Si8230/1/3/4 are high-side/low-side drivers, and the Si8232/5/6 are dual drivers. Versions with peak output currents of 0.5 A (Si8230/1/2) and 4.0 A (Si8233/4/5/6) are available. The Si8220/21 is a high-performance functional upgrade for opto-coupled drivers, such as the HCPL-3120 and the HPCL-0302 providing 2.5 A of peak output current. These ISOdrivers utilize Silicon Laboratories' proprietary silicon isolation technology, which provides a choice of 2.5, 3.75, or 5.0 kVrms withstand voltages. All drivers operate with a maximum output supply voltage of 24 V. High integration, low propagation delay, small installed size, flexibility, and cost-effectiveness make the family ideal for a wide range of isolated MOSFET/IGBT gate drive applications.

The Si82xx evaluation board allows designers to evaluate Silicon Lab's family of ISOdrivers. The boards come populated with 5 kVrms versions of the Si8220, Si8233, Si8234, and Si8235. The board includes land pads for common surface mount and through-hole packaged FET/IGBT power transistors. The board also includes patch area for additional prototyping that can be used to accommodate any load configuration a designer might need to evaluate. For more ISOdriver information, visit Silicon Labs web site at www.silabs.com/isolation. The product data sheet and numerous application notes can be referenced to help facilitate designs.

Si82xx-EVB UG

2. Kit Contents

The Si82xx Evaluation Kit contains the following items:

- Si82xx-based evaluation board (Si82xx-EVB) shown in Figure 1.
- Si8220, Opto-input, 2.5 A, 5 kV ISOdriver
- Si8233, 2-input, 4 A, 5 kV, High-Side/Low-Side ISOdriver
- Si8234, PWM-input, 4 A, 5 kV High-Side/Low-Side ISOdriver
- Si8235, 2-input, 4 A, 5 kV Dual ISOdriver

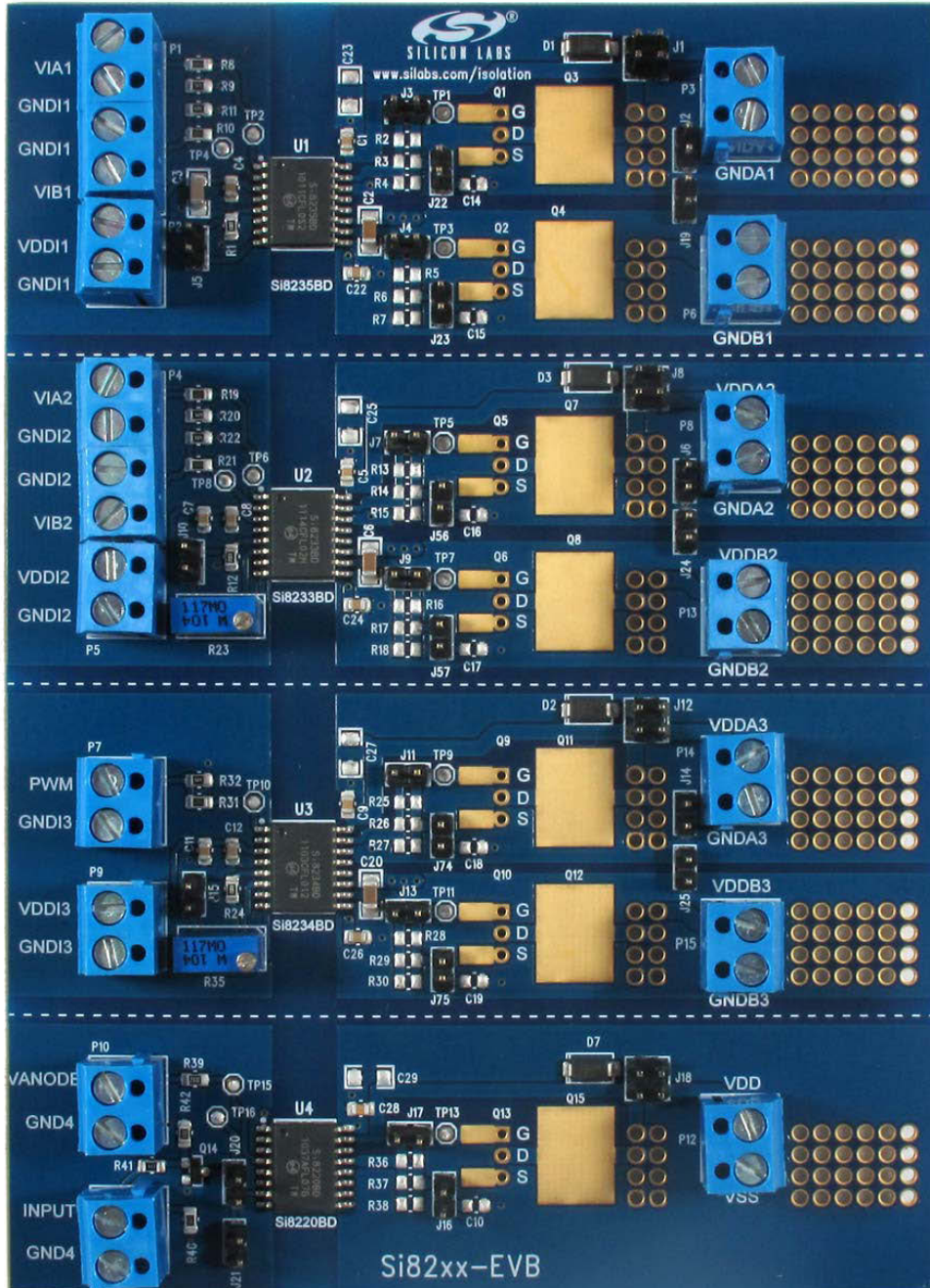


Figure 1. Si82xx Evaluation Board Overview

3. Si82xx ISOdriver Board Overview

The Si82xx evaluation board is populated with the following ISOdrivers:

- Si8220 in wide-body SOIC-16 package, opto-input, 2.5 A, 5 kV ISOdriver
- Si8233 in wide-body SOIC-16 package, 2-input, 4 A, 5 kV High-Side/Low-Side ISOdriver
- Si8234 in wide-body SOIC-16 package, PWM-input, 4 A, 5 kV High-Side/Low-Side ISOdriver
- Si8235 in wide-body SOIC-16 package, 2-input, 4 A, 5 kV Dual ISOdriver
- High-side and low-side land pads for surface mount packaged FET/IGBT power transistors (not populated)
- High-side and low-side land pads for through-hole packaged FET/IGBT power transistors (not populated)
- Patch area

The Si82xx board is four separate evaluation boards in one, with each section featuring a different ISOdriver (Si8220, Si8233, Si8234, or Si8235). Each section is isolated from the other sections and requires its own power supplies to power the given section's ISOdriver. Each section's ISOdriver is designed to be powered separately with input supplies for VDDI (5.5 V, 500 mA) and output supplies for VDDA, VDDB, or VDD up to 24 V. The user is expected to connect their desired drive-trane topology and load to the outputs of the appropriate ISOdriver and the patch area. Figure 2 shows a silkscreen overview of the board.

Please note the voltage rating for the prepopulated components in the Si82xx BOM section of this document before applying power to the ISOdriver and customer specific driver-trane. Applying a voltage to a component that is higher than its rating can cause permanent device damage. If the install components do not meet the user's requirements, these components need to be replaced before proceeding. Moreover, if a user wants to evaluate an ISOdriver in a wide-body package other than the ones populated, this can be accomplished by removing the footprint-compatible device installed on the evaluation board and replacing it with the desired footprint-compatible ISOdriver.

3.1. Si82xx ISOdriver Board Test

Figure 3 illustrates the Si8234 with VDDI powered from 5 V and VDDA and VDDB powered from 15 V. A 10 kHz signal is applied to the Si8234's PWM input. As shown, the Si8234 transmits a 10 kHz signal to VOA and VOB (Channel 3 illustrates VOA output, and Channel 2 illustrates VOB output). Note that VOA and VOB are 180° out of phase, as would be expected of a PWM driver. In this setup, no drive-trane was connected to the outputs (VOA and VOB) of the Si8234. Nevertheless, the potentiometer, R35, can be adjusted to dynamically change the dead-time of the Si8234 if desired. Duplicating this setup is an excellent test to become familiar with the evaluation board. To repeat this test, perform the following steps:

1. Install a shunting jumper to J12 (Position 1, 2).
2. Install a shunting jumper to J14.
3. Install a shunting jumper to J11.
4. Install a shunting jumper to J13.
5. Connect a 5 Vp-p square wave to P7.
6. Connect a 5 V (100 mA) supply to P9.
7. Connect a 15 V (100 mA) supply to P14.
8. Connect a 15 V (100 mA) supply to P15.
9. Connect a scope probe to TP9 to view VOA.
10. Connect a scope probe to TP11 to view VOB.

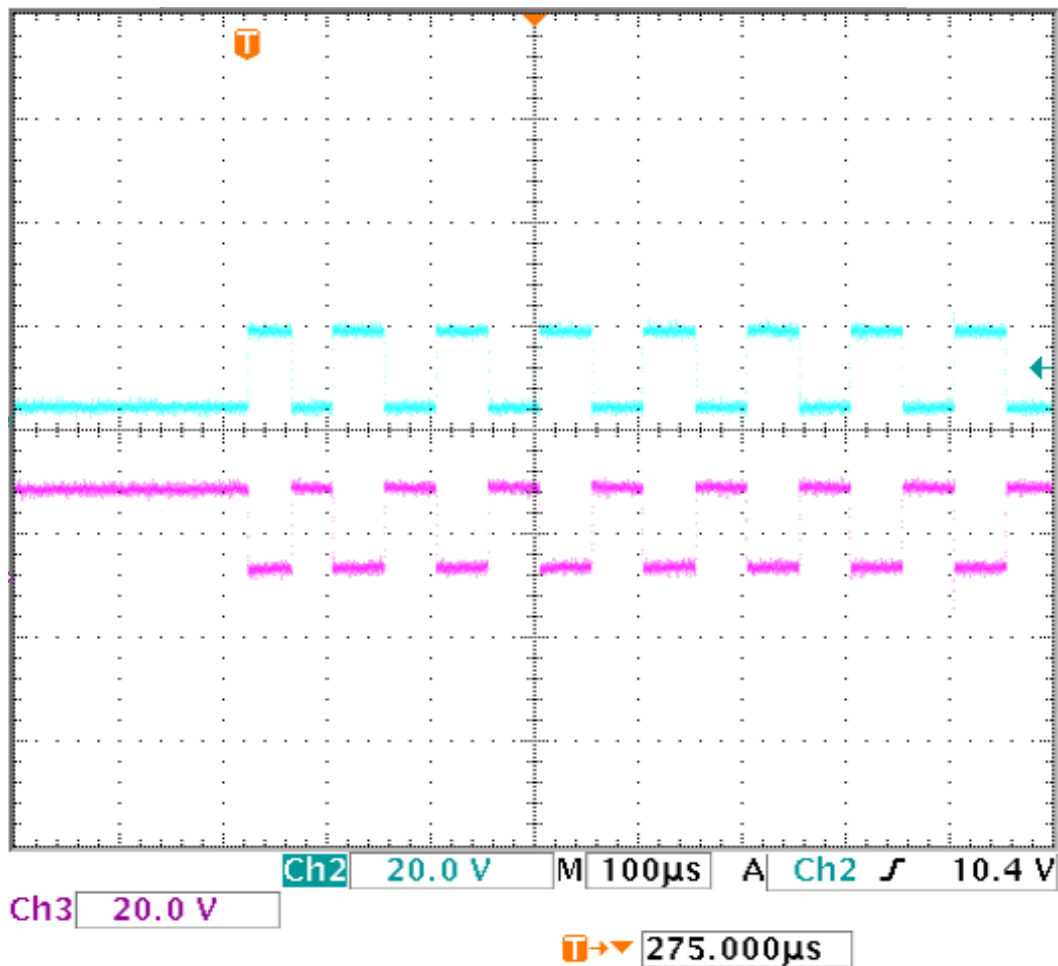


Figure 3. Si8234 PWM Outputs

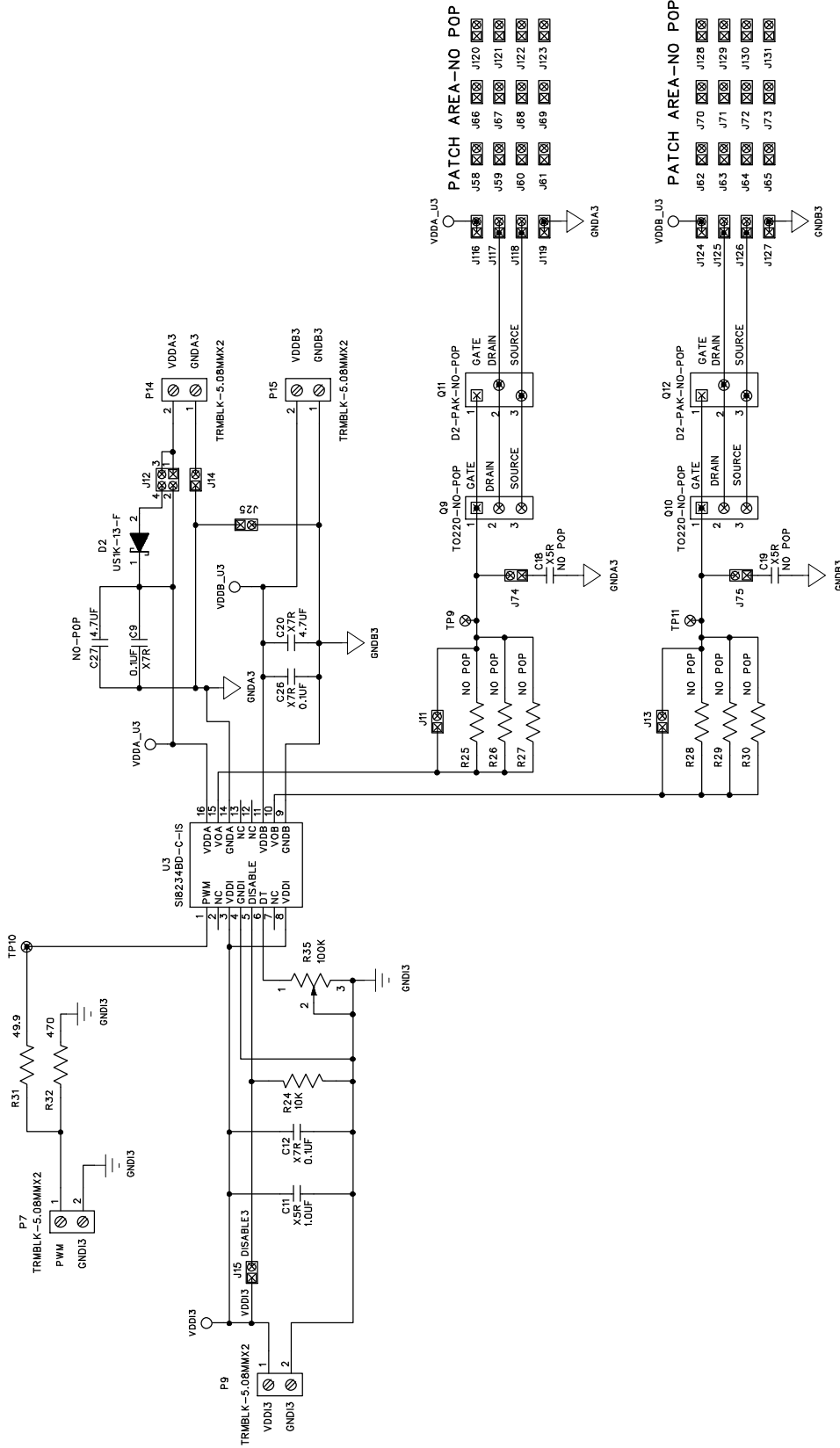


Figure 6. Si82xx Evaluation Board Schematic (3 of 4)

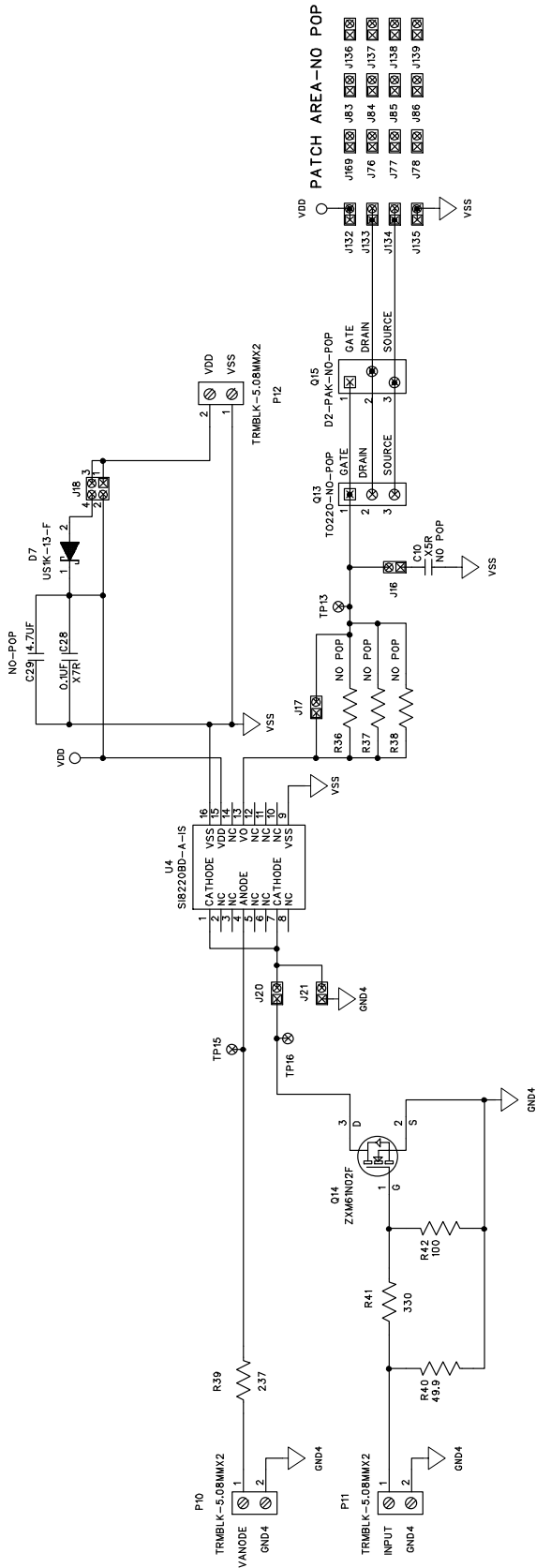


Figure 7. Si82xx Evaluation Board Schematic (4 of 4)

5. Si82xx Evaluation Board Layout

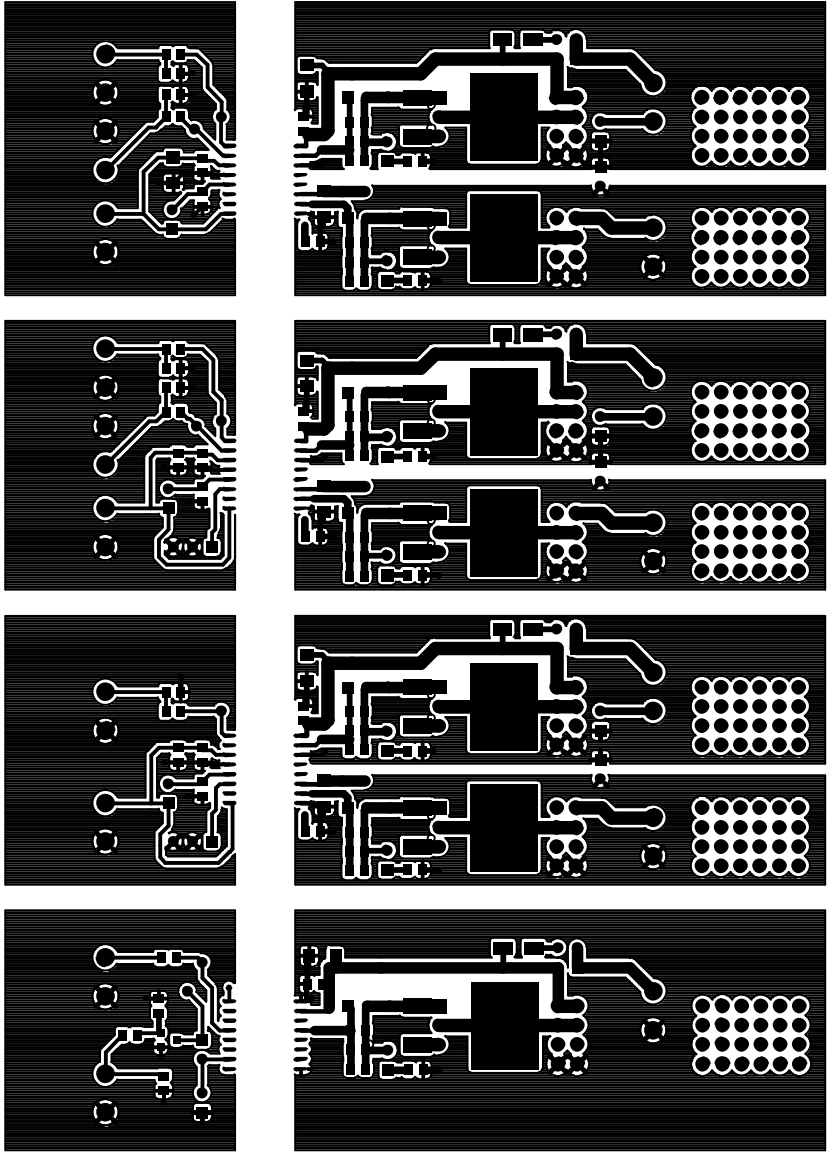


Figure 8. Si82xx Top Layer

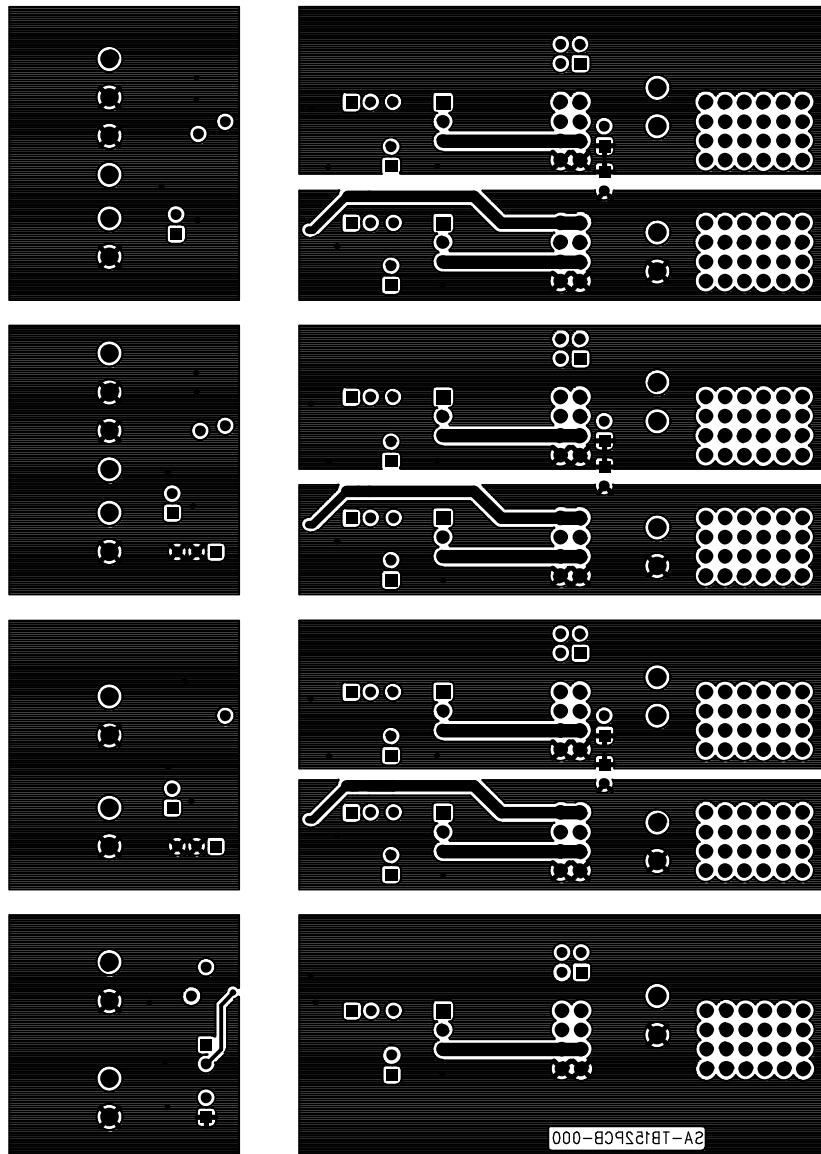


Figure 9. Si82xx Bottom Layer

Si82xx-EVB UG

6. Bill of Materials

Table 1. Si82xx-EVB Bill of Materials

| Item | Qty | Ref | Part Number | Mfr | Description |
|------|-----|--|---------------|---------------|---|
| 1 | 10 | C1, C4-5, C8-9, C12, C22, C24, C26, C28 | 311-1140-2-ND | Digikey | Cap, 0.1 μ F, X7R, Ceramic, 50 V, 0805, \pm 10%, or eq, RoHS |
| 2 | 2 | C7, C11 | PCC2249CT-ND | Digikey | Cap 1.0 μ F, X5R, Ceramic, 0805, 16 V, \pm 10%, or eq, RoHS |
| 3 | 1 | C3 | PCC1893CT-ND | Digikey | Cap 1.0 μ F, X7R, Ceramic, 1206, 25 V, \pm 10%, or eq, RoHS |
| 4 | 3 | C2, C6, C20 | 490-1809-1-ND | Digikey | Cap 4.7 μ F, X7R, Ceramic, 1206, 25 V, \pm 10%, or eq, RoHS |
| 5 | 4 | C23, C25, C27, C29 | 490-1809-1-ND | Digikey | Cap 4.7 μ F, X7R, Ceramic, 1206, 25 V, \pm 10%, or eq, RoHS, no-pop |
| 6 | 7 | C10, C14-19 | CAP 0805 | Digikey | Cap, NO POP, 0805, or eq, RoHS |
| 7 | 7 | Q3-4, Q7-8, Q11-12, Q15 | D2-PAK-NO-POP | D2-pak-no-pop | D2-PAK-NO-POP or eq, RoHS |
| 8 | 4 | D1-3, D7 | US1K-FDICT-ND | Digikey | Diode, SW ULT FAST, 1 A, 800 V, SMA, RoHS |
| 9 | 25 | J2-7, J9-11, J13-17, J19-25, J56-57, J74-75 | S1011E-02-ND | Digikey | Stake Header, 1X2, 0.1"CTR, Gold, or eq, RoHS |
| 10 | 112 | J26-55, J58-73, J76-78, J80-139, J168-169, J171 | NO-POP | None | No-pop, RoHS |
| 11 | 4 | J1, J8, J12, J18 | S2011E-02-ND | Digikey | Stake Header, 2X2, 0.1"CTR, Gold, OR Eq, RoHS |
| 12 | 2 | R23, R35 | 92W-104LF-ND | Digikey | Pot, 100 k Ω , Res, 3/8" SQ CERM SL, MT, TOP ADJ, \pm 10%, OR EQ, RoHS |
| 13 | 1 | R42 | P100ACT-ND | Digikey | Res, 100 Ω , SMT, 0805, 1/8W, \pm 5%, OR EQ, RoHS |

Table 1. Si82xx-EVB Bill of Materials (Continued)

| Item | Qty | Ref | Part Number | Mfr | Description |
|------|-----|------------------------------|----------------|--------------|--|
| 14 | 3 | R1, R12, R24 | P10.0KCCT-ND | Digikey | Res, 10.0 k Ω , SMT, 0805, 1/8 W, \pm 1%, or eq, RoHS |
| 15 | 1 | R39 | 311-237CRCT-ND | Digikey | Res 237 Ω , SMT, 0805, 1/8W, \pm 1%, or eq, RoHS |
| 16 | 1 | R41 | 311-330ARCT-ND | Digikey | Res, 330 Ω , SMT, 0805, 1/8W, \pm 5%, or eq, RoHS |
| 17 | 5 | R9, R11, R20, R22, R32 | RHM470ACT-ND | Digikey | Res, 470 Ω , SMT, 0805, 1/8W, \pm 5%, or eq, RoHS |
| 18 | 6 | R8, R10, R19, R21, R31, R40 | P49.9CCT-ND | Digikey | Res, 49.9 Ω , SMT, 0805, 1/8W, \pm 1%, or eq |
| 19 | 21 | R2-7, R13-18, R25-30, R36-38 | NO POP | Digikey | Res, no pop, SMT, 0805, or eq, RoHS |
| 20 | 1 | U4 | Si8220BD-A-IS | Silicon Labs | IC, 2.5 A, 5 kV, ISOdrivers with Opto Input, RoHS |
| 21 | 1 | U2 | Si8233BD-C-IS | Silicon Labs | 4.0 A, 5 kV, ISOdrivers, RoHS |
| 22 | 1 | U3 | Si8234BD-C-IS | Silicon Labs | IC, 4.0 A, 5 kV, ISOdrivers, RoHS |
| 23 | 1 | U1 | Si8235BD-C-IS | Silicon Labs | IC, 4.0 A, 5 kV, ISOdrivers, RoHS |
| 24 | 4 | RF1-4 | SJ5744-0-ND | Digikey | Bumpon protective, bumper , Silicone, or eq, RoHS |
| 25 | 14 | TP1-11, TP13, TP15-16 | No Pop | Digikey | Test point, PC compact, no pop, or eq, RoHS |
| 26 | 7 | Q1-2, Q5-6, Q9-10, Q13 | TO220-NO-POP | To220-no-pop | TO220-no-pop, or eq, RoHS |
| 27 | 13 | P2-3, P5-15 | 277-1236-ND | Digikey | Conn Term Block, 5.08 mm ctrs, PCB, 2 POS, RoHS |
| 28 | 2 | P1, P4 | 277-1249-ND | Digikey | Conn Term Block, 5.08 mm ctrs, PCB, 4 POS, RoHS |
| 29 | 1 | Q14 | ZXM61N02FCT-ND | Digikey | Mosfet, N-Chan, 20 V, 1.7 A, SOT23-3, RoHS |

7. Ordering Guide

Table 2. Si82xx Evaluation Board Ordering Guide

| Ordering Part Number (OPN) | Description |
|----------------------------|--|
| Si82xx-KIT | Si82xx CMOS ISOdriver evaluation board kit |

NOTES:



Smart.
Connected.
Energy-Friendly



Products
www.silabs.com/products



Quality
www.silabs.com/quality



Support and Community
community.silabs.com

Disclaimer

Silicon Laboratories intends to provide customers with the latest, accurate, and in-depth documentation of all peripherals and modules available for system and software implementers using or intending to use the Silicon Laboratories products. Characterization data, available modules and peripherals, memory sizes and memory addresses refer to each specific device, and "Typical" parameters provided can and do vary in different applications. Application examples described herein are for illustrative purposes only. Silicon Laboratories reserves the right to make changes without further notice and limitation to product information, specifications, and descriptions herein, and does not give warranties as to the accuracy or completeness of the included information. Silicon Laboratories shall have no liability for the consequences of use of the information supplied herein. This document does not imply or express copyright licenses granted hereunder to design or fabricate any integrated circuits. The products must not be used within any Life Support System without the specific written consent of Silicon Laboratories. A "Life Support System" is any product or system intended to support or sustain life and/or health, which, if it fails, can be reasonably expected to result in significant personal injury or death. Silicon Laboratories products are generally not intended for military applications. Silicon Laboratories products shall under no circumstances be used in weapons of mass destruction including (but not limited to) nuclear, biological or chemical weapons, or missiles capable of delivering such weapons.

Trademark Information

Silicon Laboratories Inc., Silicon Laboratories, Silicon Labs, SiLabs and the Silicon Labs logo, CMEMS®, EFM, EFM32, EFR, Energy Micro, Energy Micro logo and combinations thereof, "the world's most energy friendly microcontrollers", Ember®, EZLink®, EZMac®, EZRadio®, EZRadioPRO®, DSPLL®, ISOmodem®, Precision32®, ProSLIC®, SiPHY®, USBXpress® and others are trademarks or registered trademarks of Silicon Laboratories Inc. ARM, CORTEX, Cortex-M3 and THUMB are trademarks or registered trademarks of ARM Holdings. Keil is a registered trademark of ARM Limited. All other products or brand names mentioned herein are trademarks of their respective holders.



Silicon Laboratories Inc.
400 West Cesar Chavez
Austin, TX 78701
USA

<http://www.silabs.com>

Mouser Electronics

Authorized Distributor

Click to View Pricing, Inventory, Delivery & Lifecycle Information:

[Skyworks:](#)

[SI82XX-KIT](#)