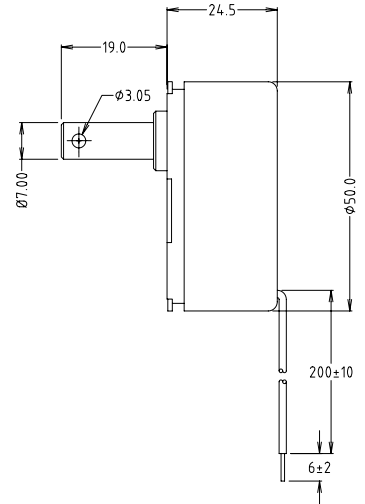
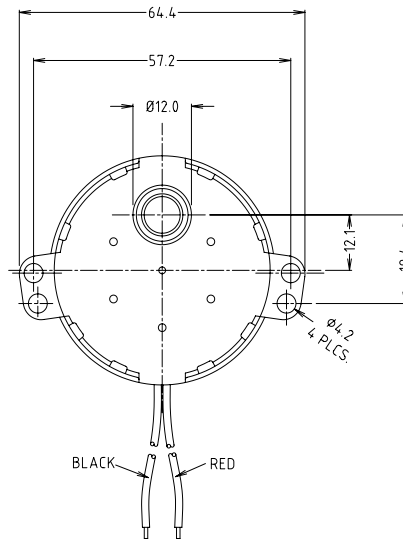
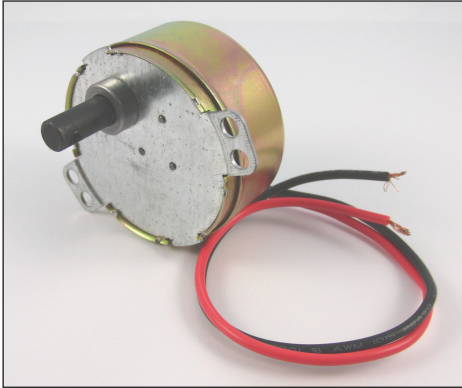


CLIFF

SYNCHRONOUS GEARMOTOR SP SERIES



Technical Data

Power	4W
Protection Rating	IP50
Operating Temperature	-20°...+80°C
Operating Voltage	220-240 VAC
Operating Frequency	50/60Hz
Connection	Stranded wires 0.2m
Housing	64.4mm.
Shaft Ø	7mm.
RoHS Complaint.	

Part No. FMJ7201FB1 **Synch Gear motor SP3** Rotation: CW

Speed	2.5/3	R.P.M.
Stall Torque	15/18	kgf-cm

Part No. FMJ7201FJ1 **Synch Gear motor SP36** Rotation: CW

Speed	30/36	R.P.M.
Stall Torque	0.6	kgf-cm

Part No. FMJ7201FJ2 **Synch Gear motor SP36** Rotation: CCW

Speed	30/36	R.P.M.
Stall Torque	0.6	kgf-cm

For further information, contact: sales@cliffuk.co.uk

Cliff Electronic Components Limited,
 76 Holmethorpe Avenue, Holmethorpe Ind. Estate,
 Redhill, Surrey RH1 2PF U.K.
 Tel: +44 (0)1737 771375 Fax: +44 (0)1737 766012



Visit us online at:

www.cliffuk.co.uk