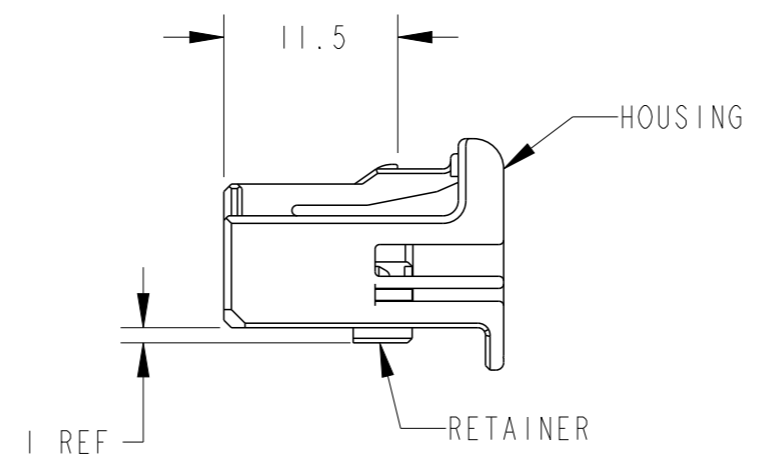
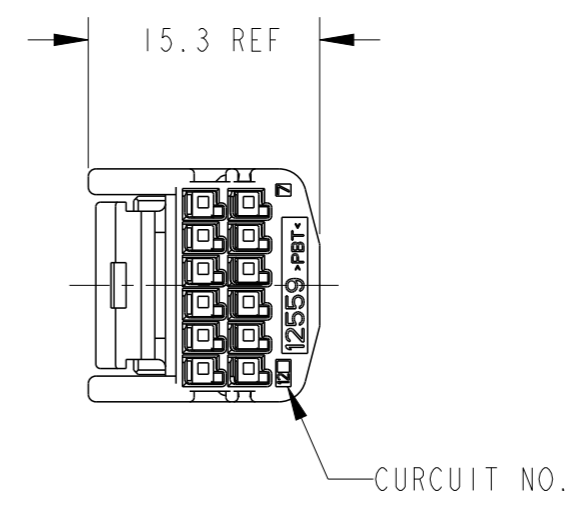
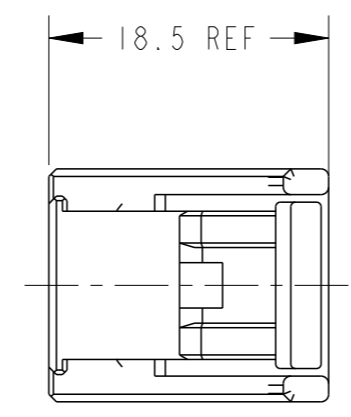
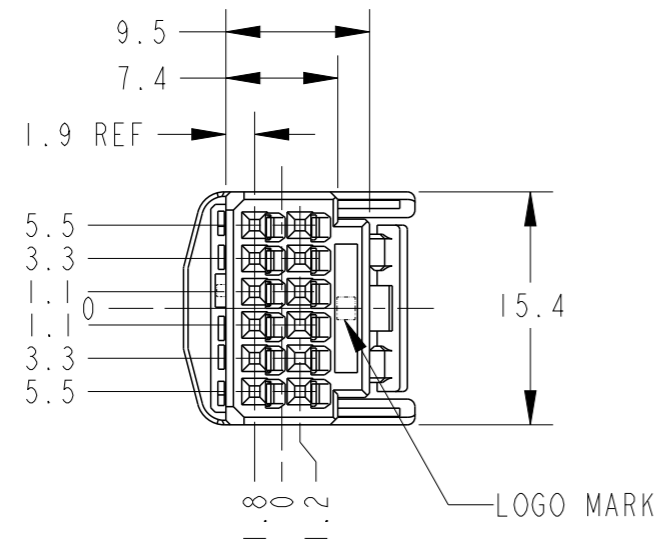


THIS DRAWING IS UNPUBLISHED. RELEASED FOR PUBLICATION  
 © COPYRIGHT BY TYCO ELECTRONICS CORPORATION. ALL RIGHTS RESERVED.

LOC	DIST	REVISIONS						
		P	LTR	DESCRIPTION	ECN	DATE	DWN	APVD
J			01	REVISED	ECR-05-013653	20OCT05	AY	HY
			02	REVISED	ECR-06-018044	28JUL06	KF	HY
			A	REVISED	ECR-10-007503	21APR10	TS	KB
			A1	REVISED	ECR-22-147888	01AUG2022	TM	TM



1. RETAINER SHOULD BE PRE-ASSEMBLED CONDITION TO HOUSING.
2. INSTRUCTION SHEET NO.411-78080.
3. PART NUMBER OF CAP HOUSING TO BE MATED : SEE TABLE-1
4. APPLIED TERMINALS : SEE TABLE-2

1. プラグハウジングにリテーナを仮係止して出荷される
2. 取扱説明書NO.411-78080
3. 嵌合相手型番 : TABLE-1参照
4. 適用端子 : TABLE-2参照

TABLE-1

POS 極数	CAP ASSEMBLY PART NO. キャップ番号
12	1318772

PACKING STYLE 梱包形態	COLOR	PART NUMBER
PAPER BOX ダンボール	GRAY	1746872-2①
PLASTIC BAG ビニール袋	BLACK	1746872-1
OUTER 外装	INNER 内装	

TABLE-2

	TERMINAL NO. 端子型番	APPLICABLE WIRE RANGE 適用電線
SIGNAL 0.64111	① 1674311-X	AVSS/CAVS/CAVUS/AVSSH-f 0.3~0.5mm <sup>2</sup>
	① 1674936-X	CAVS/CAVUS/CIVUS/CHFUS 0.22mm <sup>2</sup>
	① 1827483-X	CIVUS/CHFUS 0.13mm <sup>2</sup>

THIS DRAWING IS A CONTROLLED DOCUMENT FOR TYCO ELECTRONICS CORPORATION  
 IT IS SUBJECT TO CHANGE AND THE CONTROLLING ENGINEERING ORGANIZATION  
 SHOULD BE CONTACTED FOR THE LATEST REVISION.

DIMENSIONS: 単位: 概 mm	TOLERANCES UNLESS OTHERWISE SPECIFIED: 一般公差 ±0.3 0-PLC ± 1-PLC ± 2-PLC ± 3-PLC ± 4-PLC ± ANGLES ± 3°00'
MATERIAL 材料	FINISH 仕上
PBT	SEE TABLE

DWN Y. MITO	13AUG04	 Tyco Electronics Corporation Kawasaki, Japan
CHK H. YAMAGAMI	13AUG04	
APVD S. ISOHATA	13AUG04	
PRODUCT SPEC 製品規格	108-5931	NAME 名称 0.64111 CONNECTOR 2ROW 12POSITION PLUG ASSEMBLY SHORT BODY
APPLICATION SPEC 取付適用規格	114-5329	
WEIGHT	1.92g	SIZE A3
CUSTOMER DRAWING		CAGE CODE 00779
		DRAWING NO G-1746872
		RESTRICTED TO
		SCALE 尺度 2:1
		SHEET 1 OF 1
		REV A1