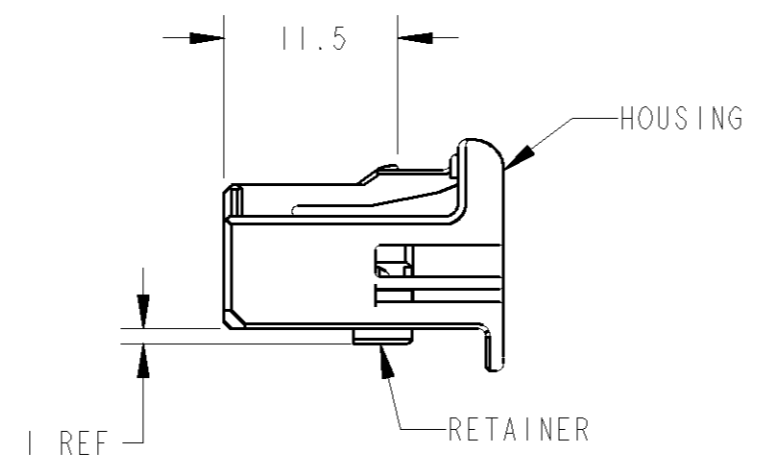
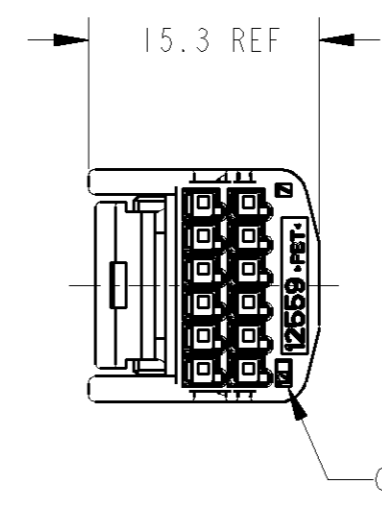
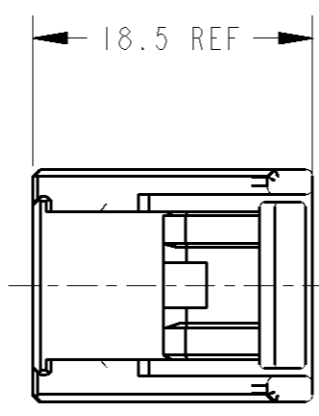
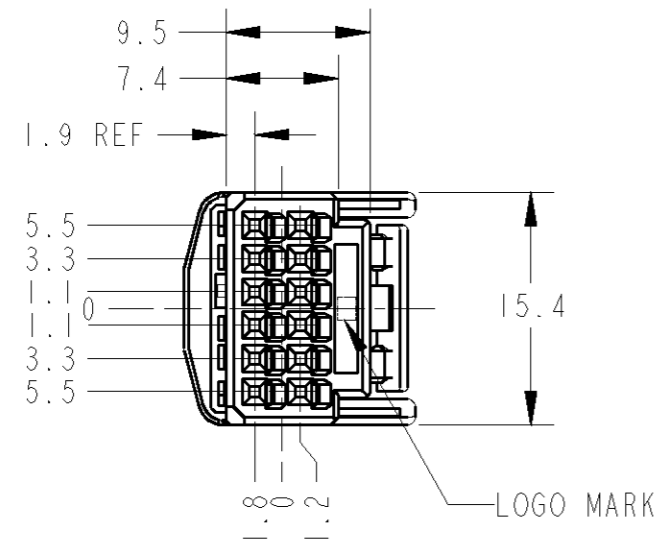


THIS DRAWING IS UNPUBLISHED. RELEASED FOR PUBLICATION
 © COPYRIGHT BY TYCO ELECTRONICS CORPORATION. ALL RIGHTS RESERVED.

LOC	DIST	REVISIONS						
		P	LTR	DESCRIPTION	ECN	DATE	DWN	APVD
J			0	RELEASED	FJA0-0387-04	13AUG04	YM	HY
			01	REVISED	ECR-05-013653	20OCT05	AY	HY
			02	REVISED	ECR-06-018044	28JUL06	KF	HY
			A	REVISED	ECR-10-007503	21APR10	TS	KB



1. RETAINER SHOULD BE PRE-ASSEMBLED CONDITION TO HOUSING.
2. INSTRUCTION SHEET NO.411-78080.
3. PART NUMBER OF CAP HOUSING TO BE MATED : SEE TABLE-1
4. APPLIED TERMINALS : SEE TABLE-2

1. プラグハウジングにリテーナを仮止して出荷される
2. 取扱説明書NO.411-78080
3. 嵌合相手型番 : TABLE-1参照
4. 適用端子 : TABLE-2参照

TABLE-1

POS 極数	CAP ASSEMBLY PART NO. キャップ番号
12	1318772

TABLE-2

		TERMINAL NO. 端子型番	APPLICABLE WIRE RANGE 適用電線
SIGNAL 0.64111	TIN	1674311-1	AVSS/CAVS/CAVUS/AVSSH-f 0.3~0.5mm ²
	SELECTIVE GOLD	1674311-2	

PACKING STYLE 梱包形態	COLOR	PART NUMBER
PAPER BOX ダンボール	GRAY	1746872-2①
PLASTIC BAG ビニール袋	BLACK	1746872-1
OUTER 外装	INNER 内装	

THIS DRAWING IS A CONTROLLED DOCUMENT FOR TYCO ELECTRONICS CORPORATION IT IS SUBJECT TO CHANGE AND THE CONTROLLING ENGINEERING ORGANIZATION SHOULD BE CONTACTED FOR THE LATEST REVISION.		DWN Y. MITO 13AUG04	Tyco Electronics Corporation Kawasaki, Japan	
DIMENSIONS: 単位: 概 mm		CHK H. YAMAGAMI 13AUG04		
TOLERANCES UNLESS OTHERWISE SPECIFIED: 一般公差 ±0.3		APVD S. ISOHATA 13AUG04	NAME 名称 0.64111 CONNECTOR 2ROW 12POSITION PLUG ASSEMBLY SHORT BODY	
		PRODUCT SPEC 製品規格 108-5931	RESTRICTED TO	
MATERIAL 材料 PBT		APPLICATION SPEC 取付適用規格 114-5329	SIZE A3	CAGE CODE 00779
FINISH 仕上 SEE TABLE		WEIGHT 1.92g	DRAWING NO C=1746872	SCALE 尺度 2:1
		CUSTOMER DRAWING	SHEET 1	OF 1
			REV A	

Mouser Electronics

Authorized Distributor

Click to View Pricing, Inventory, Delivery & Lifecycle Information:

[TE Connectivity:](#)

[1746872-1](#)