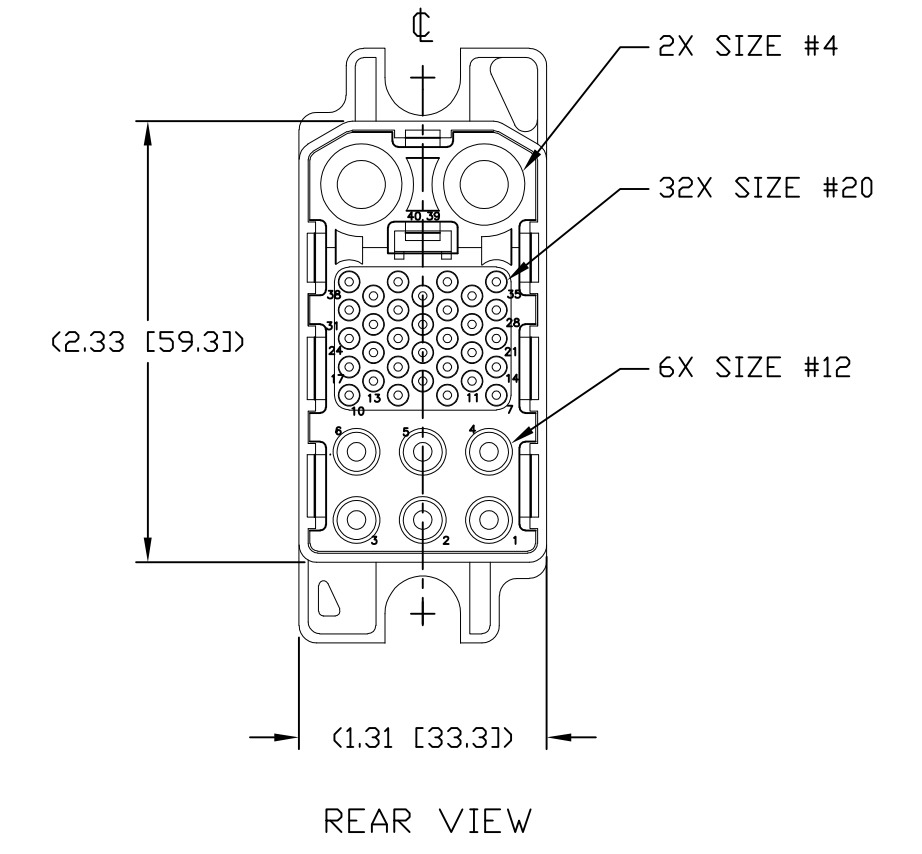
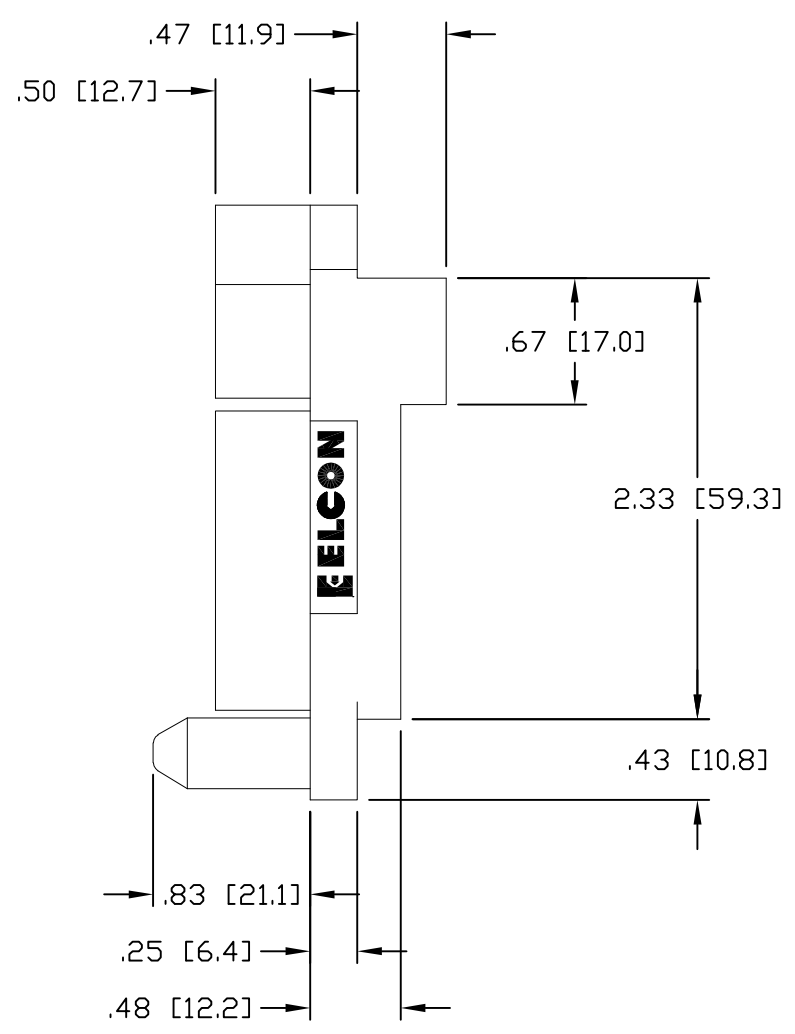
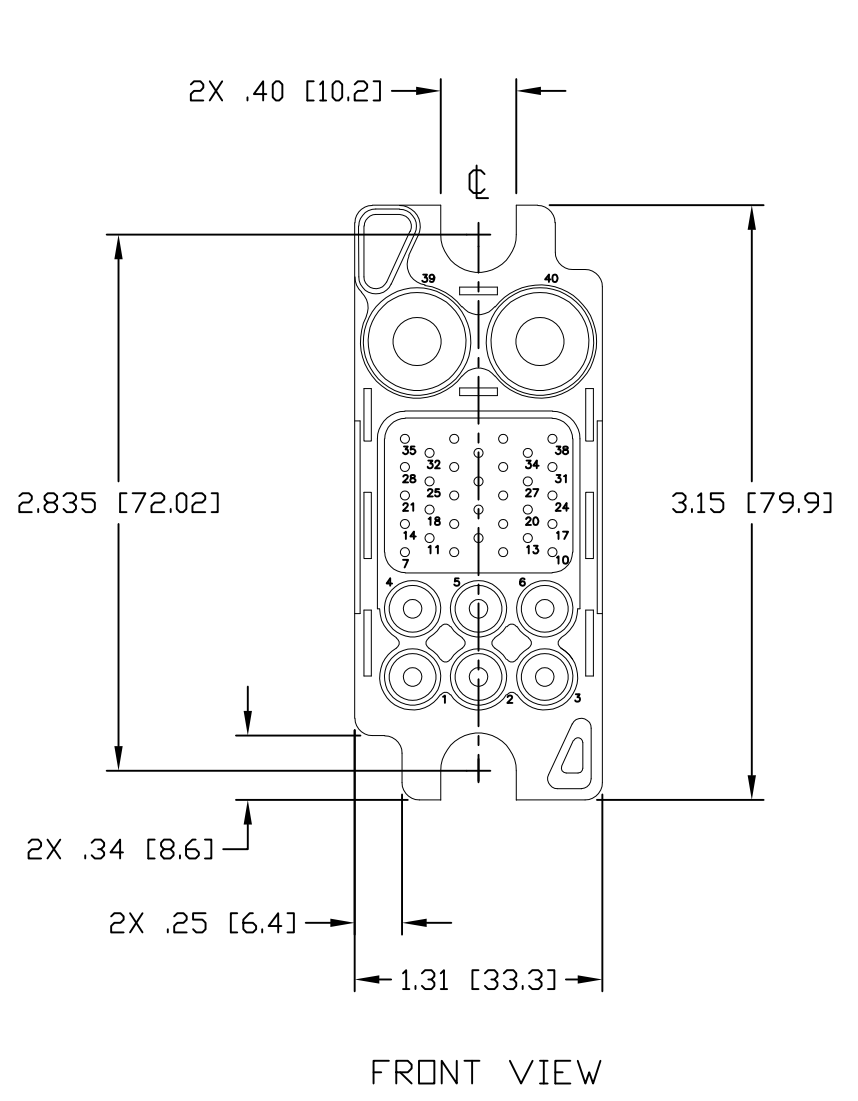
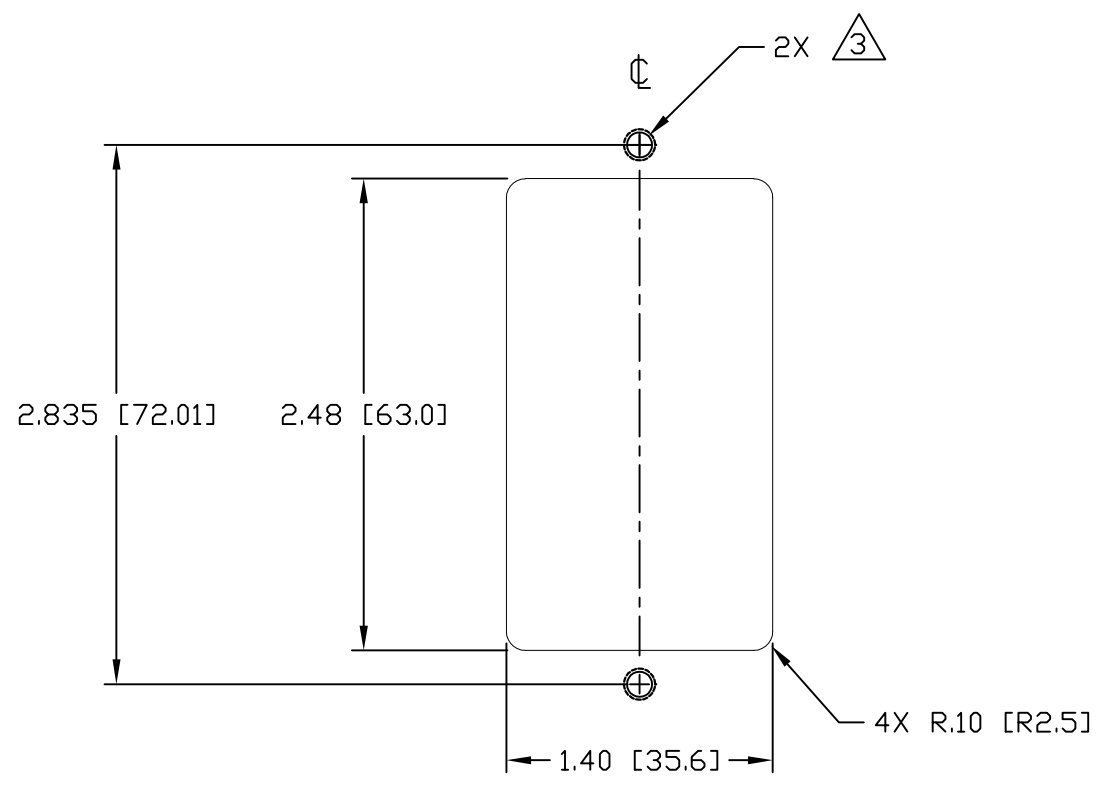




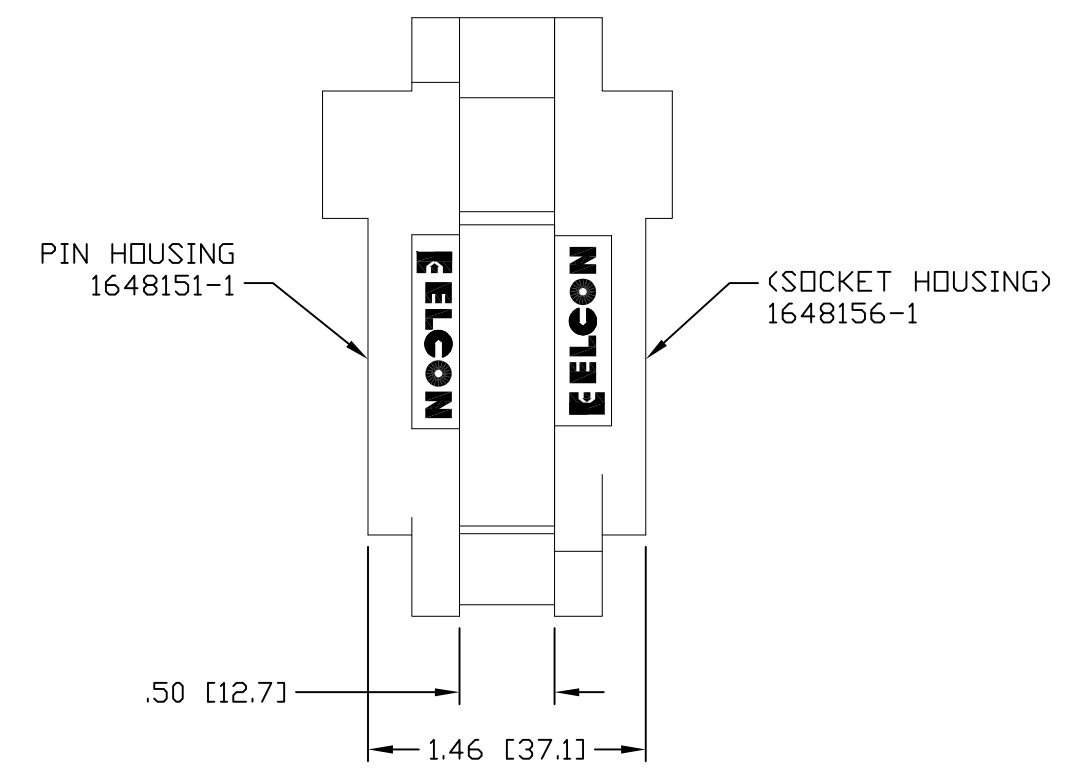
THIS DRAWING IS UNPUBLISHED.		RELEASED FOR PUBLICATION		EC	LOC	DIST	REVISIONS					
© COPYRIGHT - By -		ALL RIGHTS RESERVED.					P	LTR	DESCRIPTION	DATE	DWN	APVD
								-	SEE SHEET 1	-	-	-



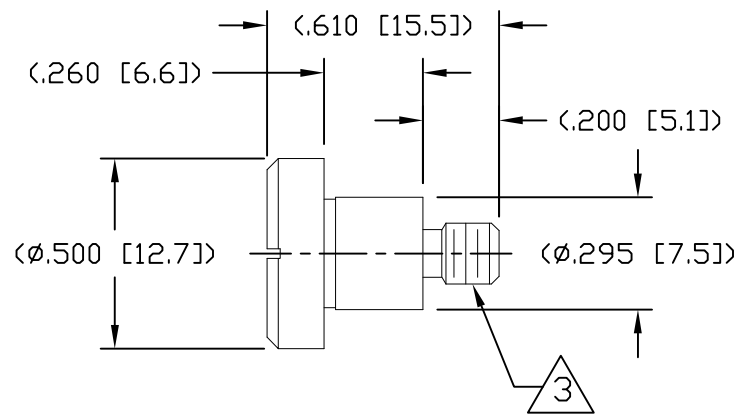
THIS DRAWING IS A CONTROLLED DOCUMENT.		DWN	HA NGUYEN		03/25/06	<b>STE</b> TE Connectivity	
DIMENSIONS: INCH(MM)		CHK					
TOLERANCES UNLESS OTHERWISE SPECIFIED:		APVD	STEVE FLICKINGER		03/25/06	NAME	
0 PLC ± -		PRODUCT SPEC				CONNECTOR, PIN HOUSING	
1 PLC ± -		APPLICATION SPEC				2X#4, 32X#20, 6X#12, FLOAT MOUNT	
2 PLC ± 0.02(0.3)						125A MIDDLE DRAWER	
3 PLC ± 0.010(0.25)		SIZE	CAGE CODE	DRAWING NO	RESTRICTED TO		
4 PLC ± -		WEIGHT	A3 00779 C-1648151				
ANGLES ± 0.5°		CUSTOMER DRAWING		SCALE	SHEET	REV	
MATERIAL				1:1	2 OF 3	A1	
FINISH							




RECOMMENDED PANEL CUTOUT  
AS VIEWED FROM CONNECTOR MOUNTING SIDE  
(FRONT VIEW)



MATED CONDITION



SHOULDER SCREW  
SCALE 2:1  
SHOWN FOR REFERENCE ONLY

THIS DRAWING IS A CONTROLLED DOCUMENT.		DWN HA NGUYEN 03/25/06	 TE Connectivity		
DIMENSIONS: INCH(MM)		CHK -			
TOLERANCES UNLESS OTHERWISE SPECIFIED:		APVD STEVE FLICKINGER 03/25/06	USER INFORMATION		
0 PLC ± - 1 PLC ± - 2 PLC ± 0.02(0.3) 3 PLC ± 0.010(0.25) 4 PLC ± - ANGLES ± 0.5°		PRODUCT SPEC -	RECOMMENDED PANEL CUTOUT AND MATED CONDITION		
MATERIAL -		FINISH -	APPLICATION SPEC -	SIZE A3	RESTRICTED TO -
		WEIGHT -	CAGE CODE 00779	DRAWING NO C-1648151	
CUSTOMER DRAWING			SCALE 1:1	SHEET 3 OF 3	REV A1

# Mouser Electronics

Authorized Distributor

Click to View Pricing, Inventory, Delivery & Lifecycle Information:

[TE Connectivity:](#)

[1648151-1](#)