

THIS DRAWING IS UNPUBLISHED.

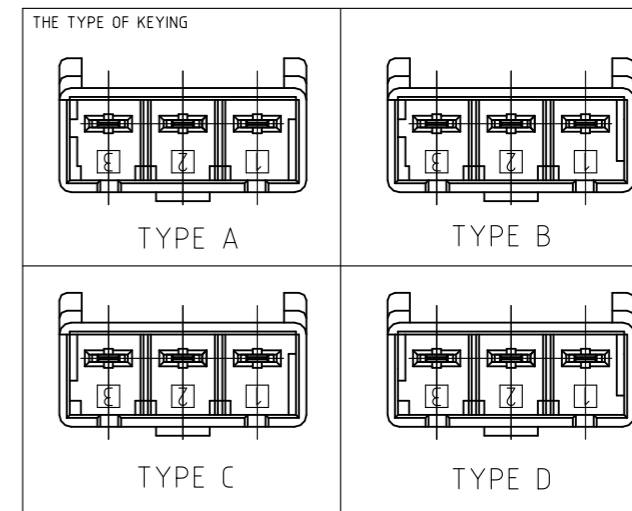
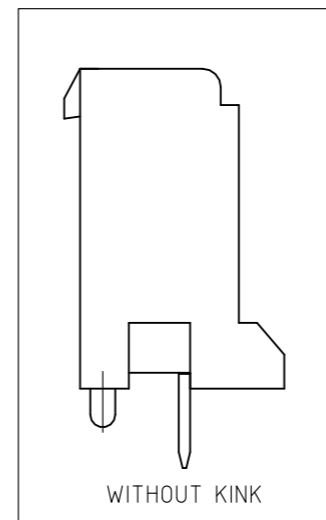
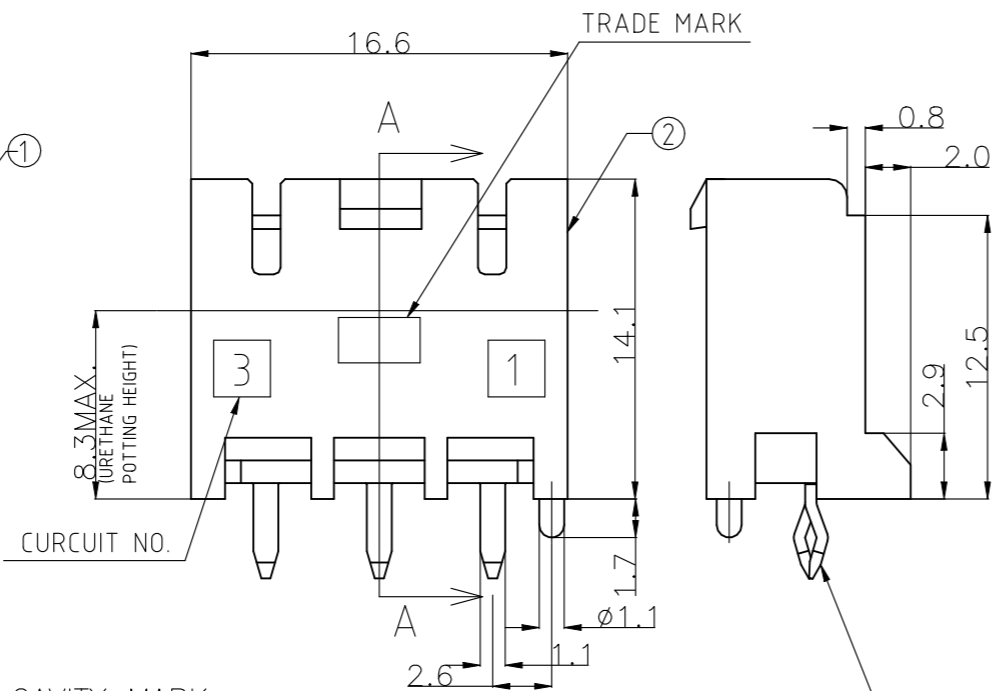
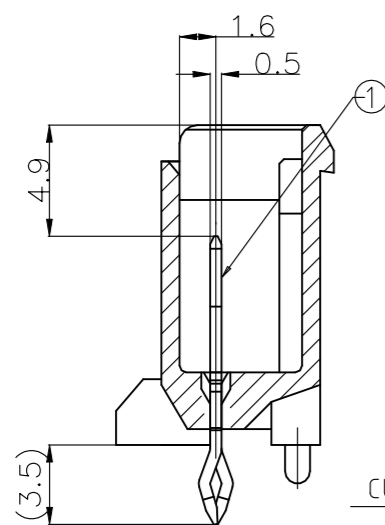
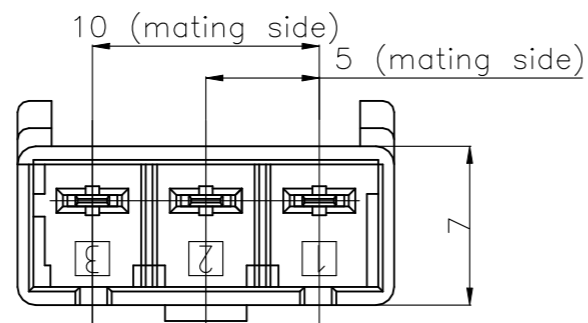
RELEASED FOR PUBLICATION

© COPYRIGHT - Tyco Electronics JAPAN G.K.

ALL RIGHTS RESERVED.

REVISIONS

P	LTR	DESCRIPTION	DATE	DWN	APVD
	H3	REVISED PER ECR-22-126744	20JAN2022	KS	DZ

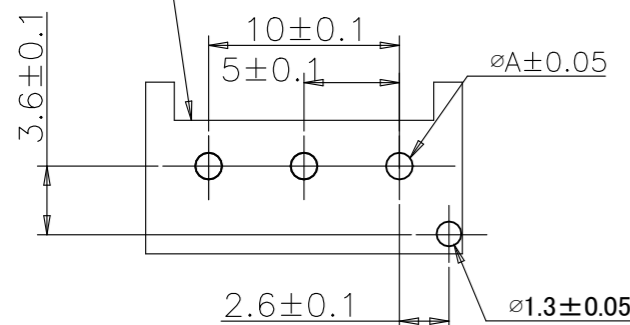


NO.	NAME	MATERIAL
②	HEADER HOUSING	6/6 NYLON GRASS FILLED/ NYLON 6
①	TAB	COPPER ALLOY TIN PLATED

SECT A-A

CAVITY MARK

CONNECTOR SHAPE



- ① RECOMMENDED P.C.B LAY OUT
- ② APPLICABLE P.C.B. THICKNESS:1.6
- ③ MATING CONN. P/N PLUG HOUSING :SEE TABLE
- ④ PARTS COMPLY WITH GLOW WIRE REQUIREMENT FOR PARTS OF NON-METALLIC MATERIAL SUPPORTING A CURRENT-CARRYING CONNECTION DETAILED IN IEC 60335-1, SECTION 30 (GWT) .
- ⑤ NYLON 6, GWT, V-2.
- ⑥ NYLON 66, GWT, V-0.
- ⑦ HIGH CURRENT RATING VERSION.

7/6	7/6	5	6	6	6	6	6	6	6	6	6	6	6	6	6	6	6	6	6
1-1376389-2	WITH KINK	TYPE B	RED	3Pos	1-1376383-6														
1376389-1	WITH KINK	TYPE A	NATURAL	3Pos	1376383-6														
1376389-5	WITH KINK	TYPE A	NATURAL	3Pos	1376383-5														
3-1376389-4	WITHOUT KINK	TYPE D	YELLOW	3Pos	8-1376383-4														
2-1376389-3	WITHOUT KINK	TYPE C	BLUE	3Pos	7-1376383-3														
1-1376389-2	WITHOUT KINK	TYPE B	RED	3Pos	6-1376383-2														
1376389-1	WITHOUT KINK	TYPE A	NATURAL	3Pos	5-1376383-1														
3-1376389-4	WITH KINK	TYPE D	YELLOW	3Pos	3-1376383-4														
2-1376389-3	WITH KINK	TYPE C	BLUE	3Pos	2-1376383-3														
1-1376389-2	WITH KINK	TYPE B	RED	3Pos	1-1376383-2														
1376389-1	WITH KINK	TYPE A	NATURAL	3Pos	1376383-1														

MATING CONN. P/N	WITH/WITHOUT KINK	TYPE OF KEYING	Color	Pos	PART NO.
③					

PUNCHING	1.25
DRILLING	1.4
DIM A	

RECOMMENDED PCB HOLES

THIS DRAWING IS A CONTROLLED DOCUMENT.	
DIMENSIONS: mm	TOLERANCES UNLESS OTHERWISE SPECIFIED:
	0 PLC ± 0.2
	1 PLC ±
	2 PLC ±
	3/PLC ±
	4 PLC ANGLES ±
MATERIAL SEE TABLE	FINISH -

DWN A.OISHI 28AUG'00	CHK Y.KASHIWA 28AUG'00	APVD Y.KASHIWA 28AUG'00
PRODUCT SPEC 108-5699		
APPLICATION SPEC 114-5292		
WEIGHT -	CUSTOMER DRAWING	

STE TE Connectivity			
5.0 POWER KEY CONNECTOR 3P HEADER ASSEMBLY			
SIZE A3	CAGE CODE 00779	DRAWING NO C-1376383	RESTRICTED TO -
SCALE 3:1		SHEET 1 OF 1	REV H3

Mouser Electronics

Authorized Distributor

Click to View Pricing, Inventory, Delivery & Lifecycle Information:

[TE Connectivity:](#)

[1-1376383-2](#)