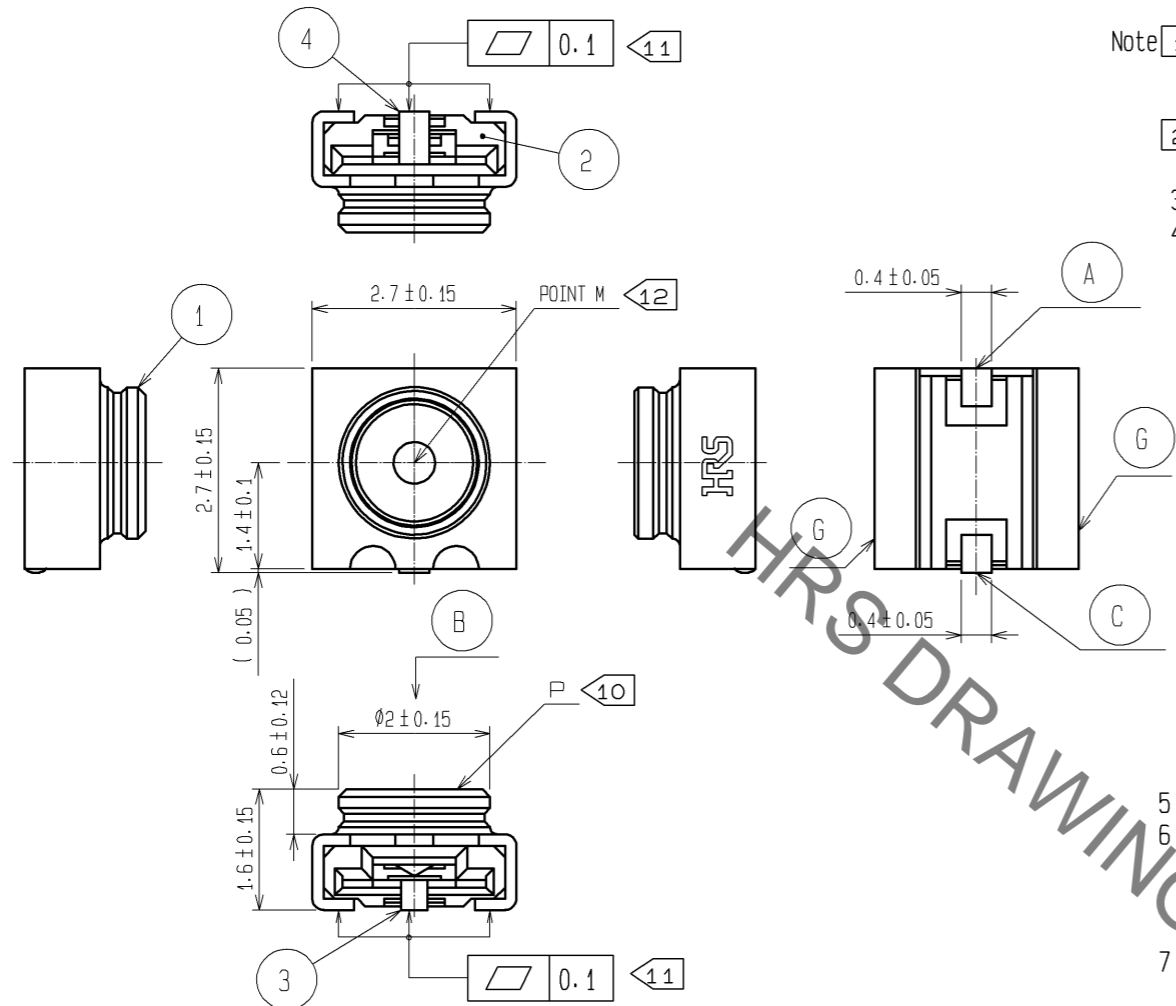
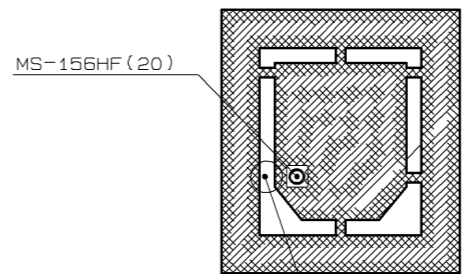


Jun.1.2021 Copyright 2021 HIROSE ELECTRIC CO., LTD. All Rights Reserved.
In case of consideration for using Automotive equipment / device which demand high reliability, kindly contact our sales window correspondents.



- Note 1 Please do not use the PCB footprint dimensions and the stencil opening dimensions and the plate thickness other than specified, otherwise there is the possibility to have the contact failure by solder and flux wicking to the contact areas.
- 2 When the bottom surface of the product (i.e., the hatched area of the specified footprints dimensions diagram) has been processed with a substrate copper trace and resist processing, Hirose Electric will not be able to warrant the product.
- 3 Do not use hand soldering for mounting of MS-156HF(20). Doing so could result in solder and flux wicking to the contact areas.
- 4 Exercise caution as not to allow any debris to enter the board mounted MS-156HF(20) when cutting PCB.

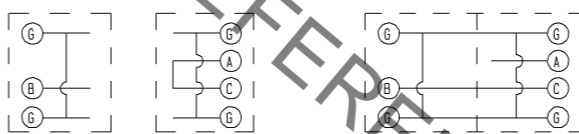
~Recommened Mounting of MS-156HF(20) coaxial switch
on the PCB during the manufacturing process~



To avoid contamination when cutting-off,
do not place PCB bridge close to the mounted MS-156HF(20).

- 5 This product is intended to be used for circuit inspection only. Consult us if any other application is considered.
- 6 Please refrain from using the product in environments specifically affected by excessive vibration, shock, dust, high humidity, gases, very high temperatures and very low temperatures such as outdoor equipment. It might cause degradation or destruction of the product. Even if it endures during a short time, long time qualification is not guaranteed.
- 7 Plugs can be roughly classified to two types.
- For mass production line automatic check (Press down type)
- For manual check (With retentive lock) : Unable to be used at production line.
- 8 Do not use the washing process.
- 9 Circuit shall be as follows.

Unmated condition Mated condition



MS-156 Plug MS-156HF(20) MS-156 Plug MS-156HF(20)

- 10 For use of this product, be sure to put contact area of plug on position P perpendicularly.
- 11 All lead co-planarity shall be 0.1mm MAX.
- 12 Point M indicates the center of the mating portion.
- 13 All lead layout is the same as MS-156NB which is conventional product, therefore the specified mounting condition of MS-156NB which shows dimension correspond to each # number of the following is also available.

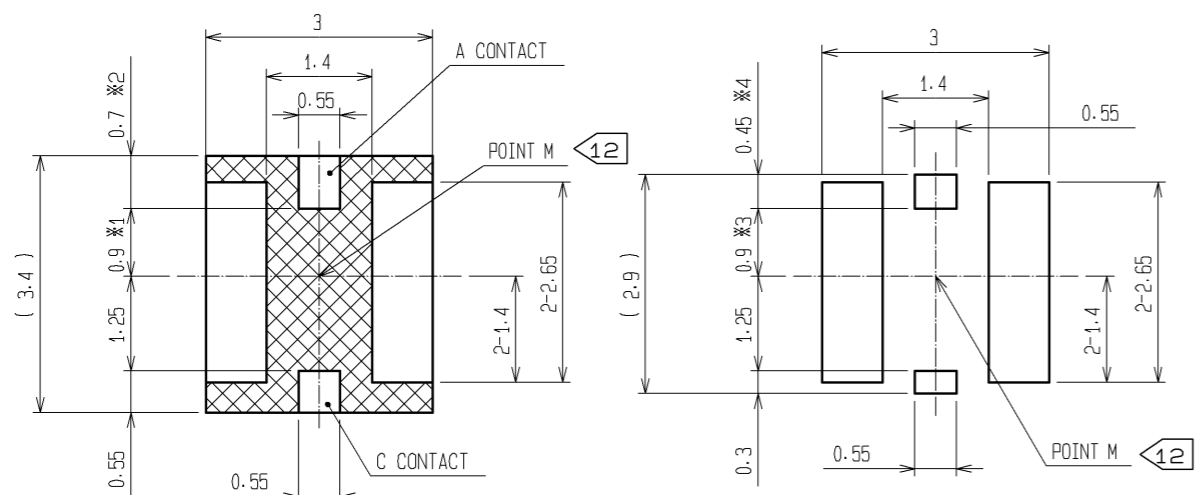
	#1	#2	#3	#4
size	1.05	0.55	1.05	0.3

1 SPECIFIED PCB FOOTPRINTS
(TOLERANCE ± 0.05mm)

13

1 SPECIFIED STENCIL OPENING
THICKNESS: 0.1~0.12mm
(TOLERANCE ± 0.03mm)

13



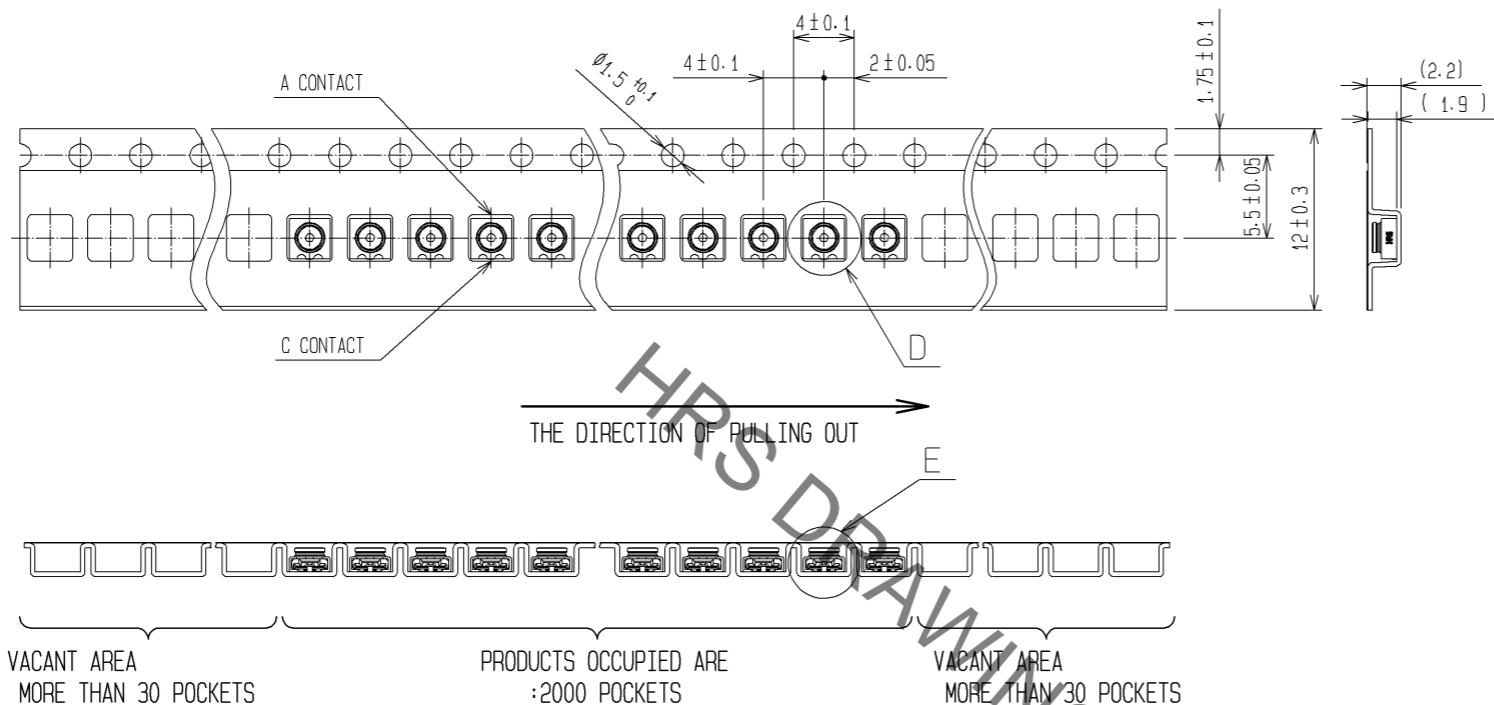
2 This area must be free of conductive traces and resist field.

Please comply with the following notes as a request for cooperation to our customers due to the micro precision machinery component.
(We ask all our customers for their understanding of the following notes and their cooperation.)

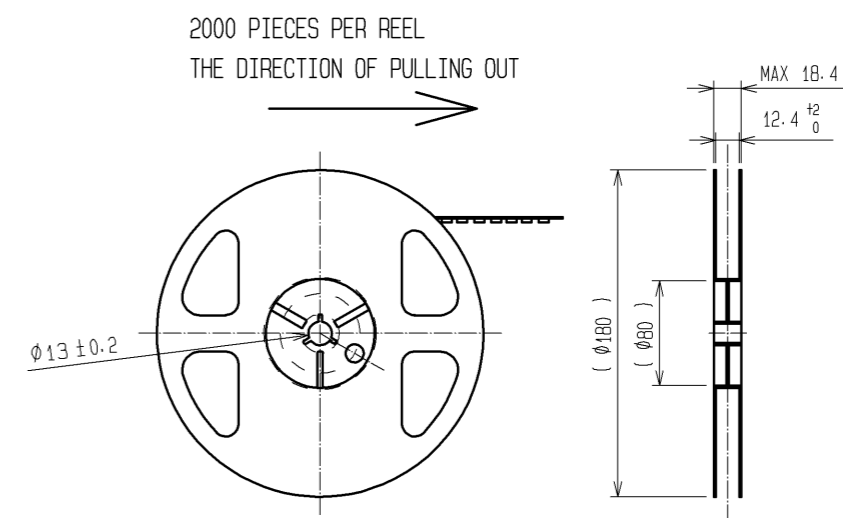
3	BERYLLIUM COPPER	SELECTIVE GOLD PLATING	6	PS	
2	BT-NYLON		5	PS	
1	PHOSPHOR BRONZE	GOLD PLATING	4	PHOSPHOR BRONZE	SELECTIVE GOLD PLATING
NO.	MATERIAL	FINISH . REMARKS	NO.	MATERIAL	FINISH . REMARKS
UNITS	mm	SCALE	10 : 1	COUNT	2
		DESCRIPTION OF REVISIONS	DESIGNED	CHECKED	DATE
		DIS-J-000892	AS. KASUGA	RZ. KANO	08.07.17
APPROVED	: KJ. KAWAMURA	07.11.27	DRAWING NO.	EDC3-180639-03	
CHECED	: TY. OZAKI	07.11.27	PART NO.	MS-156HF(20)	
DESIGNED	: DS. YAMAKOSHI	07.11.26	CODE NO.	CL358-0238-4-20	
DRAWN	: DS. YAMAKOSHI	07.11.26			

Jun.1.2021 Copyright 2021 HIROSE ELECTRIC CO., LTD. All Rights Reserved.
 In case of consideration for using Automotive equipment / device which demand high reliability, kindly contact our sales window correspondents.

PACKAGING SPECIFICATION

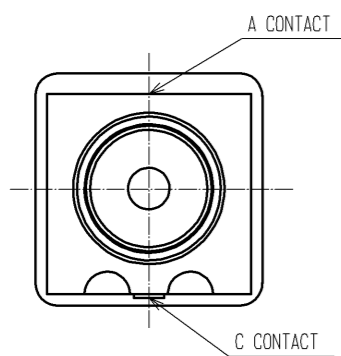


REEL DIMENSIONS(FREE)

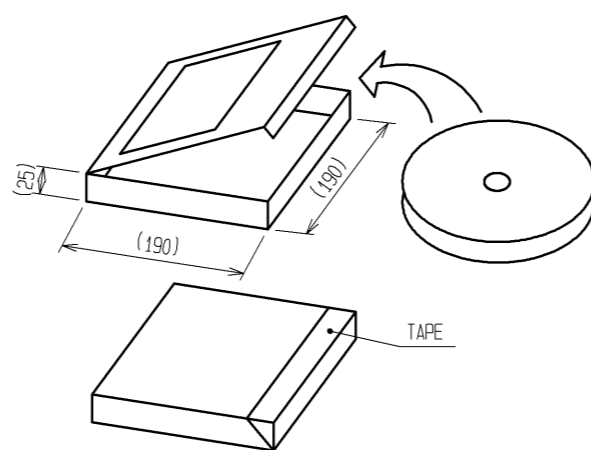


VACANT AREA MORE THAN 30 POCKETS PRODUCTS OCCUPIED ARE :2000 POCKETS VACANT AREA MORE THAN 30 POCKETS

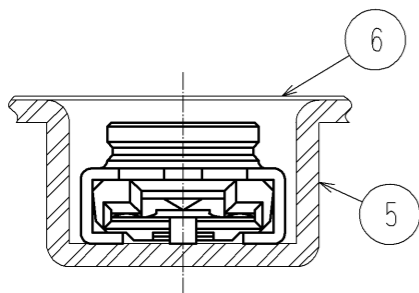
D (10:1)



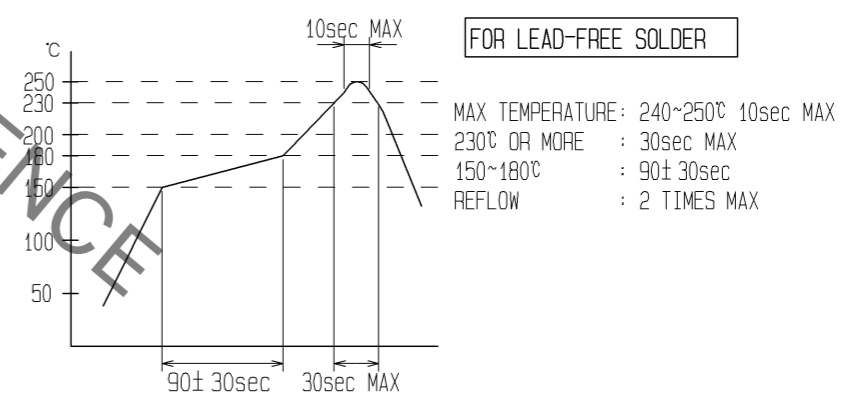
OUTER PACKAGING CASE (FREE)



E (10:1)



RECOMMENDED REFLOW TEMPERATURE PROFILE



HRS	DRAWING NO.	EDC3-180639-03
	PART NO.	MS-156HF(20)
	CODE NO.	CL358-0238-4-20
		\triangle 2/2

Mouser Electronics

Authorized Distributor

Click to View Pricing, Inventory, Delivery & Lifecycle Information:

[Hirose Electric:](#)

[MS-156HF\(20\)](#)