

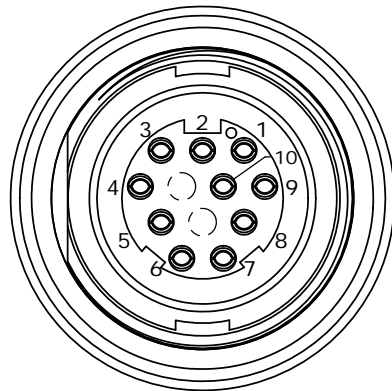
CUSTOMER PRINT

PART NUMBER: W4281-1XSG-3ES

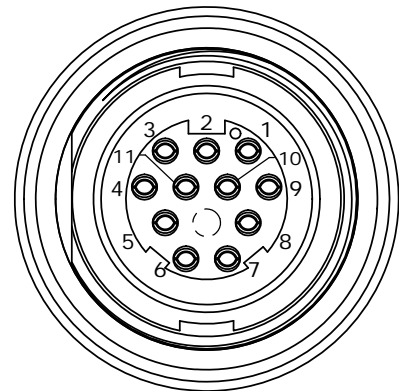
ASS'Y P/N	CONTACTS	HOLE POS. CLOSED
W4281-10SG-3ES	10 - #20	11, 12
W4281-11SG-3ES	11 - #20	12
W4281-12SG-3ES	12 - #20	NONE
W4281-1XSG-3ES		

NO. OF CONTACTS

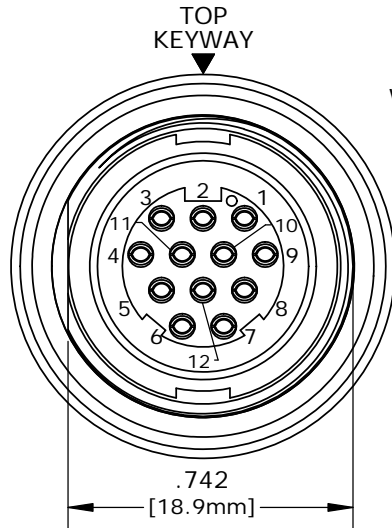
- NOTES:**
- ALL PARTS TO BE BULK PACKED.
 - CONTACTS ASSEMBLED INTO CONNECTOR.
 - BACK WELL FILLED WITH EPOXY.
 - ALL DIMENSIONS ARE REFERENCE ONLY EXCEPT WHERE NOTED WITH A TOLERANCE. DIMENSIONS IN BRACKETS [] ARE METRIC.
 - PC TAIL LENGTH OPTIONS:
 - STANDARD (SHORT) TAIL = 0.107in [W4281-1XSG-3ES]
 - INTERMEDIATE = 0.202in [W4291-1XSG-3ES]
 - LONG = 0.267in [W4292-1XSG-3ES]



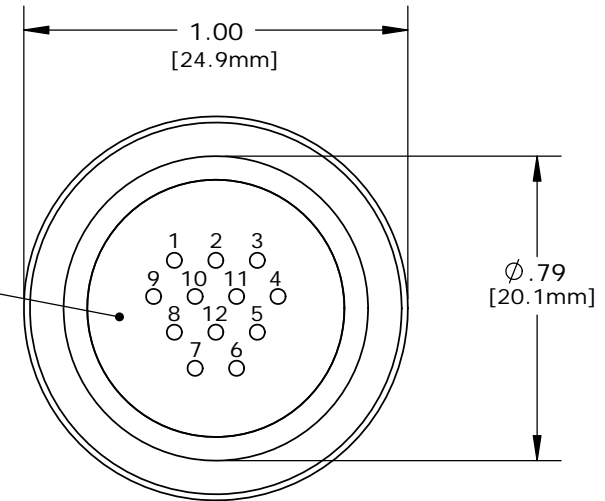
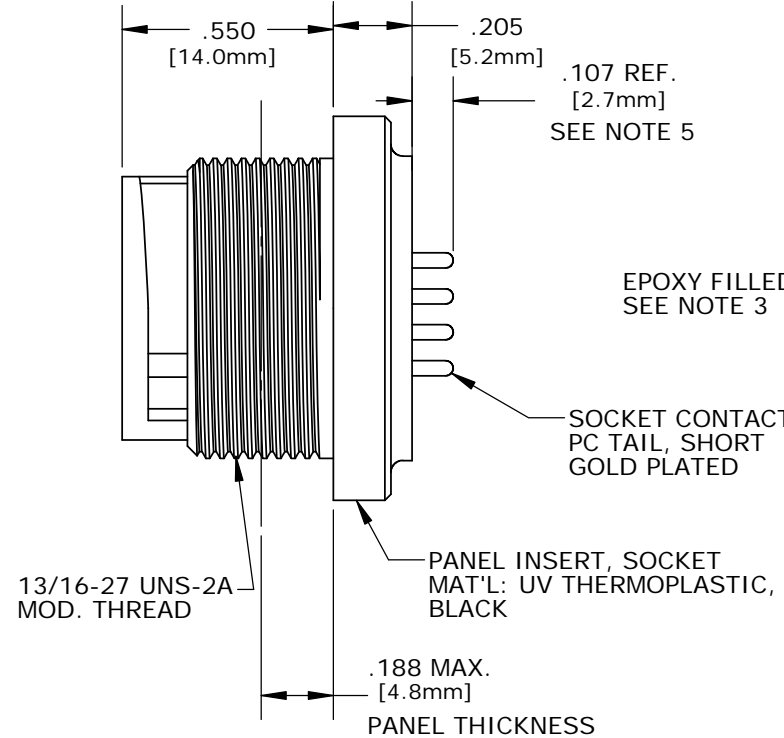
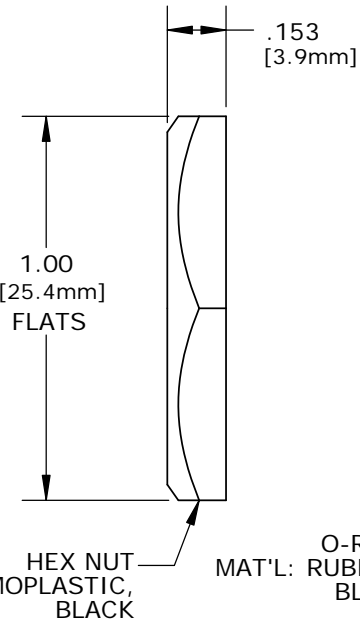
FACE VIEW
W4281-10SG-3ES
10-POS.



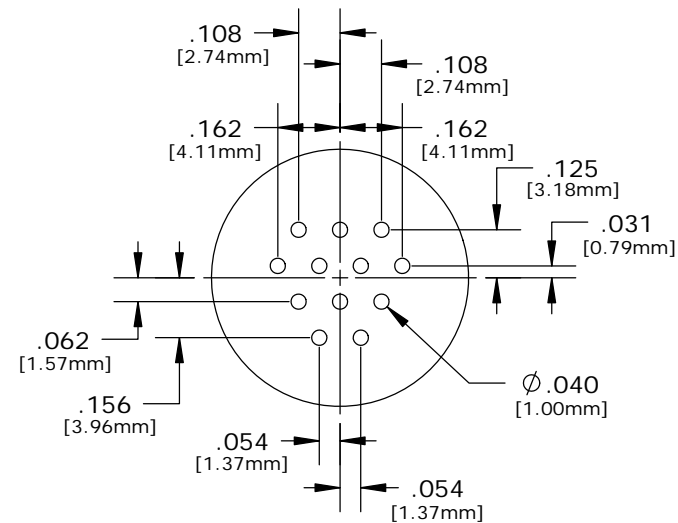
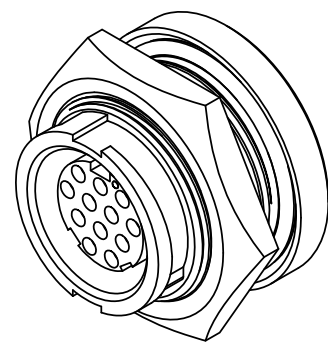
FACE VIEW
W4281-11SG-3ES
11-POS.



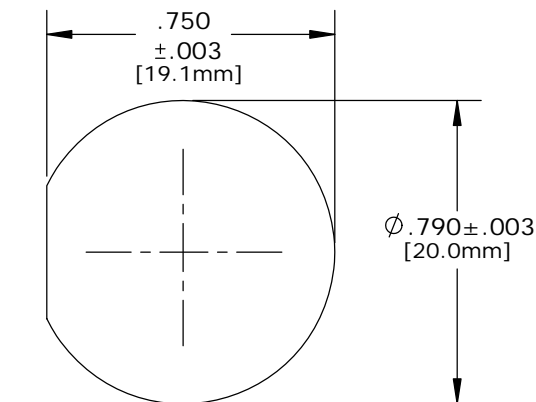
FACE VIEW
W4281-12SG-3ES
12-POS.



PC TAIL VIEW
W4281-10SG-3ES - 10-POS. (11&12 CLOSED)
W4281-11SG-3ES - 11-POS. (12 CLOSED)
W4281-12SG-3ES - 12-POS. (ALL OPEN)



PC TAIL LAYOUT



RECOMMENDED PANEL CUTOUT
STANDARD MULTI-CON-X

CUSTOMER APPROVAL

THIS DOCUMENT CONTAINS CONFIDENTIAL INFORMATION PROPRIETARY TO CONXALL CORPORATION. ANY REPRODUCTION, DISCLOSURE, OR USE OF THIS DOCUMENT /INFORMATION IS EXPRESSLY PROHIBITED UNLESS AUTHORIZED IN WRITING BY CONXALL CORPORATION.

APPROVED BY: _____

DATE: _____

A	PAK	09/12/19	DRAWING CREATED AND RELEASED PER DOR 10-2523JS-1
REV.	INIT.	DATE	DESCRIPTION
	PAK	10/03/14	ORIG. DRAWN BY: DATE: 10/03/14
ALL INFORMATION ILLUSTRATED IS THE PROPERTY OF "CONXALL CORPORATION". UNAUTHORIZED DUPLICATION OR DISTRIBUTION OF THIS DOCUMENT IS PROHIBITED.			<p>601 E. WILDWOOD VILLA PARK, IL 60181</p>
UNLESS OTHERWISE SPECIFIED TOLERANCES: 3 PLACE DECIMALS ±.005 ANGLES ±1° FRACTIONS ±1/16			
APPROVED BY:		TITLE: PANEL SOCKET, W/ EPOXY 12-POS., #20 PC TAIL, SHORT (STD.) MULTI-CON-X, E-KEY, WEATHER RESISTANT	
SCALE	SIZE	SHEET	CUSTOMER: STANDARD PRODUCT
NTS	B	1 OF 1	
FILE:	DIRECTORY:	PART NUMBER:	REV
W4281-1XSG-3ES	SLW	W4281-1XSG-3ES	A

Mouser Electronics

Authorized Distributor

Click to View Pricing, Inventory, Delivery & Lifecycle Information:

[Switchcraft:](#)

[W4281-12SG-3ES](#) [W4281-11SG-3ES](#) [W4281-10SG-3ES](#)