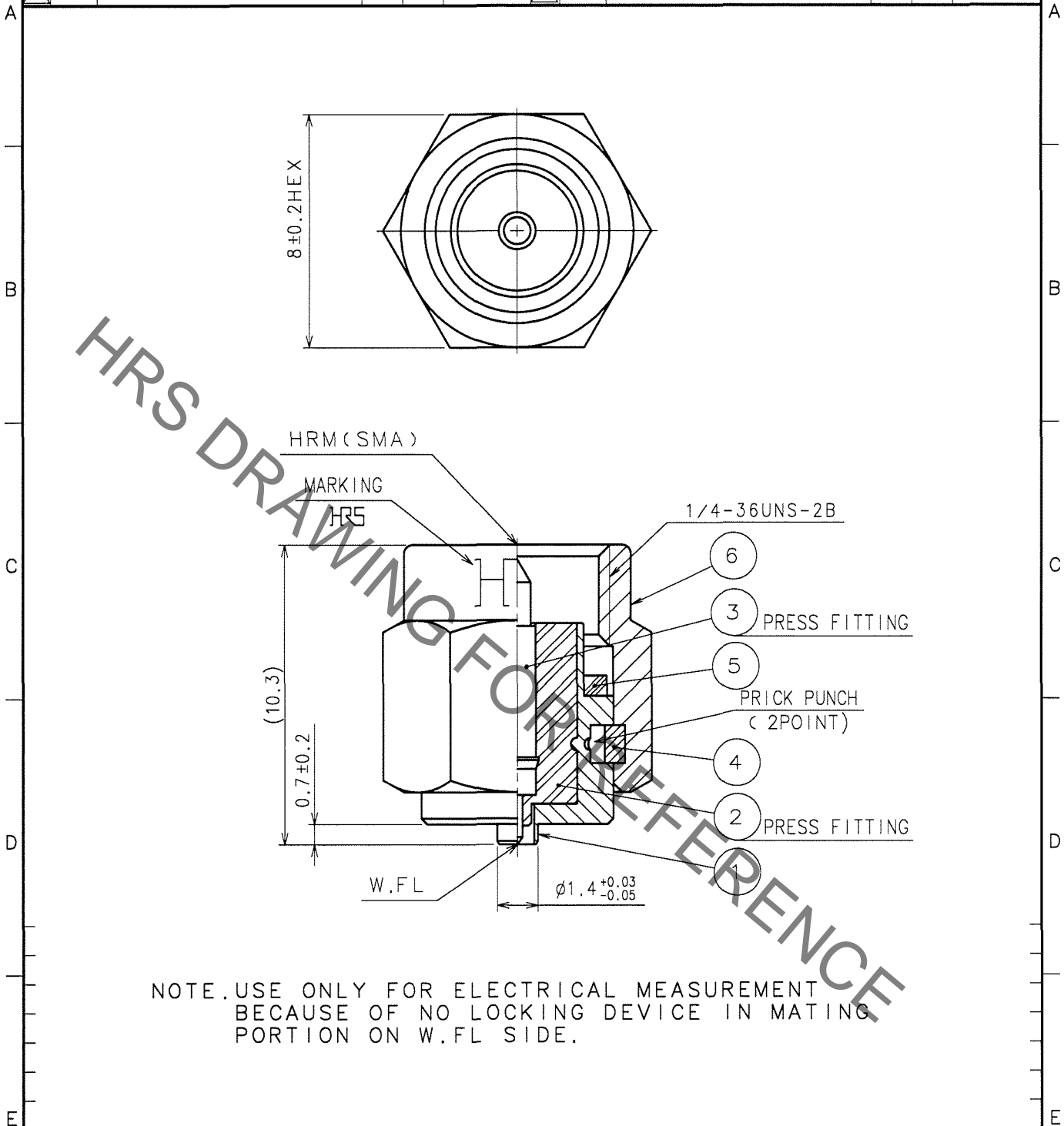


Jun.1.2021 Copyright 2021 HIROSE ELECTRIC CO., LTD. All Rights Reserved.  
 In case of consideration for using Automotive equipment / device which demand high reliability, kindly contact our sales window correspondents.

1	2		3		4				
COUNT	DESCRIPTION OF REVISIONS	BY	CHKD	DATE	COUNT	DESCRIPTION OF REVISIONS	BY	CHKD	DATE
△					△				. .
△					△				. .
△					△				. .



NOTE .USE ONLY FOR ELECTRICAL MEASUREMENT  
 BECAUSE OF NO LOCKING DEVICE IN MATING  
 PORTION ON W.FL SIDE.

3	PHOSPHOR BRONZE	GOLD PLATING	6	STAINLESS STEEL	PASSIVATE
2	PTFE		5	SILICONE RUBBER	(RED)
1	STAINLESS STEEL	NICKEL PLATING	4	BERYLLIUM COPPER	NICKEL PLATING
NO.	MATERIAL	FINISH, REMARKS	NO.	MATERIAL	FINISH, REMARKS

CODE NO. (OLD) CL	DRAWN h. Ninomiya '06.03.24	DESIGNED h. Ninomiya '06.03.24	CHECKED m. yamane '06.03.24	APPROVED S. MITSUNO '06.03.24	RELEASED
RoHS COMPLIANT					

 SACLE 5 : 1 UNITS mm	DRAWING NO. EDC4-300217-40	PART NO. HRMP-W.FLJ(40)
	 HIROSE ELECTRIC CO.,LTD.	CODE NO. CL311-0367-3-40

TO
RF

# Mouser Electronics

Authorized Distributor

Click to View Pricing, Inventory, Delivery & Lifecycle Information:

[Hirose Electric:](#)

[HRMP-W.FLJ\(40\)](#)