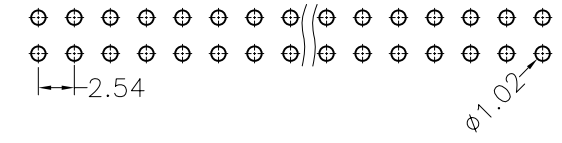
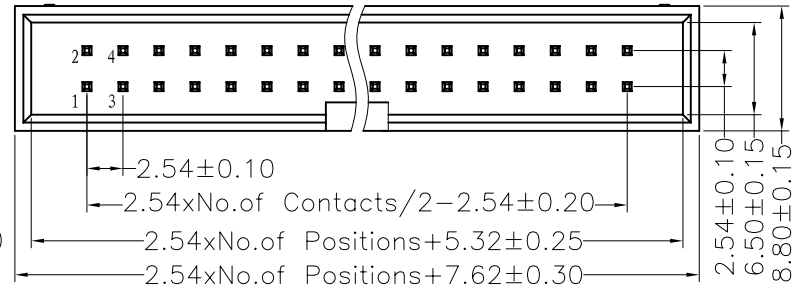


REV.	ECN. NO.	APPD.
A		

NOTES:  
 Current Rating:3AMP  
 Contact Resistance:20mΩ max  
 Withstand Voltage:500V AC/DC  
 Insulation Resistance:1000MΩ min  
 Operation Temperature:-40°C to +105°C

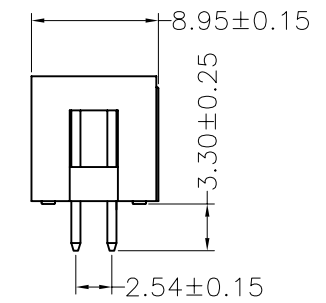
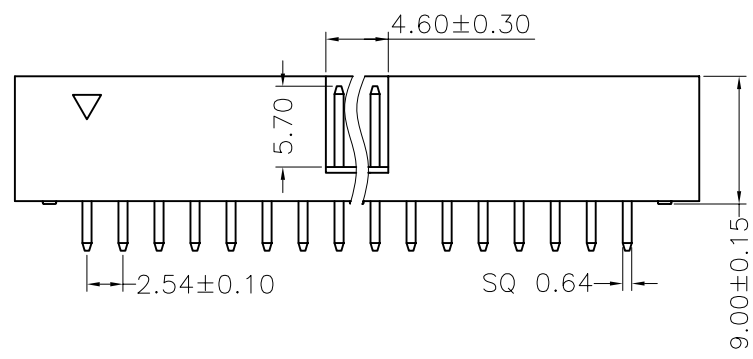
Contact Material:Brass  
 Contact plating:Au or Sn Over Ni  
 Insulator Material:PBT/PA6T+30%G.F(UL94V-0)

Recommended P.C.B Layout(Top Si  
 (PCB BOARD TOLERANCE±0.05)



**MTB10-XXS**

No.of Pins
6P 24P
8P 26P
10P 30P
12P 34P
14P 40P
16P 50P
18P 60P
20P 64P



X. ± 0.30	X.° ± 5°	UNITS mm	NAME(INTENDED USE)	MINTRON CO.,LTD.
.X ± 0.20	.X° ± 2°	MAT'L	PART NO.(INTENDED USE)	
.XX ± 0.10	.XX° ± 1°	FINISH	APPD: SUNNY	TITLE: MTB10-XXS
.XXX ± 0.05	.XXX° ± 0.5°		CHKD: LISA	DWG NO.:
BOX HEADER CONNECTOR			Q'TY	
			DR: ZOE 2006-11-28	
				SHEET 1/1
				REV. A