

Test Probe

**GKS-069 303 090 A 0700**

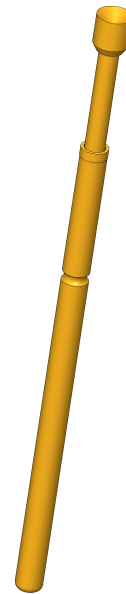
Item GKS-069-0016



**ingun**<sup>®</sup>

Partner for Future Technology

**INGUN SELECTION**



1:1

# Test Probe

## GKS-069 303 090 A 0700

Item GKS-069-0016



GO TO PRODUCT

**ingun**<sup>®</sup>

Partner for Future Technology

### General data

Product group	ICT / FCT (in-circuit test and function test)
Sub-product group	Fine-pitch
Series	GKS-069
Grid	1.27 mm [50 mil]
Contacting from	Pin, Post
Magnetic	Yes
Installation type	Plug-in
Quick-exchange system	Yes
Adjustable installation height	No
Non-rotating	No
Compatible receptacle(s)	KS-069
Min. temperature	- 40 °C [- 104 °F]
Max. temperature	+ 80 °C [+ 176 °F]
RoHS-compliant	Yes

### Electrical data

Current load capacity / rated current	3 A
Typical resistance (Ri)	<20 mOhm

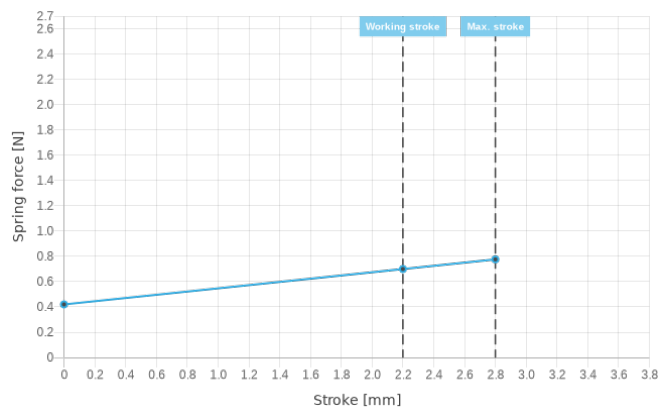
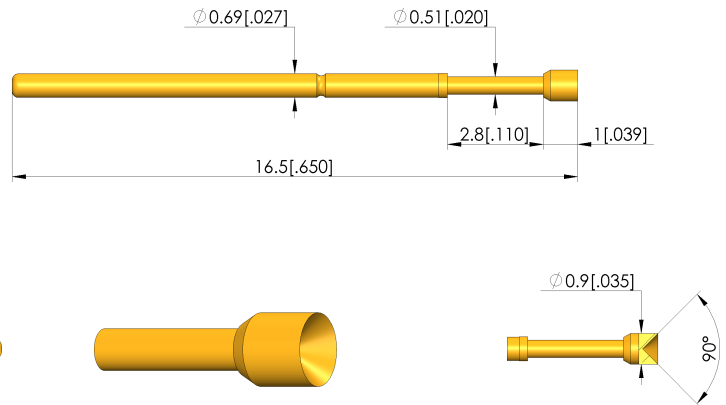
### Mechanical data

Total length	16.5 mm [.649 in]
Barrel diameter	0.69 mm [.027 in]
Maximum stroke	2.8 mm [.110 in]
Spring pre-load	0.33 N [1.18 ozf]
Collar height	00
Spring force at working stroke	0.7 N [2.51 ozf]
Recommended working stroke	2.2 mm [.086 in]

### Tip style data

Tip style	03 inverse cone
Tip diameter	0.9 mm [.035 in]
Tip style surface	A gold
Tip style material	3 CuBe

### INGUN SELECTION



### INGUN Prüfmittelbau GmbH

Max-Stromeyer-Straße 162  
78467, Constance, Germany  
Phone +49 7531 8105-0  
Customer hotline +49 7531 8105-888  
Fax +49 7531 8105-65  
info@ingun.com



Prices and delivery times on request.  
Technical changes reserved. 11/22 EN

Weitere Informationen zum Thema  
ICT/FCT Test probes

