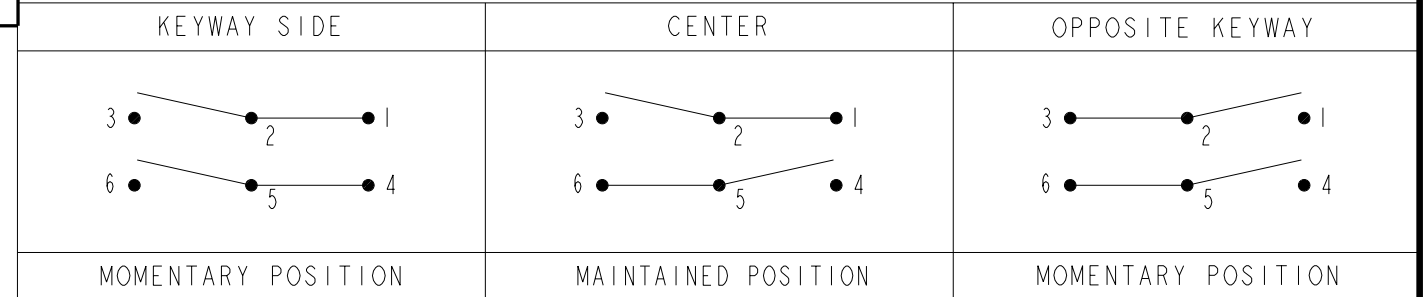
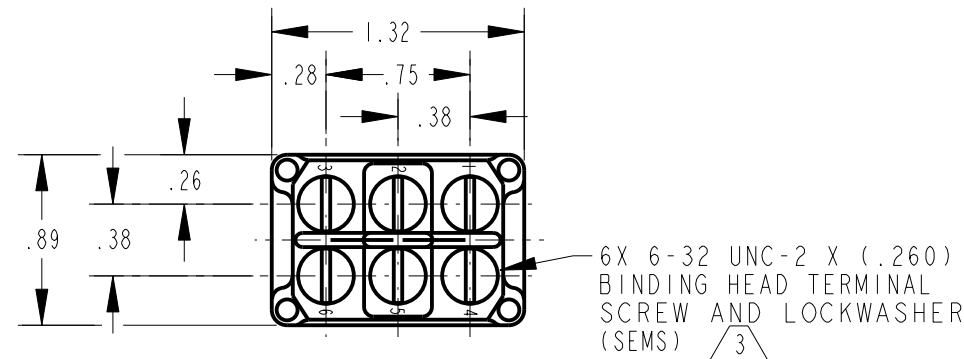
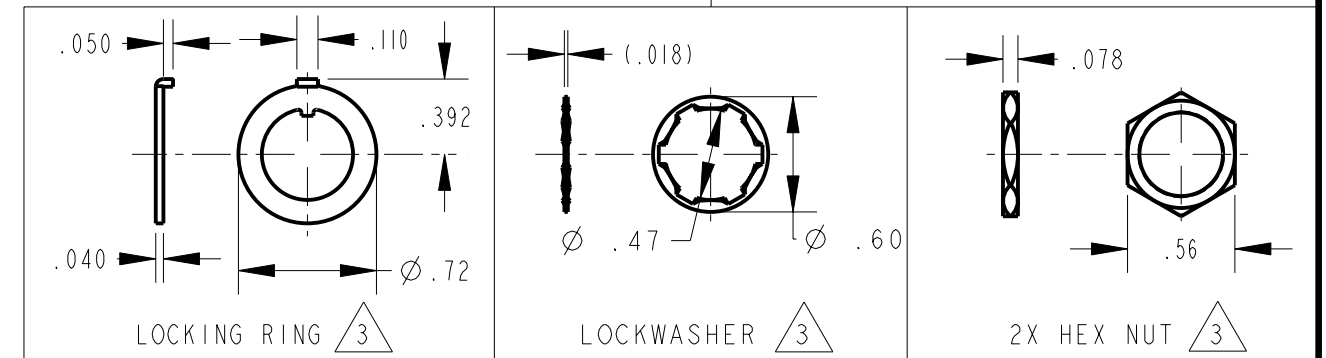
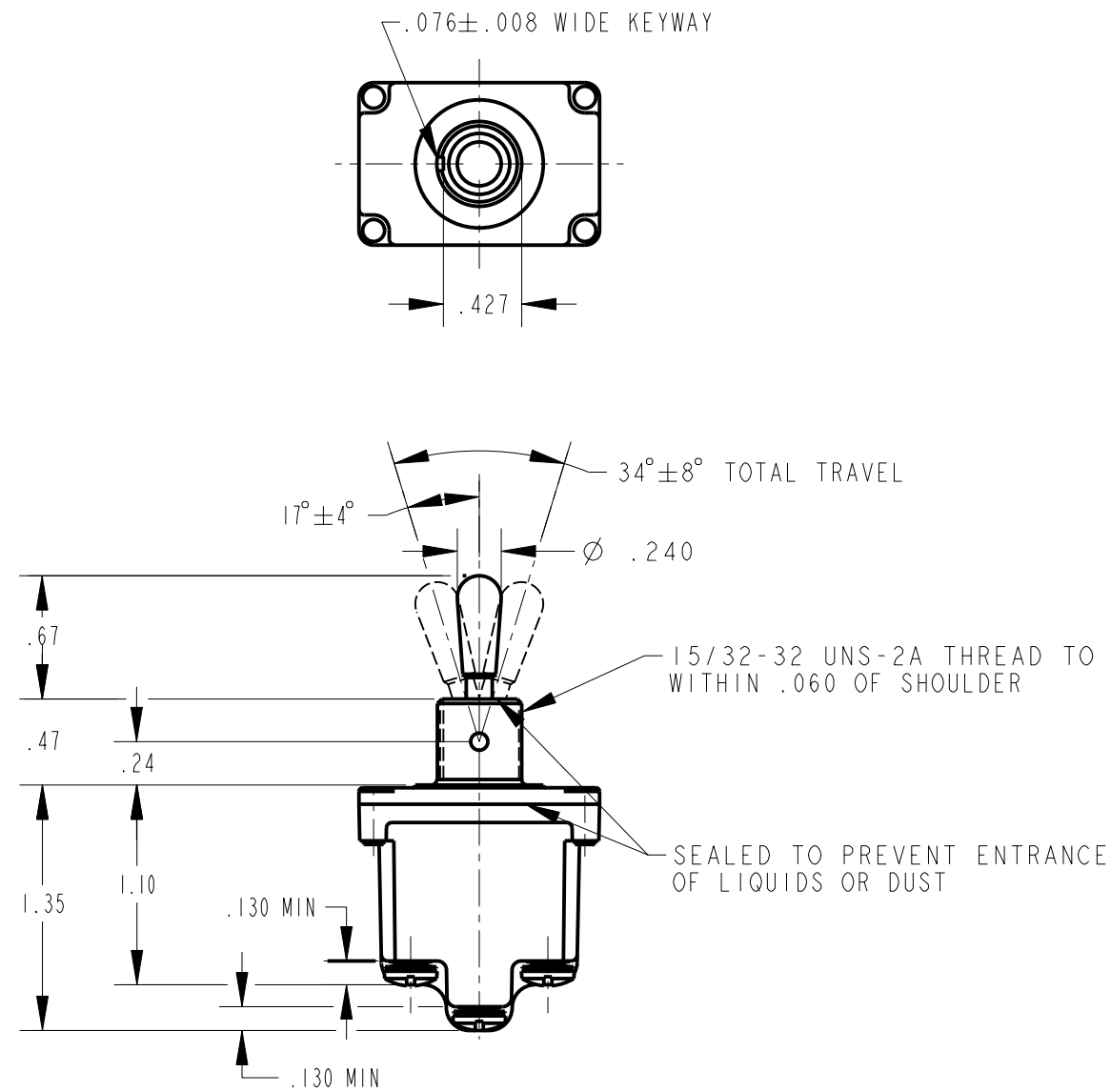


CIRCUIT MADE WITH TOGGLE LEVER IN



ELECTRICAL DATA

L192
10A 125, 250, 277 VAC
1/4HP 125 VAC,
1/2HP 250, 277 VAC
3A 125 VAC "L"



- NOTES
1 - SWITCHES ARE CAPABLE OF WITHSTANDING A TEMPERATURE OF 160°F CONTINUOUSLY AT FULL RATED LOAD
2 - MICRO SWITCH CAT. LIST. MARKED ON SIDE OF SWITCH
3 - FURNISHED UNASSEMBLED

THIRD ANGLE PROJECTION	
SCALE	FULL
DO NOT SCALE PRINT	
UNLESS OTHERWISE SPECIFIED TOLERANCES ARE	
ONE PLACE	(.0) ±.030
TWO PLACE	(.00) ±.015
THREE PLACE	(.000) ±.005
ANGLES	±
WEIGHT	.12 LBS APPROX

PTC/CAD 2D
 DRAWN TSM 19NOV99
 CHECK SAV 19NOV99
 CHECK 19NOV99
 REVISIONS
 A C094360 TSM 19NOV99
 ISSUE 4
 M
 CATALOG LISTING
 2NT1-70-TM
 PAGE 1 OF 1
 RELEASE NO. PR-19624
 REPLACES