



Overview

Description

Magnet wire wound on a molded 30% glass filled bobbin framed in steel and encapsulated with 30% glass filled polyester resin. Coil impregnated with anerobic sealant.

Ratings

Properties

Magnet wire	U.S. class H 180 °C (356 °F) minimum rating
Mating connector	DT06-2S-P012 - Note: DEUTSCH DT04-2P DELPHI/PACKARD number 12010973 - Note: Weather-Pack 2 terminal male, lead wires 18 AWG

Electrical Parameters

Coil resistance at 20 °C (68 °F)	6.8 ohm ±3%	- Note: 10 Vdc coil
	9.8 ohm ±3%	- Note: 12 Vdc coil
	27.2 ohm ±5%	- Note: 20 Vdc coil
	39.3 ohm ±5%	- Note: 24 Vdc coil
	88.3 ohm ±5%	- Note: 36 Vdc coil
Coil inductance at 20 °C (68 °F)	765.5 ohm ±8%	- Note: 115 Vdc coil
	3035 ohm ±8%	- Note: 230 Vdc coil
	485.7 mH ±5%	- Note: 115 Vac coil
Coil initial current draw	2026.1 mH ±5%	- Note: 230 Vac coil
	1.47 A	- Note: 10 Vdc coil
	1.22 A	- Note: 12 Vdc coil
	0.74 A	- Note: 20 Vdc coil
	0.61 A	- Note: 24 Vdc coil
	0.41 A	- Note: 36 Vdc coil
	0.14 A	- Note: 115 Vac coil, @ 60 Hz
	0.15 A	- Note: 115 Vac coil, @ 50 Hz (calculated using winding inductance)
	0.07 A	- Note: 230 Vac coil, @ 60 Hz
	0.74 A	- Note: 230 Vac coil, @ 50 Hz (calculated using winding inductance)
Coil initial power consumption	14.7 W	- Note: DC Coils
	8.55 W	- Note: AC Coils

Electrical Parameters

Stabilized AC current draw	98.4 mA	- Note: 115 Vac coil, @ 60 Hz
	49 mA	- Note: 230 Vac coil, @ 60 Hz

Bridge Rectifier (AC coils)

Rectifier	4x IN5399
Average rectified forward current rating	1.5 A - Note: at 75 °C (167 °F)
Peak reverse voltage	1000 V

Bidirectional Zener Diode Parameters

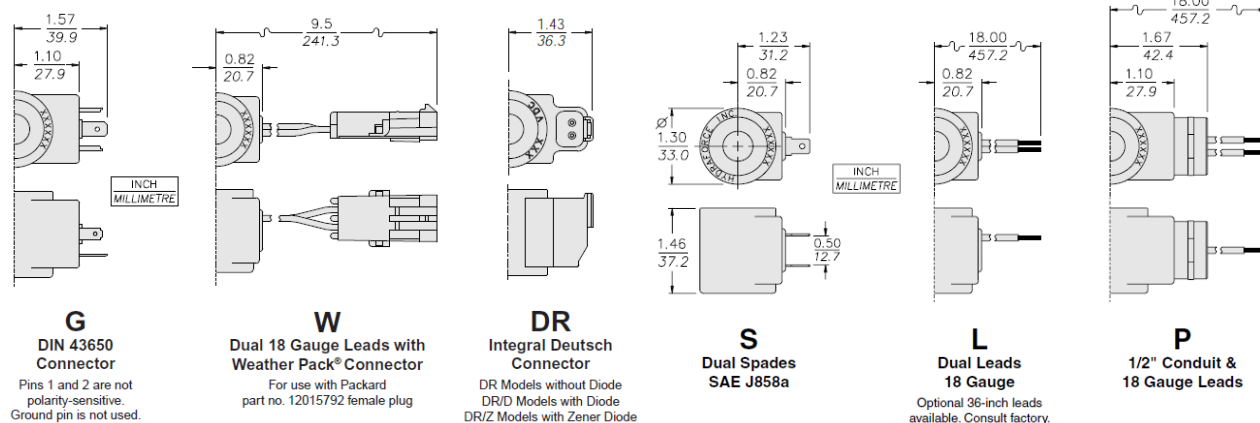
Maximum clamping voltage	45.7 V	- Note: 12 Vdc coil
	64.8 V	- Note: 24 Vdc coil
Maximum peak pulse current	13.2 A	- Note: 12 Vdc coil
	9.3 A	- Note: 24 Vdc coil
Reverse standoff voltage	28.2 V	- Note: 12 Vdc coil
	40.2 V	- Note: 24 Vdc coil
Maximum reverse leakage	5.0 µA	- Note: 12, 24 Vdc coil
Breakdown voltage	31.4 to 34.7 V	- Note: 12 Vdc coil
	44.7 to 49.4 V	- Note: 24 Vdc coil
Diode part number	6110163	- Note: 12 Vdc coil (ref)
	4000063	- Note: 24 Vdc coil (ref)

Unidirectional Diode Parameters

Average forward current	3.0 A	- Note: Maximum, 12 Vdc coil
	1 A	- Note: Maximum, 24 Vdc coil
Maximum repetitive peak reverse voltage	50 V	
Diode part number	4002474	



Dimensions



Coil Part Numbers

Model code	Part no.	Voltage	Connector	IP rating	Diode
24AG	6316024	24	DIN 43650		
115AG	6316115	115	DIN 43650		
230AG	6316230	230	DIN 43650		
24AP	6315024	24	1/2-14 NPT internal thread		
115AP	6315115	115	1/2-14 NPT internal thread		
230AP	6315230	230	1/2-14 NPT internal thread		
12DG	6306012	12	DIN 43650		
20DG	6306020	20	DIN 43650		
24DG	6306024	24	DIN 43650		
36DG	6306036	36	DIN 43650		
10DL	6302010	10	Dual leads/no connector		
12DL	6302012	12	Dual leads/no connector		
12DL	6307012	12	Dual leads/no connector		
24DL	6302024	24	Dual leads/no connector		
24DL	6307024	24	Dual leads/no connector		
12DL/W	6309412	12	Dual leads/no connector		
24DL/W	6309424	24	Dual leads/no connector		
12DL/W/D	6309737	12	Dual leads/no connector		Ultra-fast diode
12DR	4301512	12	Deutsch DT04-2P		
24DR	4301524	24	Deutsch DT04-2P		
10DR/D	4301871	10	Deutsch DT04-2P		Ultra-fast diode
12DR/D	4301872	12	Deutsch DT04-2P		Ultra-fast diode
24DR/D	4301874	24	Deutsch DT04-2P		Ultra-fast diode
12DR/Z	4301852	12	Deutsch DT04-2P		Bidirectional zener diode
24DR/Z	4301854	24	Deutsch DT04-2P		Bidirectional zener diode
10DS	6301010	10	Dual spade		
12DS	6301012	12	Dual spade		
20DS	6301020	20	Dual spade		
24DS	6301024	24	Dual spade		
36DS	6301036	36	Dual spade		