

PLT10HH501100PN#

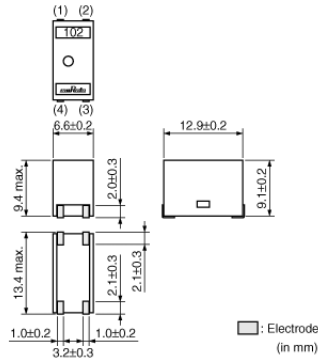
“#” indicates a package specification code.



< List of part numbers with package codes >

PLT10HH501100PNL PLT10HH501100PNK PLT10HH501100PNB

Appearance & Shape



Features

Features

1. Meets large current up to 18Amax. suitable for power lines.
2. Meets to surface mounting.
3. Large common mode impedance up to 1000ohm [at 10MHz] enables good noise suppression effect.
4. Wide operating temperature range.
 - 55°C to 125°C [PLT10HH101150PN / PLT10HH401100PN / PLT10HH450180PN / PLT10HH9016R0PN]
 - 55°C to 105°C [PLT10HH1026R0PN / PLT10HH501100PN]

Application

Common mode noise suppression for motors in automotive equipments, audio amps for automotive, car navigations. Also available for non-automotive applications.

Applications

Automotive Usage	Powertrain/Safety
------------------	-------------------

Packaging Information

Packaging	Specifications	Minimum Order Quantity
L	180mm Embossed Tape	125
K	330mm Embossed Tape	500
B	Bulk(Bag)	50

Attention

1.This datasheet is downloaded from the website of Murata Manufacturing Co., Ltd. Therefore, it's specifications are subject to change or our products in it may be discontinued without advance notice. Please check with our sales representatives or product engineers before ordering.
2.This datasheet has only typical specifications because there is no space for detailed specifications.
Therefore, please review our product specifications or consult the approval sheet for product specifications before ordering.

PLT10HH501100PN#

“#” indicates a package specification code.



Specifications

Shape	SMD	Number of Circuit	1
Length	12.9mm	Common Mode Inductance	9μHmin.
Length Tolerance	±0.2mm	Operating Temperature Range(Self-temperature rise is included)	Yes
Width	6.6mm		
Width Tolerance	±0.2mm		
Thickness	9.4mm		
Thickness Tolerance	max.		
Common Mode Impedance (at 10MHz)	500Ω		
Common Mode Impedance (at 10MHz) Tolerance	(Typ.)		
Rated Current	10A		
Rated Voltage	100Vdc		
Withstanding Voltage	250Vdc		
DC Resistance(max.)	4.1mΩ		
DC Resistance	3.6mΩ±0.5mΩ		
Insulation Resistance(min.)	10MΩ		
Operating Temperature Range	-55°C to 105°C		
Mass(typ.)	2.1g		

Attention

1.This datasheet is downloaded from the website of Murata Manufacturing Co., Ltd. Therefore, it's specifications are subject to change or our products in it may be discontinued without advance notice. Please check with our sales representatives or product engineers before ordering.

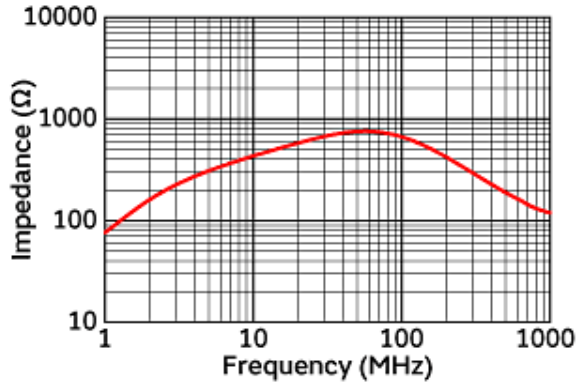
2.This datasheet has only typical specifications because there is no space for detailed specifications.

Therefore, please review our product specifications or consult the approval sheet for product specifications before ordering.

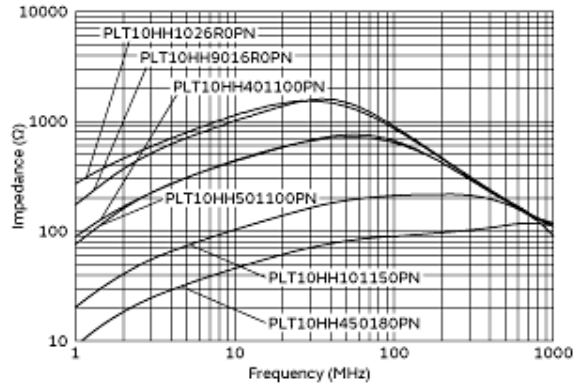
PLT10HH501100PN#

“#” indicates a package specification code.

Product Data



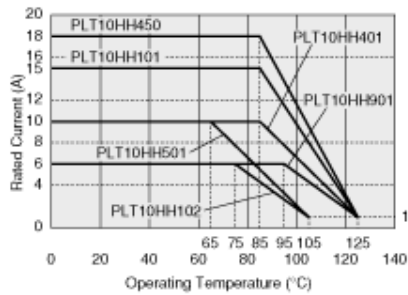
Impedance-Frequency Characteristics



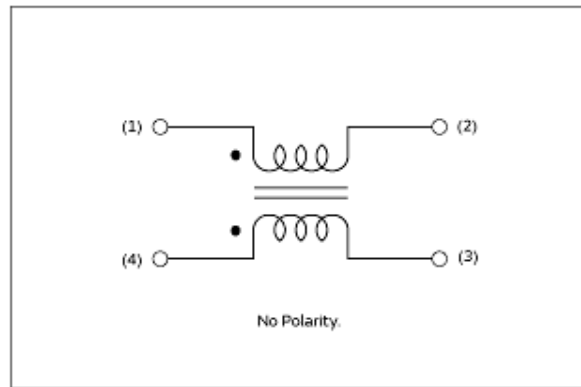
Impedance-Frequency Characteristics (Main Items)

In operating temperature exceeding +65°C, derating of current is necessary for PLT10H series. Please apply the derating curve shown in chart according to the operating temperature.

Derating of Rated Current



Derating of Rated Current



Equivalent Circuit

Attention

- 1.This datasheet is downloaded from the website of Murata Manufacturing Co., Ltd. Therefore, it's specifications are subject to change or our products in it may be discontinued without advance notice. Please check with our sales representatives or product engineers before ordering.
- 2.This datasheet has only typical specifications because there is no space for detailed specifications. Therefore, please review our product specifications or consult the approval sheet for product specifications before ordering.