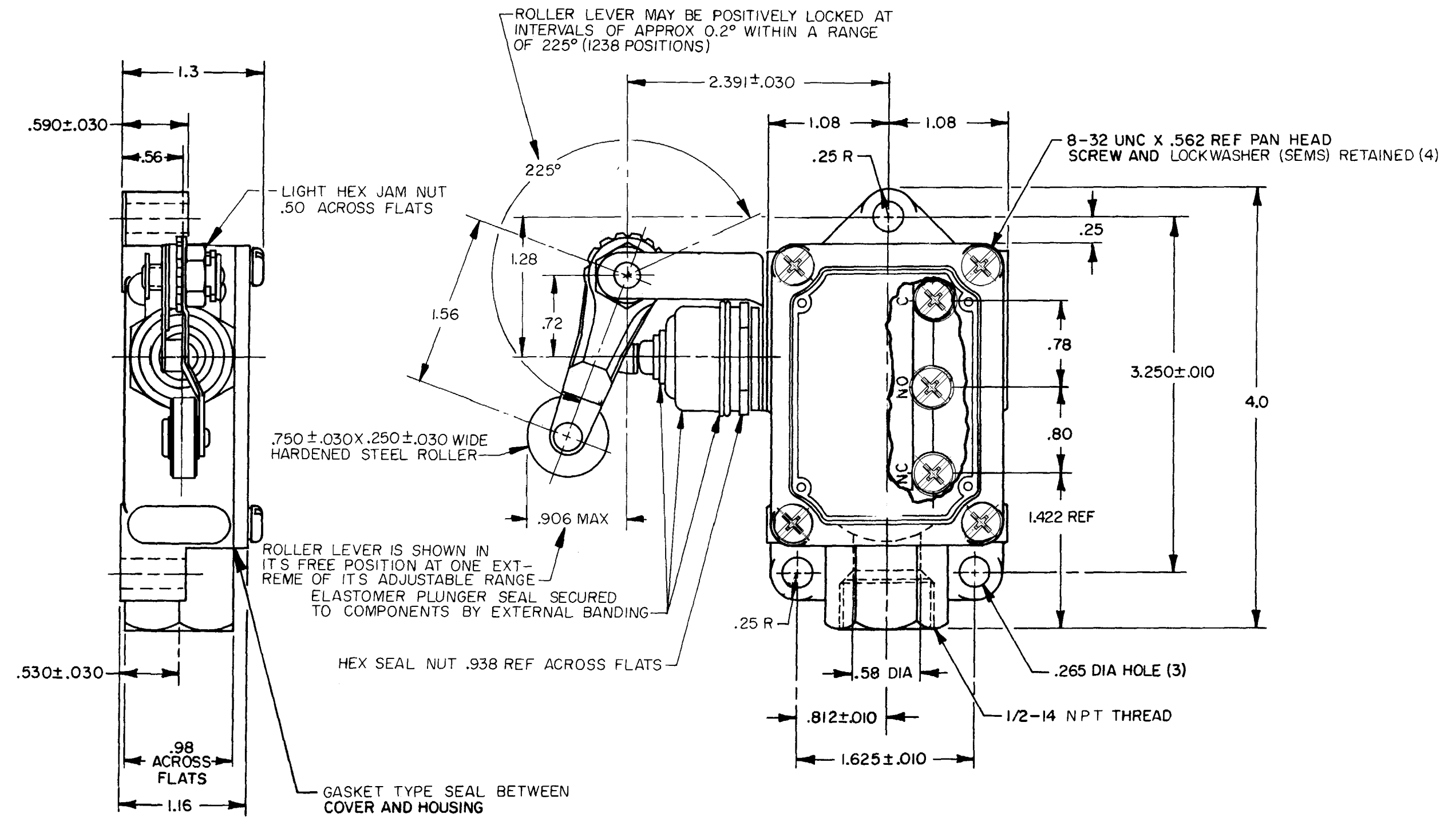


SWITCH - ENCLOSED

CATALOG LISTING
BAF1-2RN2-RH
(RIGHT HAND)

CATALOG LISTING
BAF1-2RN2-RH
REPLACES
PAGE 1 OF 1
RELEASE NO.
CHECK
ISSUE
19
CHECK
REVISIONS
A CO-73287-M
GJW
10 MAY 95
B C081513B
JAK
6 MAR 97
CHECK
25 MAY 95
JJA
CHECK
10 MAY 95
GJW
DRAWN
FORMTEK



THIS DRAWING COVERS A PROPRIETARY ITEM AND IS THE PROPERTY OF MICRO SWITCH, A DIVISION OF HONEYWELL. THIS DRAWING IS NOT TO BE COPIED OR USED WITHOUT THE APPROVAL OF MICRO SWITCH

THIRD ANGLE PROJECTION

CHARACTERISTICS	ELECTRICAL DATA
OPERATING FORCE - - - - - 2 LBS MAX	CONTACT ARRANGEMENT
RELEASE FORCE - - - - - 1/2 LB MIN	S P D T
PRETRAVEL - - - - - .219 MAX	L23 20A 125, 250 OR 480 VAC
DIFFERENTIAL TRAVEL - - - - .020 MAX	10A 125 VAC "L"
OVERTRAVEL - - - - - .250 MIN	1HP 125 VAC, 2HP 250 VAC
SWITCH-BASIC REPLACEMENT - BA-2R708-P7	1/2A 125 VDC, 1/4A 250 VDC

SCALE	TOLERANCES
FULL	DO NOT SCALE PRINT
ONE PLACE (.0)	±.030
TWO PLACE (.00)	±.015
THREE PLACE (.000)	±.005
ANGLES	±
WEIGHT	.670 LB

UNLESS OTHERWISE SPECIFIED TOLERANCES ARE

ONE PLACE (.0) ±.030

TWO PLACE (.00) ±.015

THREE PLACE (.000) ±.005

ANGLES ±

WEIGHT .670 LB

- NOTES
- 1 - ROLLER LEVER BRACKET ASSEMBLY MAY BE SET IN ANY POSITION AROUND AXIS OF PLUNGER
 - 2 - 8-32 UNC X (.219) BINDER HEAD, COMBINATION, TERMINAL SCREWS AND CUP WASHERS