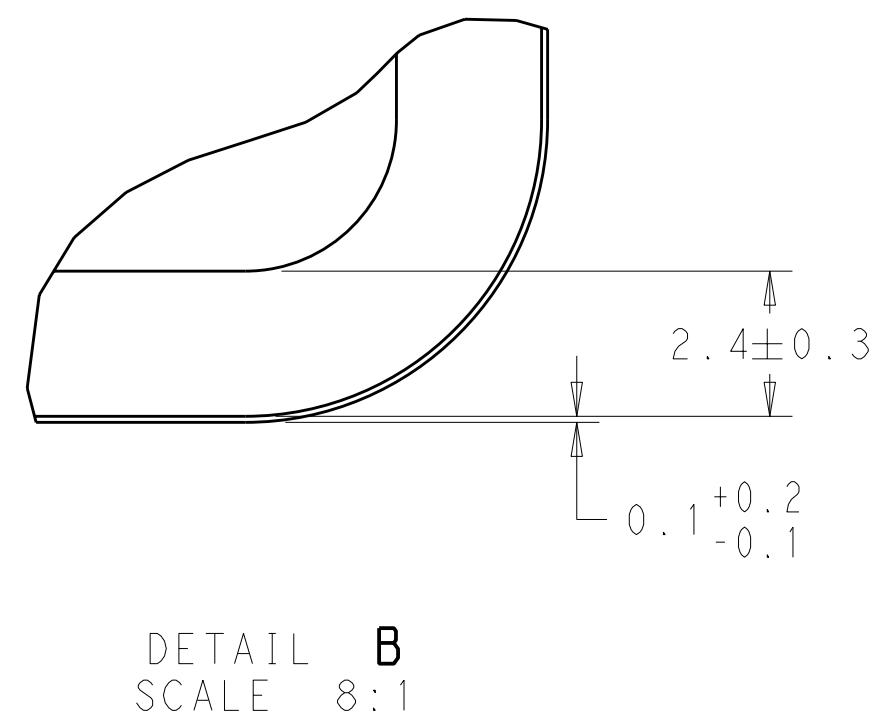
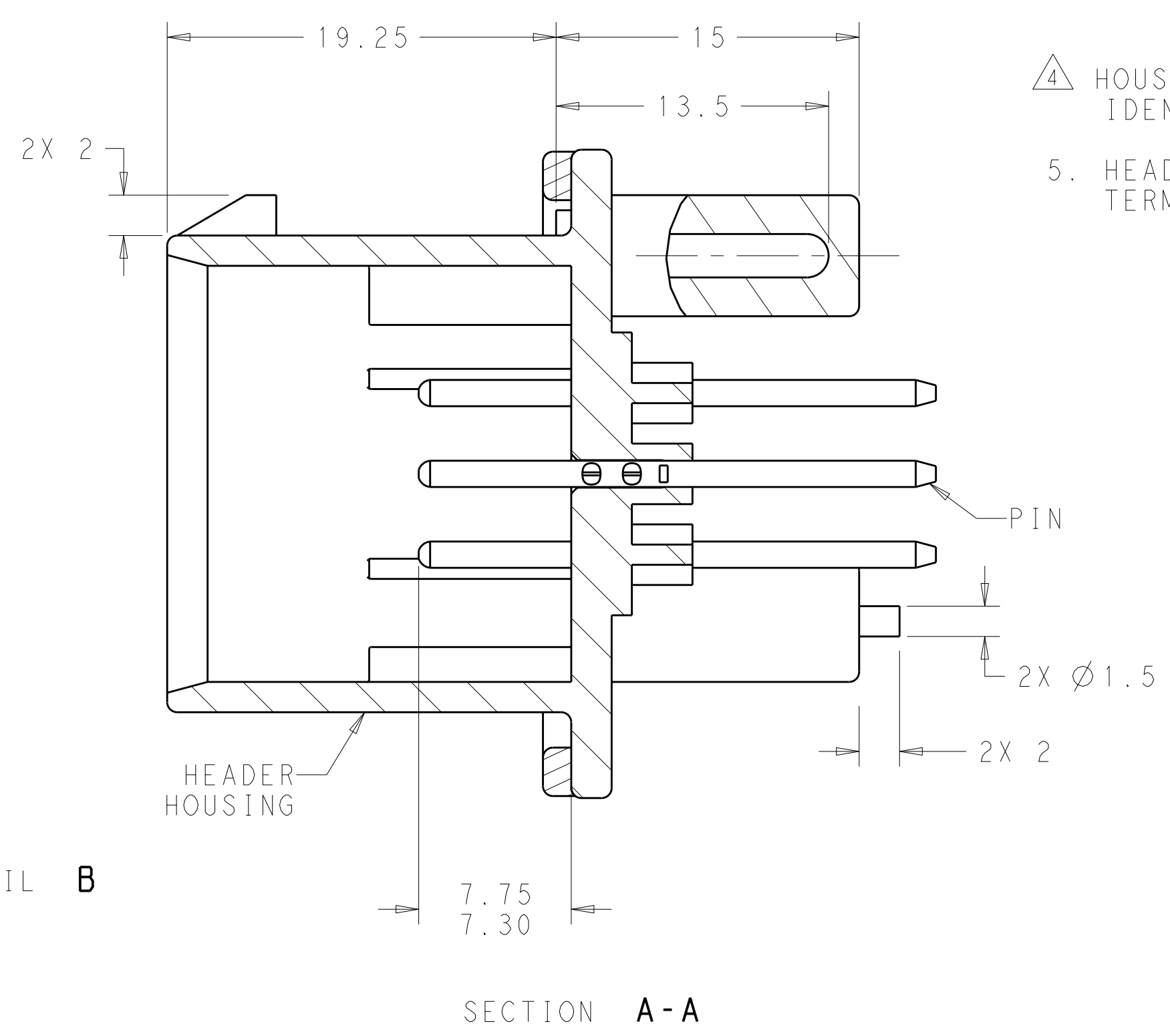
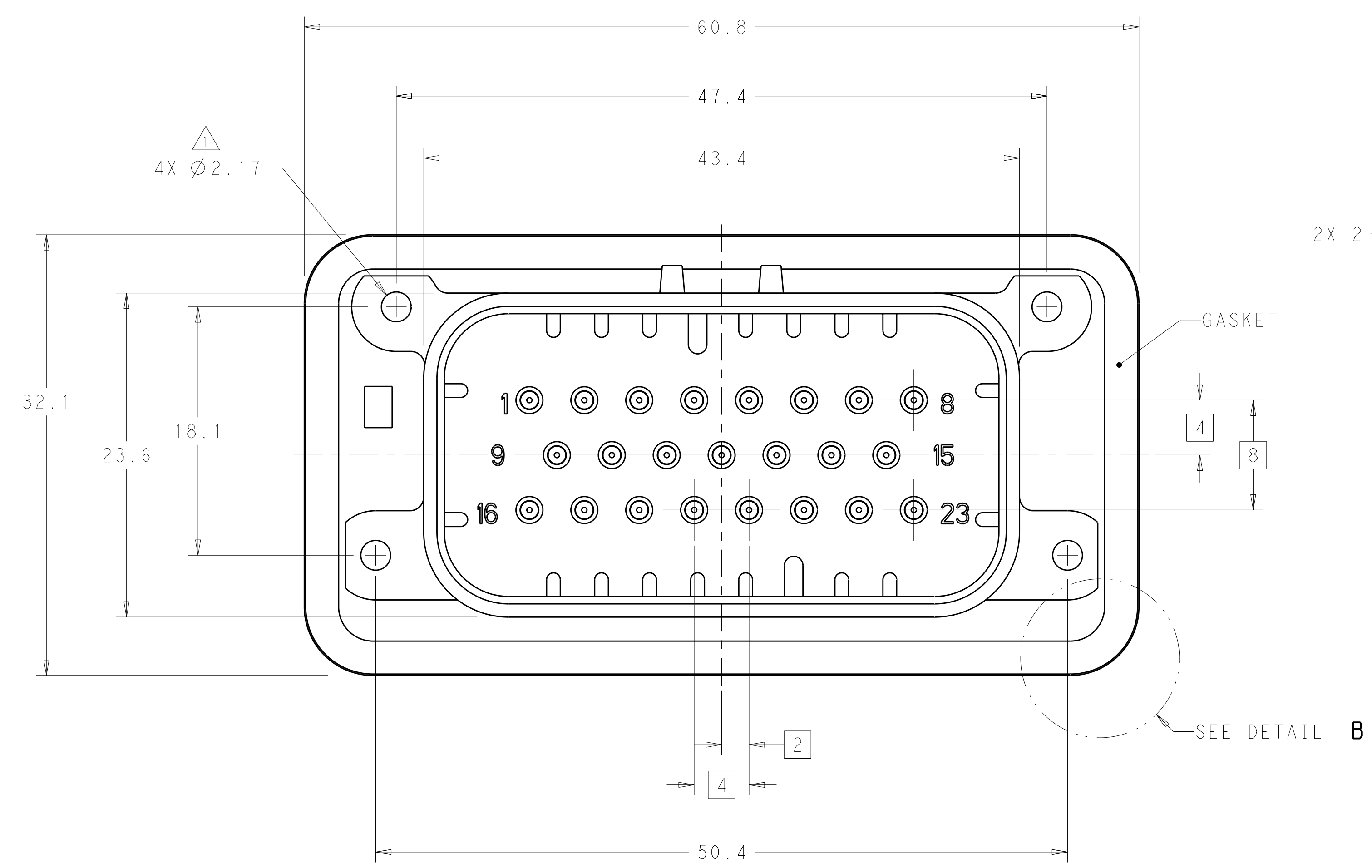
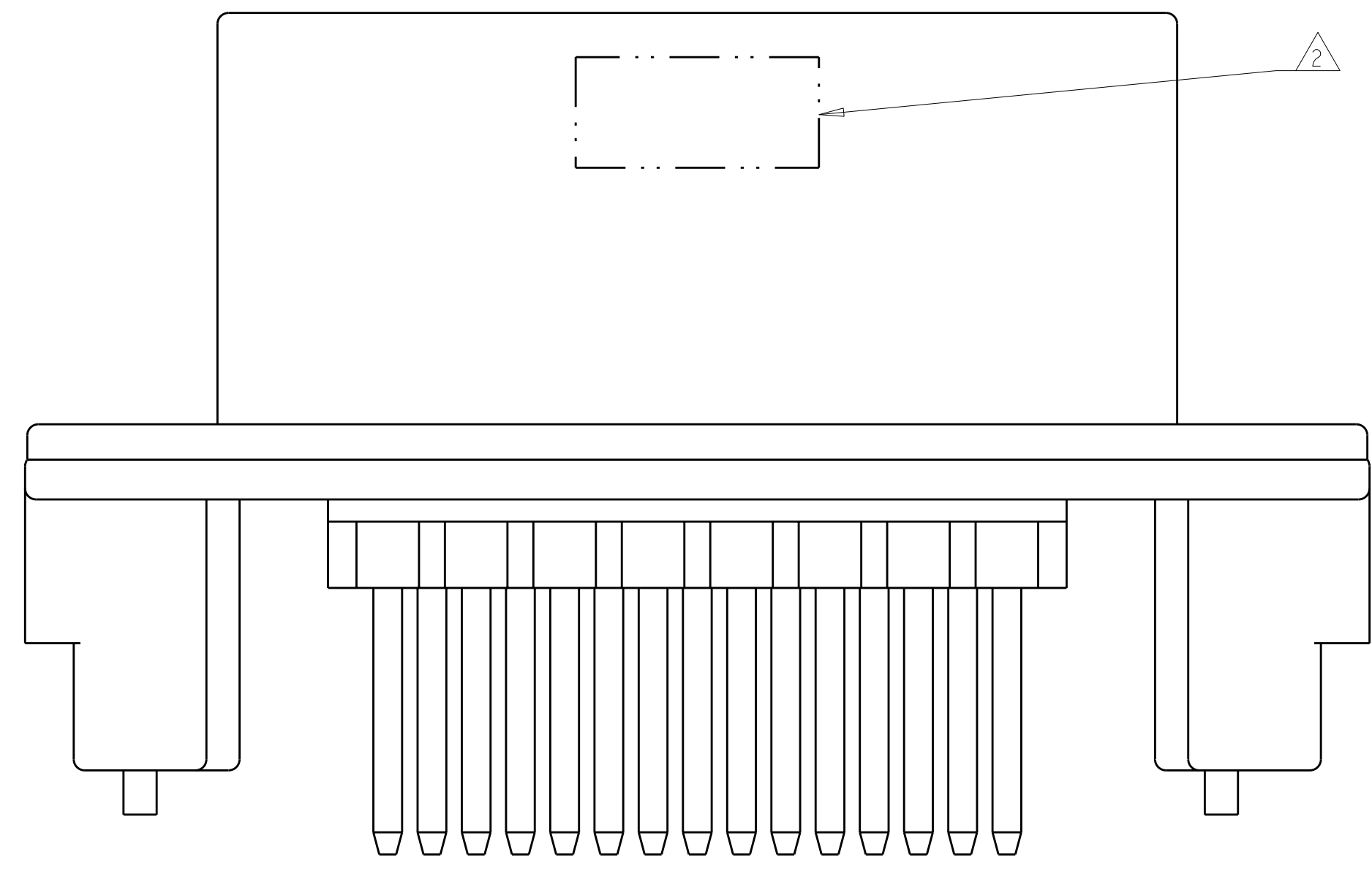


LOC	DIST	REV	DATE	BY	CHK	APPV
BV	00	C5	11MAR2011	RK	HMR	



- 1 ACCEPTS #4 SELF TAPPING THREAD CUTTING SCREWS OR METRIC EQUIVALENT. DRIVE TO 0.6 N-m MAX
- 2 DATE CODE IN THIS LOCATION USING 5 DIGIT CODE FIRST 2 DIGITS = YEAR, SECOND 2 DIGITS = WEEK LAST DIGIT = DAY.
- 3 MATERIALS: HEADER HOUSING - GLASS FILLED PBT  
PINS - TIN OR GOLD PLATED BRASS  
GASKET - SILICONE
- 4 HOUSING COLORS ARE MECHANICALLY KEYS TO MATE ONLY WITH IDENTICALLY COLORED PLUG ASSEMBLIES.
- 5. HEADER MATES TO PLUG ASSEMBLY 770680 WHICH USES REELED TERMINAL 770520 OR LOOSE PIECE TERMINAL 770854



776228-1 & 1-776228-1 SHOWN

HEADER COLOR	PLATING	PART NUMBER
BLUE	DURAGOLD	1-776228-5
GRAY	DURAGOLD	1-776228-4
NATURAL	DURAGOLD	1-776228-2
BLACK	DURAGOLD	1-776228-1
BLUE	TIN	776228-5
GRAY	TIN	776228-4
NATURAL	TIN	776228-2
BLACK	TIN	776228-1

THIS DRAWING IS A CONTROLLED DOCUMENT.

DWN: D. STRAUSSER 05MAR2010  
 CHK: D. STRAUSSER 22MAR2010  
 APPV: D. STRAUSSER 27APR2010

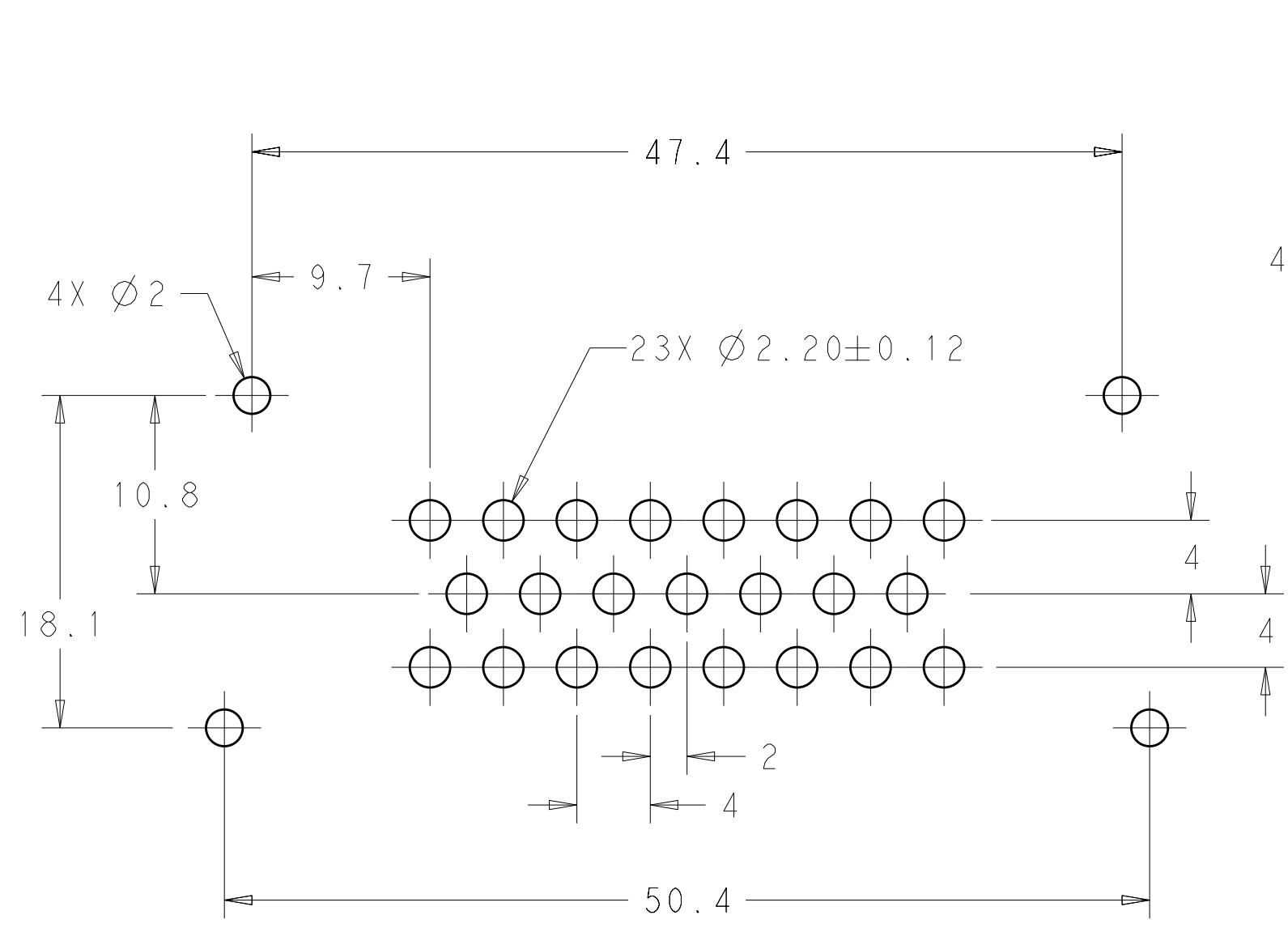
STE TE Connectivity

ASSEMBLY, HEADER, 23 POSITION, VERTICAL, AMPSEAL WITH FLANGE SEAL

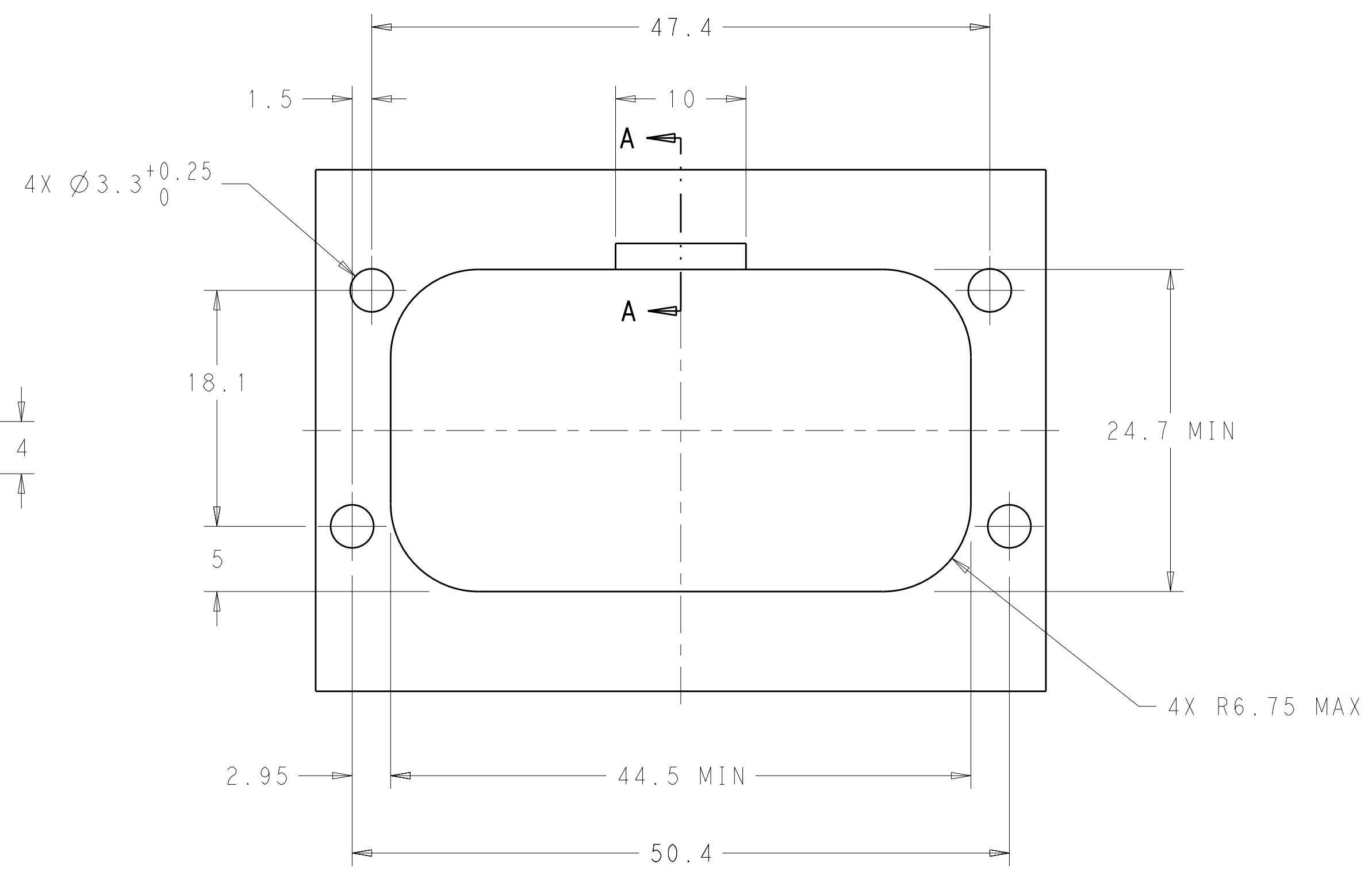
108-1329  
 114-16016

SCALE 4:1 SHEET 1 OF 2 REV C5

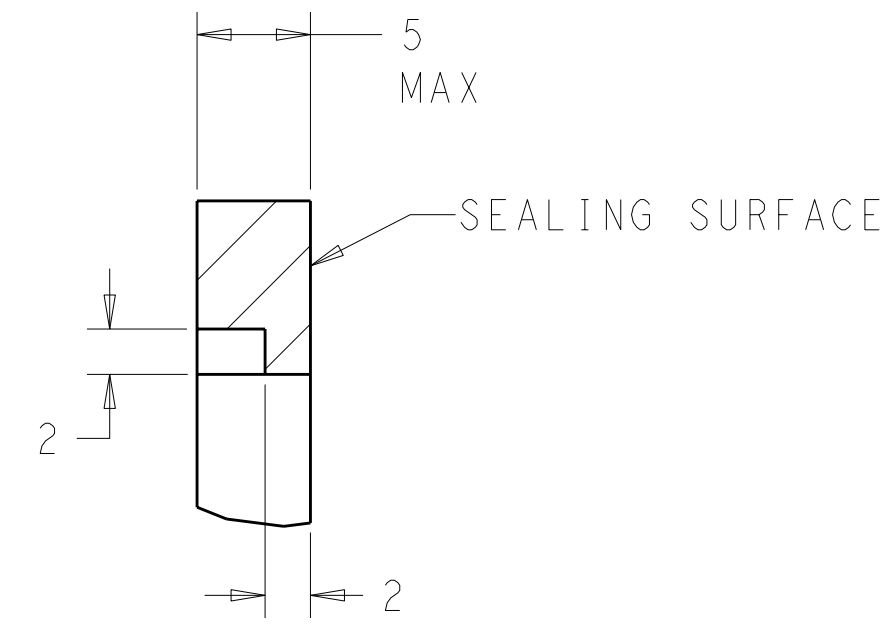
LOC	DIST	REV	DATE	BY	APPD
BV	00				
DESCRIPTION			DATE	DWN	APPD
SEE SHEET 1					



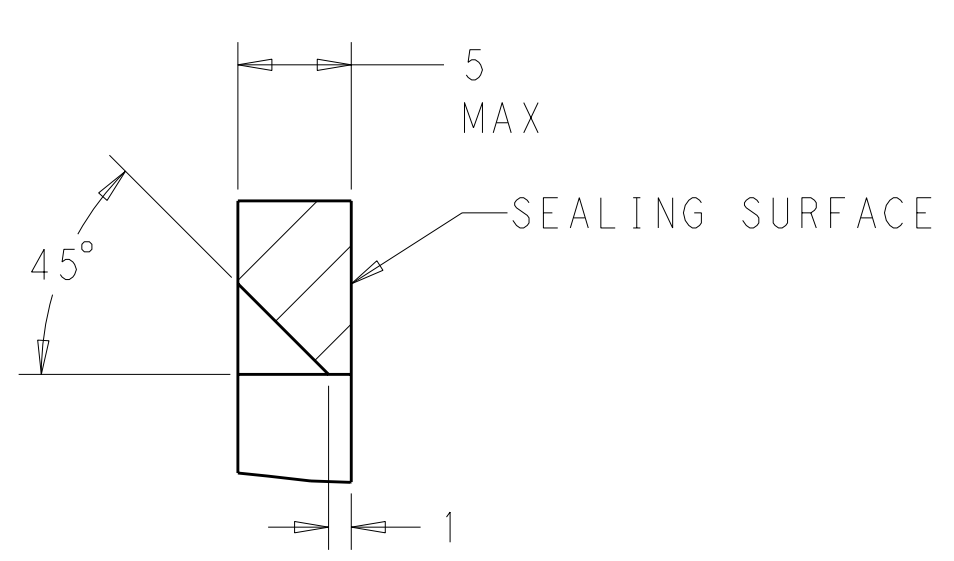
RECOMMENDED P.C. BOARD LAYOUT FOR 1.57 THICK P.C. BOARD



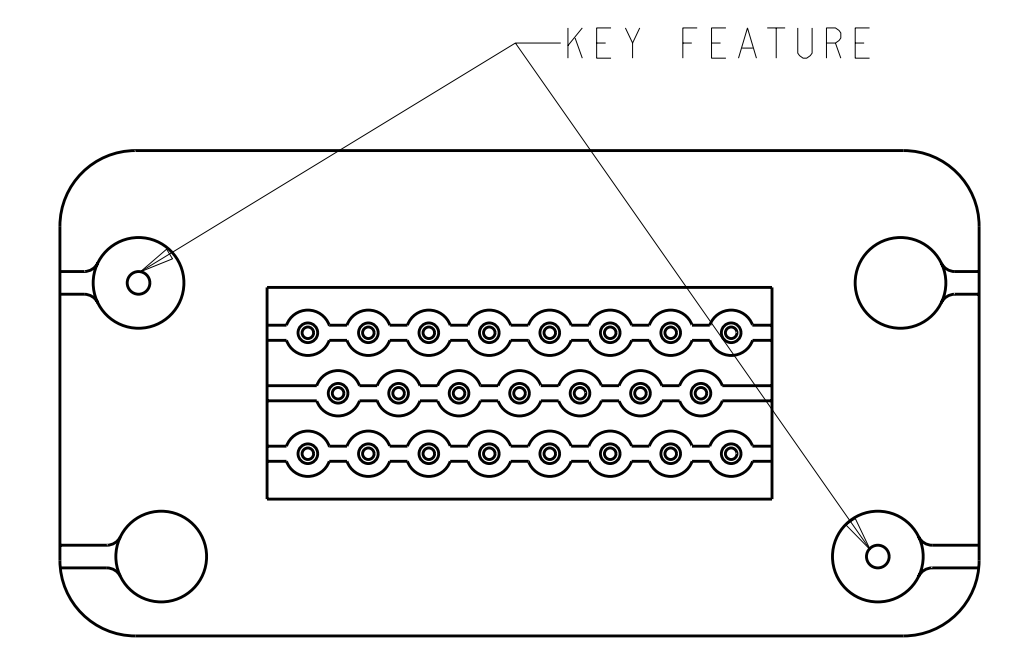
RECOMMENDED MOUNTING HOLE LAYOUT FOR 5.0 MAX THICK PANEL



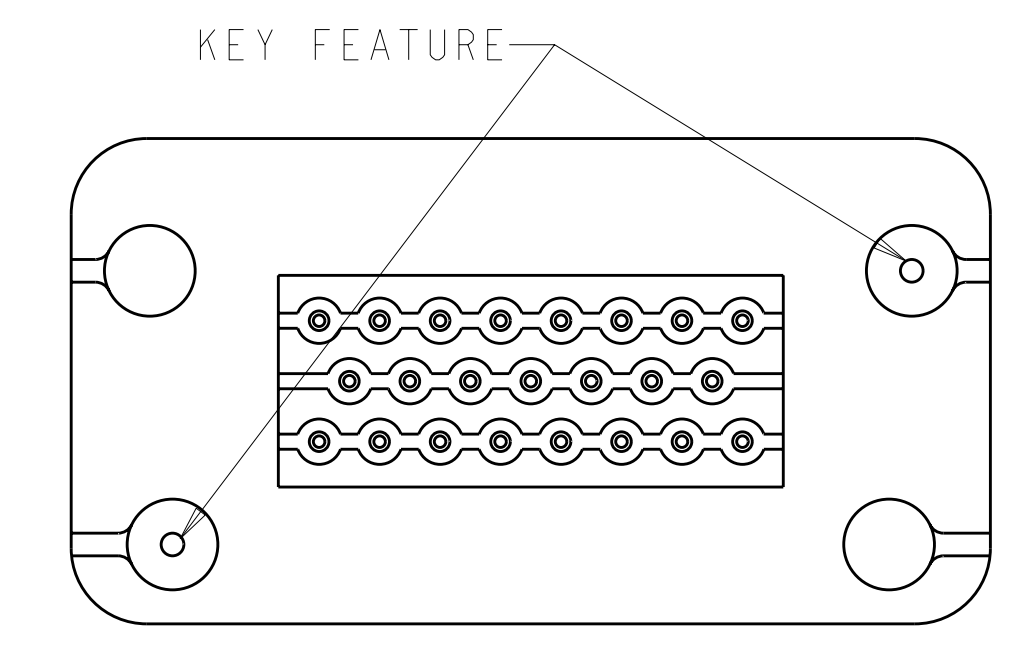
SECTION A-A  
 OPTIONAL CONSTRUCTION IF PANEL THICKNESS IS GREATER THAN 2.0



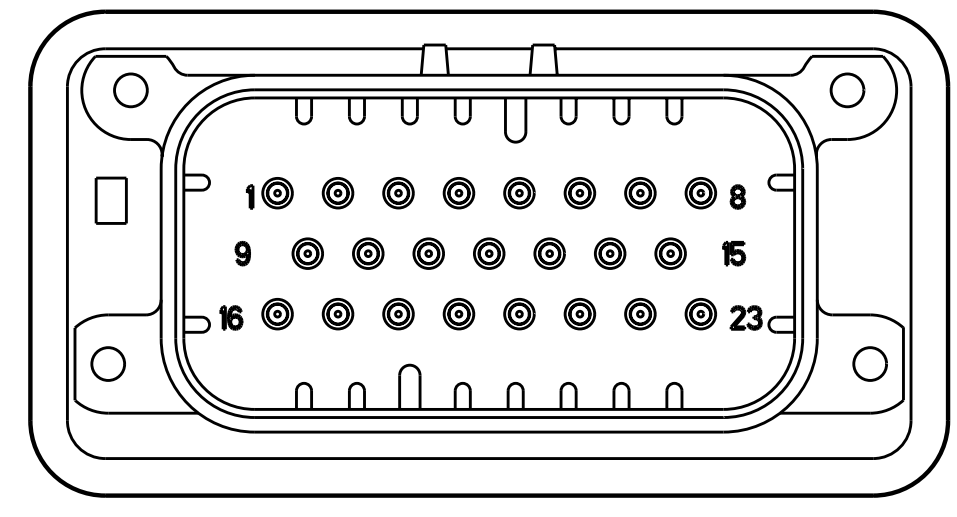
SECTION A-A  
 OPTIONAL CONSTRUCTION IF PANEL THICKNESS IS GREATER THAN 2.0



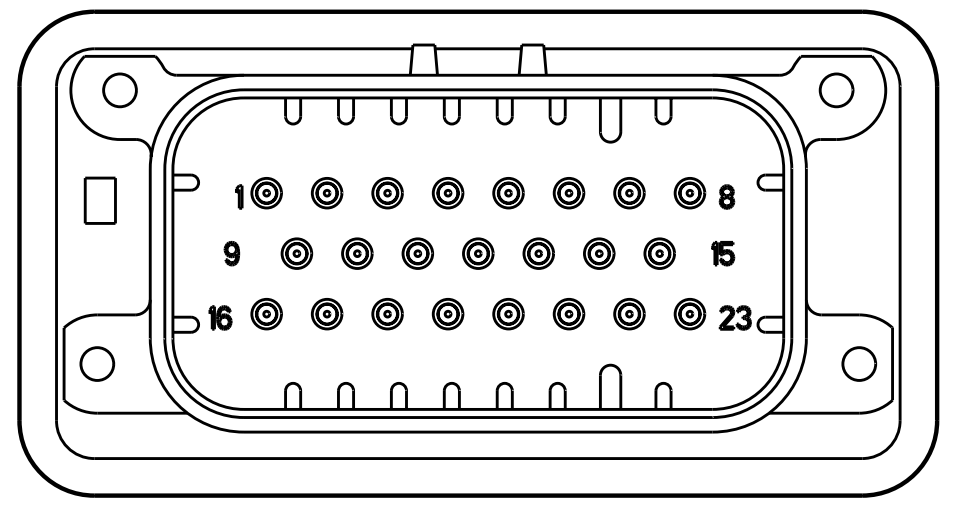
KEYING FOR 776228-1 AND 776228-5  
 SCALE 2:1



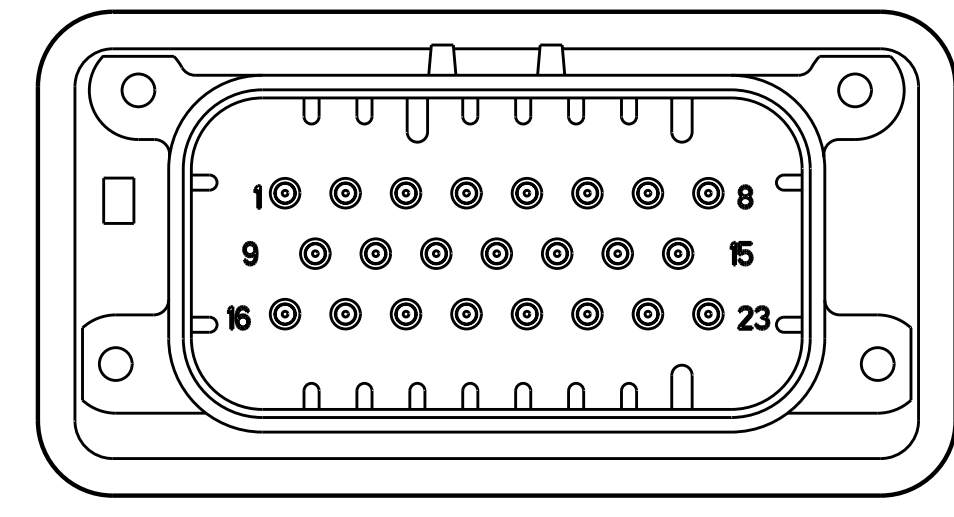
KEYING FOR 776228-2 AND 776228-4  
 SCALE 2:1



776228-2 & 1-776228-2  
 KEY LOCATION  
 SCALE 2:1



776228-4 & 1-776228-4  
 KEY LOCATION  
 SCALE 2:1



776228-5 & 1-776228-5  
 KEY LOCATION  
 SCALE 2:1

THIS DRAWING IS A CONTROLLED DOCUMENT.		DWN: D. STRAUSSER 05MAR2010	STE TE Connectivity	
DIMENSIONS: mm		CHK: D. STRAUSSER 22MAR2010	ASSEMBLY, HEADER, 23 POSITION, VERTICAL, AMPSEAL WITH FLANGE SEAL	
TOLERANCES UNLESS OTHERWISE SPECIFIED:		APVD: D. STRAUSSER 27APR2010	SIZE: CAGE CODE: DRAWING NO: A100779C-776228	
9 PLC ±		PRODUCT SPEC	RESTRICTED TO	
1 PLC ±0.2		108-1329	SCALE: 2:1 SHEET 2 OF 2 REV: C5	
2 PLC ±0.13		APPLICATION SPEC		
3 PLC ±		114-16016		
4 PLC ±		WEIGHT		
ANGLES ±°		FINISH		
MATERIAL		CUSTOMER DRAWING		