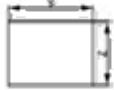
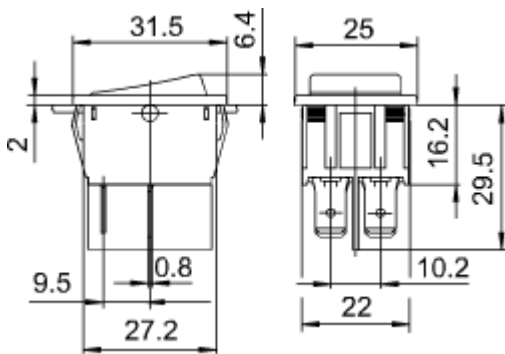




Marquardt Mechatronik GmbH  
Schloss-Str. 16  
78604 Rietheim-Weilheim  
Germany

Phone: +49 (0) 7424 / 99-0  
Fax: +49 (0) 7424 / 99-2399  
Net: www.marquardt.de  
E-mail: marquardt@marquardt.de

## Product image / Drawings



X = wall thickness

| X             | Y         | Z         |
|---------------|-----------|-----------|
| 0.75 ... 1.25 | 30 -0.1   | 22.2 +0.2 |
| 1.25 ... 2    | 30.2 -0.1 | 22.2 +0.2 |
| 2 ... 3       | 30.6 -0.1 | 22.2 +0.2 |

## Technical data

|                                             |                                                      |               |
|---------------------------------------------|------------------------------------------------------|---------------|
| <b>Product number</b>                       | <b>1832.3307</b>                                     |               |
| Product family                              | Rocker switches                                      |               |
| Actuation type                              | direct                                               |               |
| Weight                                      | 10.411 g                                             |               |
| ROHS conform                                | yes                                                  |               |
| Switching function                          | ON / OFF switch (DPST)                               |               |
| Material fixed contact                      | Cu silver-plated                                     |               |
| Number of poles                             | 2 - pole                                             |               |
| connections                                 | Quick-connect terminal, 6.3 x 0.8                    |               |
| Rating IEC                                  | 10 (4) A 250 V AC 1E4<br>6 (4) A 250 V AC 5E4        |               |
| Rating North America                        | 6 A 125 V AC 1/4 HP<br>6 A 250 V AC 1/2 HP           |               |
| Contact resistance (new condition)          | < 100 (1 A 12 V DC) mOhm                             |               |
| Insulation resistance (new condition)       | > 100 (500 V DC) MOhm                                |               |
| Voltage strength at 250 V                   | function insulation / basic insulation               | 1 500 V       |
|                                             | reinforced insulation                                | 3 000 V       |
|                                             | small contact distance                               | 500 V         |
| Proof tracking                              | 250 PTI                                              |               |
| Insulation spacing                          | acc. to EN 61058 for reinforced or double insulation |               |
| Protection type                             | Connection                                           | IP 40         |
|                                             | Actuator                                             | IP 40         |
| Temperatures                                | Connection side min.                                 | -20 °C        |
|                                             | Connection side max.                                 | 105 °C        |
|                                             | Actuation side min.                                  | -20 °C        |
|                                             | Actuation side max.                                  | 55 °C         |
|                                             | Storage temperature min.                             | -40 °C        |
|                                             | Storage temperature max.                             | 80 °C         |
| Flammability                                | UL 94 V-2                                            |               |
| Glow wire test temperature                  | 850 °C                                               |               |
| Actuators and additional actuators          | rocker: PA, black, identification white              |               |
| Housing description                         | housing: PA, black                                   |               |
| Connection surface                          | bearing connection                                   | silver plated |
|                                             | external connection                                  | silver plated |
| Contact material                            | Ag                                                   |               |
| Contact distance                            | ≥ 3 mm                                               |               |
| Rating Code UL                              | R 30                                                 |               |
| Contact type                                | lifting contact                                      |               |
| Plug force of the terminals                 | ≤ 80 N                                               |               |
| Approval marks                              | CSA / ENEC 05 / UL                                   |               |
| Suitable for appliances of protection class | II                                                   |               |
| Additional labeling                         | site, year, week of manuf. acc. to DIN EN 60062      |               |

|                   |                                  |
|-------------------|----------------------------------|
| Type of fastening | Snap fastening                   |
| Stock version     | <input checked="" type="radio"/> |