

Customer Information Sheet

DRAWING No.: M50-315XX42

SHEET 2 OF 2

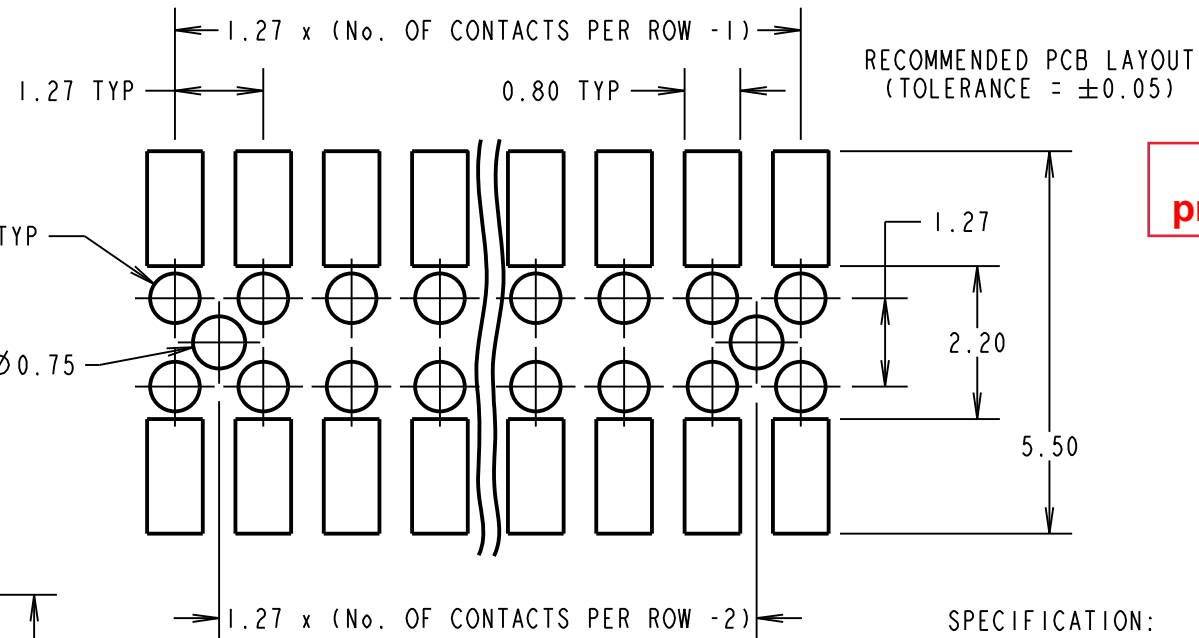
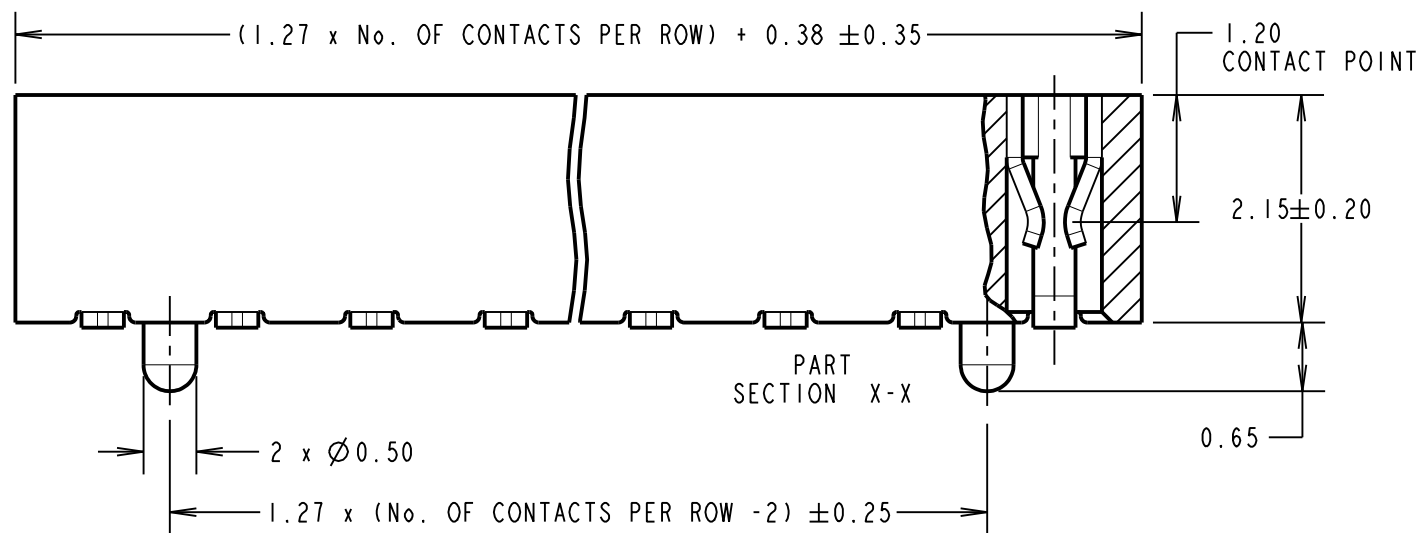
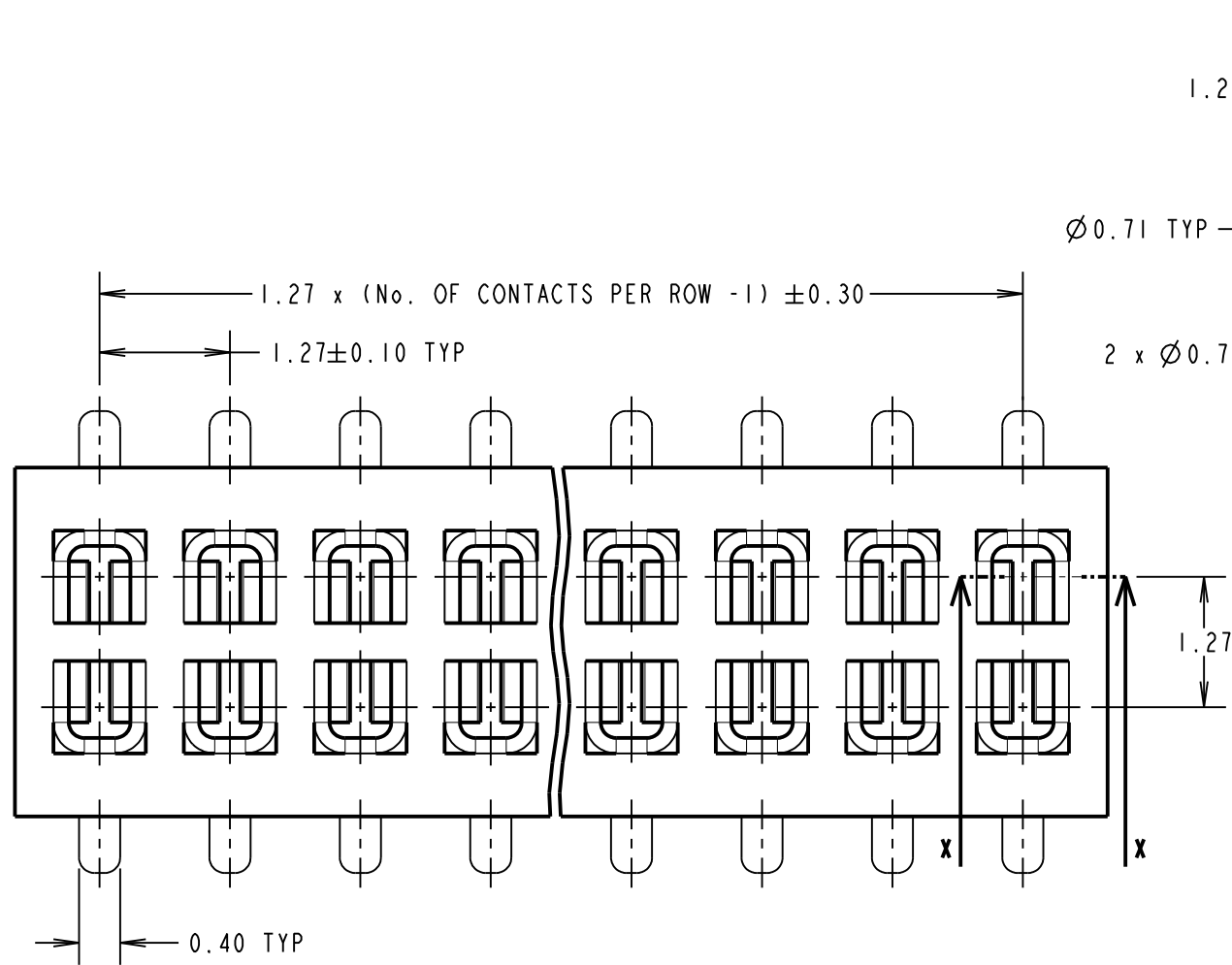
IF IN DOUBT - ASK

©

NOT TO SCALE

THIRD ANGLE PROJECTION

ALL DIMENSIONS IN mm



Active products:

- M50-3150342
- M50-3150542
- M50-3150642
- M50-3150842
- M50-3151042
- M50-3151242
- M50-3151542
- M50-3152042
- M50-3152542

OBSOLETE
All other size/finish combinations not listed

ORDER CODE

M50-315XX42

No. OF CONTACTS PER ROW: _____
03 TO 40

FINISH: _____
42 = GOLD FLASH + 100% TIN OVER NICKEL

SPECIFICATION:

MATERIAL:

MOULDING = NYLON-6T, UL94V-0, BLACK

CONTACTS = PHOSPHOR BRONZE

FINISH:

CONTACTS = 1.27µ NICKEL ALL OVER,
GOLD FLASH ON CONTACT AREA,
2.54µ 100% TIN ON TAILS

ELECTRICAL:

CURRENT RATING = 1A

CONTACT RESISTANCE = 20mΩ MAX

INSULATION RESISTANCE = 1000MΩ MIN

DIELECTRIC WITHSTANDING = 500V AC FOR ONE MINUTE

MECHANICAL:

DURABILITY = 300 CYCLES MIN

INSERTION FORCE = 1.5N MAX PER CONTACT

WITHDRAWAL FORCE = 0.2N MIN PER CONTACT

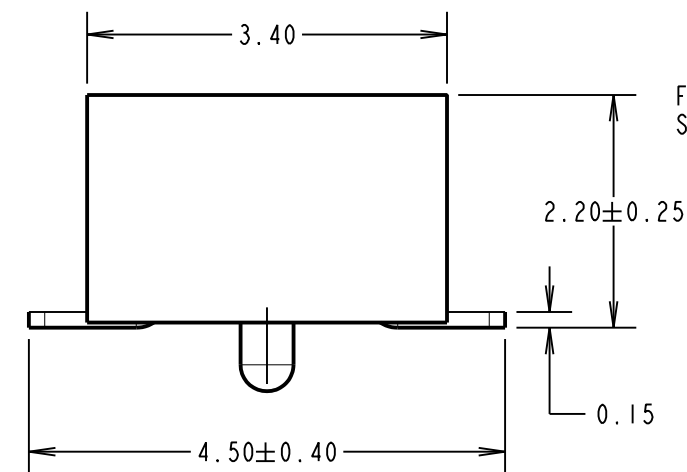
ENVIRONMENTAL:

TEMPERATURE RANGE = -40°C TO +105°C

PACKING:

TUBE

FOR COMPLETE SPECIFICATION, SEE COMPONENT SPECIFICATION C029XX (LATEST ISSUE)



NOTE:
1. ALL TOLERANCES ARE ±0.15 UNLESS OTHERWISE STATED.

HARWIN

www.harwin.com
technical@harwin.com

THIS DRAWING AND ANY INFORMATION OR DESCRIPTIVE MATTER SET OUT HEREON ARE CONFIDENTIAL AND COPYRIGHT PROPERTY OF THE HARWIN GROUP AND MUST NOT BE DISCLOSED, LOANED, COPIED OR USED FOR MANUFACTURING, TENDERING OR FOR ANY OTHER PURPOSE WITHOUT THEIR WRITTEN PERMISSION.

TOLERANCES

X = ±1mm
X.X = ±0.50mm
X.XX = ±0.10mm
X.XXX = ±0.01mm
ANGLES = ±5°
UNLESS STATED

MATERIAL:

SEE ABOVE

FINISH:

SEE ABOVE

S/AREA:

mm²

TITLE:

1.27mm PITCH DIL SMT VERT.
LOW-PROFILE SOCKET ASSY

DRAWING NUMBER:

M50-315XX42

MSP	16	08.08.16	13112
NAME	ISS.	DATE	C/NOTE
APPROVED:		M. PERREN	
CHECKED:		S. BENNETT	
DRAWN:		W. J. BOURNE	
CUSTOMER REF.:			
ASSEMBLY DRG:			

SHT
2 OF 2

Mouser Electronics

Authorized Distributor

Click to View Pricing, Inventory, Delivery & Lifecycle Information:

[Harwin:](#)

[M50-3150542](#) [M50-3150642](#) [M50-3150742](#) [M50-3150842](#) [M50-3150942](#) [M50-3151042](#) [M50-3151142](#) [M50-3151242](#) [M50-3151542](#) [M50-3152042](#) [M50-3152542](#) [M50-3153042](#) [M50-3153542](#) [M50-3154042](#) [M50-3154542](#)
[M50-3150442](#) [M50-3150342](#)