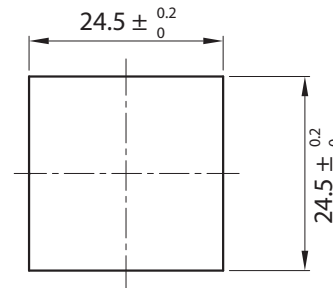
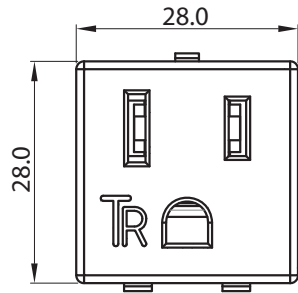
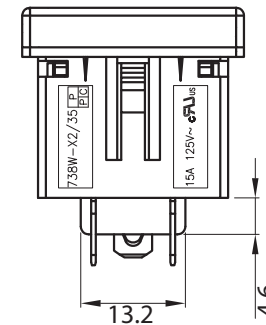
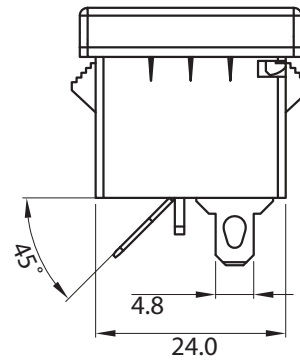
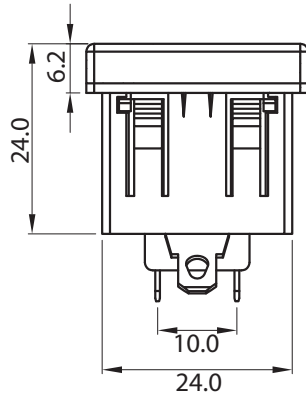
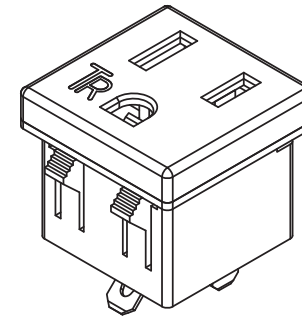


THESE DRAWINGS ARE THE PROPERTY OF QUALTEK ELECTRONICS AND NOT TO BE REPRODUCED FOR OR COMMUNICATED TO A THIRD PARTY WITHOUT THE EXPRESS WRITTEN PERMISSION OF AN OFFICER OF QUALTEK ELECTRONICS.

REVISION			
REV.	DESCRIPTION	DATE	APPROVED



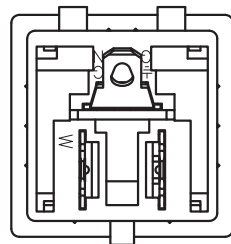
PANEL CUTOUT



NOTES:

MATERIAL:

- TOP COVER: PC BLACK COLOR
- BODY: NYLON BLACK COLOR
- SPRING: SWC
- GN TERMINAL: BRASS t=0.6mm Tin-Plated
- BK TERMINAL: BRASS t=0.6mm Tin-Plated
- WHT TERMINAL: BRASS t=0.6mm Tin-Plated
- RATING: 15A 125V AC
- APPROVALS: UL, cUL
- PANEL THICKNESS: 0.8~2.0mm
- TAMPER RESISTANT
- RoHS COMPLIANT



CONTROLLED

Dim range (mm)	Tolerance +/- (mm)	Qualtek Electronics Corp. PPC DIVISION		
		Part Number: 738W-X2/35	RoHS Compliant	
0-1	0.20	Description: AC RECEPTACLE		
1-6	0.25			
6-18	0.40	UNIT: mm		
18-50	0.50			
50-120	0.70	Drawn / Date	Checked / Date	Approved / Date
120-250	0.90	R. Nuti 11-03-16	11-03-16	LY / 11-03-16
250-500	1.20			

Mouser Electronics

Authorized Distributor

Click to View Pricing, Inventory, Delivery & Lifecycle Information:

[Qualtek:](#)

[738W-X2/35](#)