

Linear Series

AC-DC Power Supplies

The Bel Power Solutions produces the industry's broadest selection of Linear power supplies with output voltages from 5 to 48 Volts. Rugged technology and proven design merge to create quiet, highly-regulated, dependable DC power.

The Linear power supplies are approved to domestic and international regulatory standards, and are CE Marked to the Low Voltage Directive (LVD).



Key Features & Benefits

- RoHS compatible for all six substances
- Worldwide AC Input Capabilities:
 - 100/120/220/230/240 VAC
 - $\pm 0.05\%$ Output Regulation
 - Low Output Ripple
 - Mean Time Before Failure (MTBF) 300,000 Hours
 - CE marked to Low Voltage Directive
 - 100% Burn-In
 - 2 Year Warranty
- Overvoltage Protection (OVP) Standard on 5 V Single Outputs, Optional for other outputs under 48 V

Applications

Used in industrial and medical applications needing low noise/ripple – amplifiers, acoustic, broadcast, ATE and control equipment.



bel POWER
SOLUTIONS &
PROTECTION

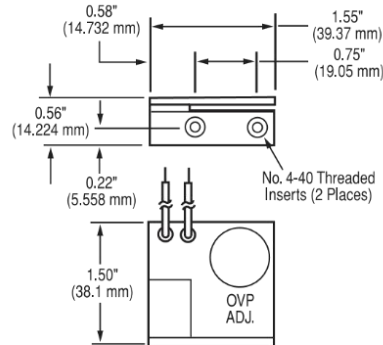
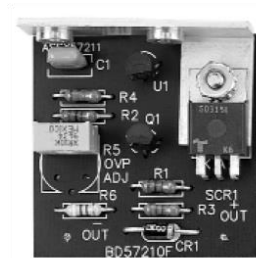
a bel group

belfuse/power-solutions

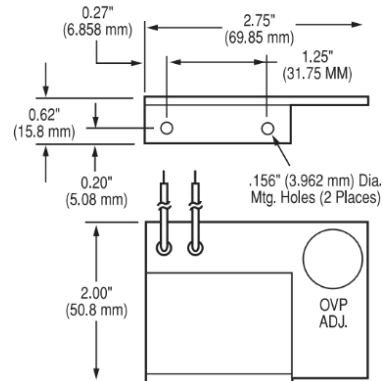
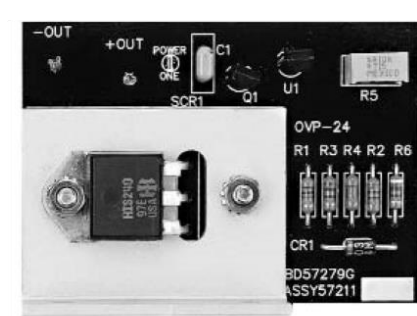
1. OVERVOLTAGE PROTECTION OPTIONS

These optional overvoltage protection modules are offered for use with Linear Power Supplies. Each is user adjustable from 6.4 V to 34 V.

OVP-12G



OVP-24G



2. OVP SELECTION GUIDE

| MODEL | CASE SIZE | OVP MODULES REQUIRED * |
|---------------------|------------------------------------|--|
| SINGLE OUTPUT | B, C, N, D | OVP-12G |
| | E, F | OVP-24G |
| DUAL OUTPUT | AA, B, BB, CC | OVP-12G protects both outputs |
| | E | OVP-24G protects both outputs |
| TRIPLE OUTPUT | AA, BAA, D CBB, 131 DBB, DCC | OVP-12G protects both 12 V through 15 V outputs |
| PEAK CURRENT MODELS | N, BAA, CBB 131 | OVP-12G protects any output not provided with built-in OVP |

* Outputs with factory built-in OVP are indicated in the Voltage/Current Rating Chart for each model. OVP is not available for 48 V models.

3. MODEL SELECTION – SINGLE OUTPUT

| Model Input 100 to 264 VAC | Nominal Vout* | Max Amps | Case Type | Additional Features |
|-------------------------------|------------------|-------------|--------------|------------------------|
| 5 Vout | | | | |
| HA5-1.5/OVP-AG | 5 | 1.5 | B | A |
| HB5-3/OVP-AG | 5 | 3 | B | A, C |
| HC5-6/OVP-AG | 5 | 6 | C | A, C |
| HN5-9/OVP-AG | 5 | 9 | N | A, C |
| HD5-12/OVP-AG | 5 | 12 | D | A, C |
| HE5-18/OVP-AG | 5 | 18 | E | A, C |
| F5-25/OVP-AG | 5 | 25 | F | A, C, D, H |
| G5-35/OVP-AG | 5 | 35 | F | A, C, D, H |
| CP197-AG | 5 | 50 | F | A, C, D |
| 12 to 15 Vout | | | | |
| HA15-0.9-AG | 12 | 0.9 | B | |
| HB12-1.7-AG | 12 | 1.7 | B | C |
| HC12-3.4-AG | 12 | 3.4 | C | C |
| HN12-5.1-AG | 12 | 5.1 | N | C |
| HD12-6.8-AG | 12 | 6.8 | D | C |
| HE12-10.2-AG | 12 | 10.2 | E | C |
| F15-15-AG | 12 | 16 | F | C, D, H |
| HA15-0.9-AG | 15* | 0.9 | B | |
| HB15-1.5-AG | 15 | 1.5 | B | C |
| HC15-3-AG | 15 | 3 | C | C |
| HN15-4.5-AG | 15 | 4.5 | N | C |
| HD15-6-AG | 15 | 6 | D | C |
| HE15-9-AG | 15 | 9 | E | C |
| F15-15-AG | 15* | 15 | F | C, D, H |

| Case Type | Dimensions | |
|-----------|---------------------|--------------------------|
| | inches | millimeters |
| AA | 6.50 x 4.00 x 2.10 | 165.10 x 101.60 x 53.34 |
| B | 4.87 x 4.00 x 2.10 | 123.70 x 101.60 x 53.34 |
| BAA | 10.25 x 4.00 x 2.95 | 260.35 x 101.60 x 74.93 |
| BB | 7.00 x 4.87 x 2.95 | 177.80 x 123.70 x 74.93 |
| C | 5.62 x 4.87 x 2.95 | 142.75 x 123.70 x 74.93 |
| CBB | 11.00 x 4.87 x 3.28 | 279.40 x 123.70 x 83.31 |
| CC | 9.38 x 4.87 x 3.28 | 238.25 x 123.70 x 83.31 |
| CP131 | 11.00 x 4.87 x 3.28 | 279.40 x 123.70 x 83.31 |
| D | 9.00 x 4.87 x 3.28 | 228.60 x 123.70 x 83.31 |
| DBB | 14.25 x 4.87 x 3.38 | 361.95 x 123.70 x 85.85 |
| DCC | 15.00 x 4.88 x 4.55 | 381.00 x 123.95 x 115.57 |
| E | 14.00 x 4.87 x 3.53 | 355.60 x 123.70 x 89.66 |
| F | 16.75 x 4.88 x 5.00 | 425.50 x 123.95 x 127.00 |
| N | 7.00 x 4.87 x 3.28 | 177.80 x 123.70 x 83.31 |

| Model Input 100 to 264 VAC | Nominal Vout* | Max Amps | Case Type | Additional Features |
|-------------------------------|------------------|-------------|--------------|------------------------|
| 24 to 28 Vout | | | | |
| HA24-0.5-AG | 24 | 0.5 | B | |
| HB24-1.2-AG | 24 | 1.2 | B | C |
| HC24-2.4-AG | 24 | 2.4 | C | C |
| HN24-3.6-AG | 24 | 3.6 | N | C |
| HD24-4.8-AG | 24 | 4.8 | D | C |
| HE24-7.2-AG | 24 | 7.2 | E | C |
| F24-12-AG | 24 | 12 | F | C, D, H |
| HA24-0.5-AG | 28* | 0.5 | B | |
| HB28-1-AG | 28 | 1 | B | C |
| HC28-2-AG | 28 | 2 | C | |
| HN28-3-AG | 28 | 3 | N | C |
| HD28-4-AG | 28 | 4 | D | C |
| HE28-6-AG | 28 | 6 | E | C |
| F24-12-AG | 28* | 10 | F | C, D, H |
| 48 Vout | | | | |
| HB48-0.5-AG | 48 | 0.5 | B | |
| HC48-1-AG | 48 | 1 | C | |
| HD48-3-AG | 48 | 3 | D | C |
| HE48-4-AG | 48 | 4 | E | C |

* May require jumpering or potentiometer adjustment.

Model numbers highlighted in yellow are not recommended for new designs.

Additional Features:

- A Overvoltage protection, set at 6.2 V ±0.4 V.
- B Non-adjustable 3-terminal regulator.
- C Remote sense provided.
- D With output inhibit & parallel operation master/slave capability.
- E With output inhibit.
- F Adjustable 3-terminal regulator.
- G Can be made into an isolated output by removing jumper W1.
- H Model requires 100 LFM forced-air cooling above 75% of rated output power at 50°C.



Asia-Pacific
+86 755 298 85888

Europe, Middle East
+353 61 225 977

North America
+1 408 785 5200

4. MODEL SELECTION – DUAL OUTPUT

| Model Input 100 to 264 VAC | Nominal Vout* | Max Amps | Case Type | Additional Features |
|-------------------------------|------------------|-------------|--------------|------------------------|
| 5 to 15 Vout | | | | |
| HAA5-1.5/OVP-AG | +5, -5 | 1.5, 1.5 | AA | A |
| HBB5-3/OVP-AG | +5, -5 | 3, 3 | BB | A |
| HCC5-6/OVP-AG | +5, -5 | 6, 6 | CC | A, C |
| HAA512-AG | 5, 12 to 15 | 2, 0.5 | AA | A |
| HBB512-AG | 5, 12 to 15 | 3, 1.25 | BB | A, C |
| HCC512-AG | 5, 12 to 15 | 6, 2.5 | CC | A, C |
| HAA15-0.8-AG | +12, -5* | 1, 0.4 | AA | C |
| HBB15-1.5-AG | +12, -5* | 1.7, 0.7 | BB | C |
| HAD12-0.4-AG | +12, -12 | 0.4, 0.4 | B | B |
| HAA15-0.8-AG | +12, -12 | 1, 1 | AA | C |
| HBB15-1.5-AG | +12, -12 | 1.7, 1.7 | BB | C |
| HCC15-3-AG | +12, -12 | 3.4, 3.4 | CC | C |
| HDD15-5-AG | +12, -12* | 5, 5 | E | C |
| HAA15-0.8-AG | +12, -15* | 1, 0.8 | AA | C |
| HBB15-1.5-AG | +12, -15* | 1.7, 1.5 | BB | C |
| HCC15-3-AG | +12, -15* | 3.4, 3 | CC | C |
| HDD15-5-AG | +12, -15* | 5, 5 | E | C |
| HAA15-0.8-AG | +15, -5* | 0.8, 0.4 | AA | C |
| HBB15-1.5-AG | +15, -5* | 1.5, 0.7 | BB | C |
| HAA15-0.8-AG | +15, -12* | 0.8, 1 | AA | C |
| HBB15-1.5-AG | +15, -12* | 1.5, 1.7 | BB | C |
| HCC15-3-AG | +15, -12* | 3, 3.4 | CC | C |
| HDD15-5-AG | 15, -12* | 5, 5 | E | C |
| 15 to 24 Vout | | | | |
| HAD15-0.4-AG | +15, -15 | 0.4, 0.4 | B | B |
| HAA15-0.8-AG | +15, -15 | 0.8, 0.8 | AA | C |
| HBB15-1.5-AG | +15, -15* | 1.5, 1.5 | BB | C |
| HCC15-3-AG | +15, -15* | 3, 3 | CC | C |
| HDD15-5-AG | +15, -15 | 5, 5 | E | C |
| HAA24-0.6-AG | +24, -24 | 0.6, 0.6 | AA | |
| HBB24-1.2-AG | +24, -24 | 1.2, 1.2 | BB | |
| HCC24-2.4-AG | +24, -24 | 2.4, 2.4 | CC | C |

* May require jumpering or potentiometer adjustment.

Model numbers highlighted in yellow are not recommended for new designs.

| Case Type | Dimensions | |
|--------------|---------------------|--------------------------|
| | inches | millimeters |
| AA | 6.50 x 4.00 x 2.10 | 165.10 x 101.60 x 53.34 |
| B | 4.87 x 4.00 x 2.10 | 123.70 x 101.60 x 53.34 |
| BAA | 10.25 x 4.00 x 2.95 | 260.35 x 101.60 x 74.93 |
| BB | 7.00 x 4.87 x 2.95 | 177.80 x 123.70 x 74.93 |
| C | 5.62 x 4.87 x 2.95 | 142.75 x 123.70 x 74.93 |
| CBB | 11.00 x 4.87 x 3.28 | 279.40 x 123.70 x 83.31 |
| CC | 9.38 x 4.87 x 3.28 | 238.25 x 123.70 x 83.31 |
| CP131 | 11.00 x 4.87 x 3.28 | 279.40 x 123.70 x 83.31 |
| D | 9.00 x 4.87 x 3.28 | 228.60 x 123.70 x 83.31 |
| DBB | 14.25 x 4.87 x 3.38 | 361.95 x 123.70 x 85.85 |
| DCC | 15.00 x 4.88 x 4.55 | 381.00 x 123.95 x 115.57 |
| E | 14.00 x 4.87 x 3.53 | 355.60 x 123.70 x 89.66 |
| F | 16.75 x 4.88 x 5.00 | 425.50 x 123.95 x 127.00 |
| N | 7.00 x 4.87 x 3.28 | 177.80 x 123.70 x 83.31 |

Additional Features:

- A Overvoltage protection, set at 6.2 V ±0.4 V.
- B Non-adjustable 3-terminal regulator.
- C Remote sense provided.
- D With output inhibit and parallel operation master/slave capability.
- E With output inhibit.
- F Adjustable 3-terminal regulator.
- G Can be made into an isolated output by removing jumper W1.
- H Model requires 100 LFM forced-air cooling above 75% of rated output power at 50°C.

5. MODEL SELECTION – TRIPLE OUTPUT

Unsigned output voltages are isolated and can be used as either + or - polarities.

| Model Input 100 to 264 VAC | Nominal Vout* | Max Amps | Case Type | Additional Features |
|-------------------------------|------------------|--------------|-----------|------------------------|
| 5 to 24 Vout | | | | |
| HTAA-16W-AG | +5, +12, -5* | 2, 0.4, 0.4 | AA | A |
| HBAA-40W-AG | 5, +12, -5* | 3, 1, 0.4 | BAA | A, C |
| HCAA-60W-AG | +5, +12, -5* | 6, 1, 0.4 | D | A, C |
| HCBB-75W-AG | 5, +12, -5* | 6, 1.7, 0.7 | CBB | C |
| CP131-AG | 5, +12, -5* | 8, 1.7, 0.7 | CP131 | A, C |
| HDBB-105W-AG | 5, +12, -5* | 12, 1.7, 0.7 | DBB | A, C |
| HTAA-16W-AG | 5, +12, -12 | 2, 0.4, 0.4 | AA | A |
| HBAA-40W-AG | 5, +12, -12 | 3, 1, 1 | BAA | A, C |
| HCAA-60W-AG | +5, +12, -12 | 6, 1, 1 | D | A, C |
| HCBB-75W-AG | 5, +12, -12 | 6, 1.7, 1.7 | CBB | C |
| CP131-AG | 5, +12, -12 | 8, 1.7, 1.7 | CP131 | A, C |
| HDBB-105W-AG | 5, +12, -12 | 12, 1.7, 1.7 | DBB | C |
| HDCC-150W-AG | 5, +12, -12 | 12, 3.4, 3.4 | DCC | A, C |
| HTAA-16W-AG | 5, +12, -15* | 2, 0.4, 0.4 | AA | A |
| HBAA-40W-AG | 5, +12, -15* | 3, 1, 0.8 | BAA | A, C |
| HCAA-60W-AG | +5, +12, -15* | 6, 1, 1 | D | A, C |
| HCBB-75W-AG | 5, +12, -15 | 6, 1.7, 1.5 | CBB | C |
| CP131-AG | 5, +12, -15 | 8, 1.7, 1.5 | CP131 | A, C |
| HDBB-105W-AG | 5, +12, -15* | 12, 1.7, 1.5 | DBB | C |
| HDCC-150W-AG | 5, +12, -15 | 12, 3.4, 3 | DCC | A, C |
| HTAA-16W-AG | 5, +15, -5* | 2, 0.4, 0.4 | AA | A |
| HBAA-40W-AG | 5, +15, -5* | 3, 0.8, 0.4 | BAA | A, C |
| HCAA-60W-AG | +5, +15, -5* | 6, 1, 0.4 | D | A, C |
| HCBB-75W-AG | 5, +15, -5* | 6, 1.5, 0.7 | CBB | C |
| CP131-AG | 5, +15, -5* | 8, 1.5, 0.7 | CP131 | A, |
| HDBB-105W-AG | 5, +15, -5* | 12, 1.5, 0.7 | DBB | C |
| HTAA-16W-AG | 5, +15, -12* | 2, 0.4, 0.4 | AA | A |
| HBAA-40W-AG | 5, +15, -12* | 3, 0.8, 1 | BAA | A, C |
| HCAA-60W-AG | +5, +15, -12* | 6, 1, 1 | D | A, C |
| HCBB-75W-AG | 5, +15, -12 | 6, 1.5, 1.7 | CBB | C |
| CP131-AG | 5, +15, -12 | 8, 1.5, 1.7 | CP131 | A, C |
| HDBB-105W-AG | 5, +15, -12* | 12, 1.5, 1.7 | DBB | C |
| HDCC-150W-AG | 5, +15, -12 | 12, 3, 3.4 | DCC | A, C |
| HTAA-16W-AG | 5, +15, -15* | 2, 0.4, 0.4 | AA | A |
| HBAA-40W-AG | 5, +15, -15* | 3, 0.8, 0.8 | BAA | A, C |
| HCAA-60W-AG | +5, +15, -15* | 6, 1, 1 | D | A, C |
| HCBB-75W-AG | 5, +15, -15 | 6, 1.5, 1.5 | CBB | C |
| CP131-AG | 5, +15, -15 | 8, 1.5, 1.5 | CP131 | A, C |
| HDBB-105W-AG | 5, +15, -15* | 12, 1.5, 1.5 | DBB | C |
| HDCC-150W-AG | 5, +15, -15 | 12, 3, 3 | DCC | A, C |

| Case Type | Dimensions | |
|-----------|---------------------|--------------------------|
| | inches | millimeters |
| AA | 6.50 x 4.00 x 2.10 | 165.10 x 101.60 x 53.34 |
| B | 4.87 x 4.00 x 2.10 | 123.70 x 101.60 x 53.34 |
| BAA | 10.25 x 4.00 x 2.95 | 260.35 x 101.60 x 74.93 |
| BB | 7.00 x 4.87 x 2.95 | 177.80 x 123.70 x 74.93 |
| C | 5.62 x 4.87 x 2.95 | 142.75 x 123.70 x 74.93 |
| CBB | 11.00 x 4.87 x 3.28 | 279.40 x 123.70 x 83.31 |
| CC | 9.38 x 4.87 x 3.28 | 238.25 x 123.70 x 83.31 |
| CP131 | 11.00 x 4.87 x 3.28 | 279.40 x 123.70 x 83.31 |
| D | 9.00 x 4.87 x 3.28 | 228.60 x 123.70 x 83.31 |
| DBB | 14.25 x 4.87 x 3.38 | 361.95 x 123.70 x 85.85 |
| DCC | 15.00 x 4.88 x 4.55 | 381.00 x 123.95 x 115.57 |
| E | 14.00 x 4.87 x 3.53 | 355.60 x 123.70 x 89.66 |
| F | 16.75 x 4.88 x 5.00 | 425.50 x 123.95 x 127.00 |
| N | 7.00 x 4.87 x 3.28 | 177.80 x 123.70 x 83.31 |

Additional Features:

- A Overvoltage protection, set at 6.2 V ±0.4 V.
- B Non-adjustable 3-terminal regulator.
- C Remote sense provided.
- D With output inhibit and parallel operation master/slave capability.
- E With output inhibit.
- F Adjustable 3-terminal regulator.
- G Can be made into an isolated output by removing jumper W1.
- H Model requires 100 LFM forced-air cooling above 75% of rated output power at 50°C.

* May require jumpering or potentiometer adjustment.

Model numbers highlighted in yellow are not recommended for new designs.



Asia-Pacific
+86 755 298 85888

Europe, Middle East
+353 61 225 977

North America
+1 408 785 5200

6. INPUT SPECIFICATIONS

| PARAMETER | CONDITIONS / DESCRIPTION | MIN | NOM | MAX | UNITS | |
|---------------------------------|--|-------------|-----|-------|-------|-----|
| AC Input Voltage ^{1,2} | Jumper selectable, shipped factory configured for 120 VAC operation. All models must be externally fused for proper operation. | 100 VAC Tap | 87 | 100 | 110 | VAC |
| | Fuse ratings are marked on each unit. Consult factory for each unit's fuse requirements. | 120 VAC Tap | 104 | 120 | 132 | |
| | | 220 VAC Tap | 191 | 220 | 242 | |
| | | 240 VAC Tap | 209 | 240 | 264 | |
| Input Frequency | AC input. | 47 | | 63 | Hz | |
| Line Regulation | Output voltage change for a 10% line change: F case models. | -0.01 | | +0.01 | % | |
| | HAD12, HAD15. | -1.0 | | +1.0 | | |
| | Outputs with adjustable three terminal regulators. | -0.5 | | +0.5 | | |
| | All other models. | -0.05 | | +0.05 | | |

7. OUTPUT SPECIFICATIONS

| PARAMETER | CONDITIONS / DESCRIPTION | MIN | NOM | MAX | UNITS |
|-------------------------------|--|-------|-----|---|---------------------|
| Output Adjustment | Minimum output adjustment range ³ | -5 | | +5 | % |
| Efficiency | 5 volt outputs. | | 45 | | % |
| | 12 volt and 15 volt outputs. | | 55 | | |
| | 24 volt and higher outputs. | | 60 | | |
| Ripple and Noise ⁴ | F case models. | | | 3.0 | mV _{PK-PK} |
| | 5 volt, 12 volt, and 15 volt models. | | | 5.0 | mV _{PK-PK} |
| | All three terminal regulator outputs. | | | 0.2 | % _{PK-PK} |
| | 24 volt through 48 volt models. | | | 3.0 mV _{PK-PK} plus 0.02% of output voltage, max | |
| Load Regulation | Output change for a 50% load change: F case models. | -0.02 | | +0.02 | % |
| | HAD12, HAD15. | -1 | | +1 | |
| | Outputs with adjustable three terminal regulators. | -0.5 | | +0.5 | |
| | All other models. | -0.05 | | +0.05 | |
| Transient Response | Recovery time, to within 1% of initial set point due to a 50% load change. | | | 50 | μs |

¹ Derate output current 10% for 50Hz operation.

² Input voltage tolerance for 230 VAC operation is +15%, -10%.

³ Output voltage adjustments can be made to within ±5% of factory setting of nominal output voltage. Locate the "Vadj" potentiometer on the power supply PCB and use a screwdriver to adjust the output pot. The HAD12 and HAD15 3 terminal regulator outputs are not adjustable.

⁴ Full load, 20 MHz bandwidth.



Asia-Pacific
+86 755 298 85888

Europe, Middle East
+353 61 225 977

North America
+1 408 785 5200

8. SAFETY, REGULATORY AND EMI SPECIFICATIONS

| PARAMETER | CONDITIONS / DESCRIPTION | MIN | NOM | MAX | UNITS |
|------------------------------|--|------|-----|---|-------|
| Agency Approvals | Approved to the latest edition of the following standards; UL/CSA 60950-1 and IEC/EN 62368-1 | | | | |
| Dielectric Withstand Voltage | Input to case | 2121 | | | VDC |
| | Input to output (tested by manufacturer only) | 4242 | | | |
| Electromagnetic | FCC CFR title 47 Part 15 Sub-Part B - conducted. | | | | |
| Interference | EN 55022 / CISPR 22 conducted. EN 55022 / CISPR 22 radiated. | | | Compatible with system compliance to Level B. | |
| Leakage Current | Per EN 62368-1 (264 VAC) | | 23 | 50 | μA |

9. SIGNALS AND INTERNAL PROTECTION

| PARAMETER | CONDITIONS / DESCRIPTION | MIN | NOM | MAX | UNITS |
|--------------------------------------|--|-----|-----|-----|-------|
| Overvoltage Protection | Provided on 5 V output units where indicated. Other outputs may use optional overvoltage protectors OVP-12 and OVP-24. | 5.8 | | 6.6 | V |
| Remote Sense | Total voltage compensation for cable losses with respect to the main output. Provided on models where indicated. | | | 250 | mV |
| Overcurrent/Short Circuit Protection | Automatic current limit/foldback. Rated as a percentage of output power. | 115 | 120 | 140 | % |
| Master/Slave Operation | For parallel operation of up to 6 units. Master/slave pin provided on F case models only. Contact factory for application notes. | | | | |

10. ENVIRONMENTAL SPECIFICATIONS

| PARAMETER | CONDITIONS/DESCRIPTION | MIN | NOM | MAX | UNITS |
|-------------------------|---|------|-----|------|------------------|
| Operating Temperature | Derate output power linearly above 50°C by 3% per °C. | | | 50 | °C |
| | @ 100% load | 0 | | | |
| | @ 40% load | | | 70 | °C |
| Storage Temperature | | -40 | | 85 | °C |
| Temperature Coefficient | 0°C to 50°C (after 15-minute warm-up). | | 0.1 | 0.3 | %/°C |
| | 24 hours after warm-up. | -0.3 | | +0.3 | % |
| Shock | Operating. | | | 20 | G _{PK} |
| Vibration | Random vibration from 10 Hz to 2 kHz, 3 axis. | | | 6.15 | G _{RMS} |
| Relative Humidity | Non-Condensing. | 5 | | 95 | %RH |



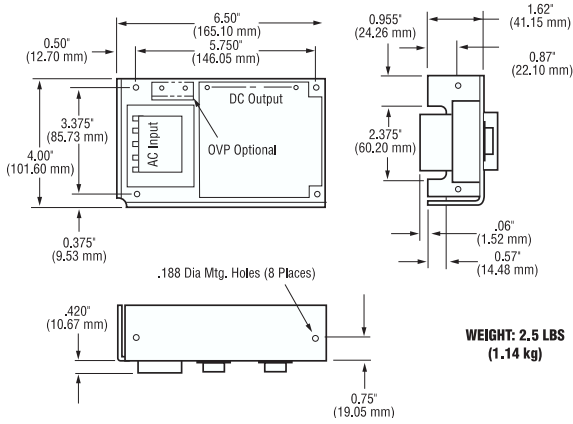
Asia-Pacific
+86 755 298 85888

Europe, Middle East
+353 61 225 977

North America
+1 408 785 5200

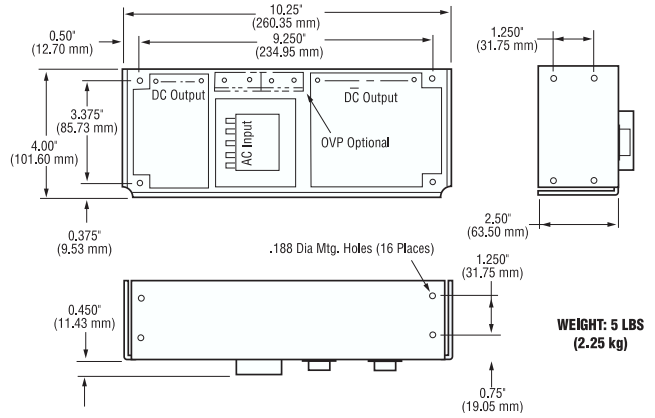
AA CASE

OVERALL SIZE
6.50" x 4.00" x 2.10"
(165.10 mm) x (101.60 mm) x (53.34 mm)



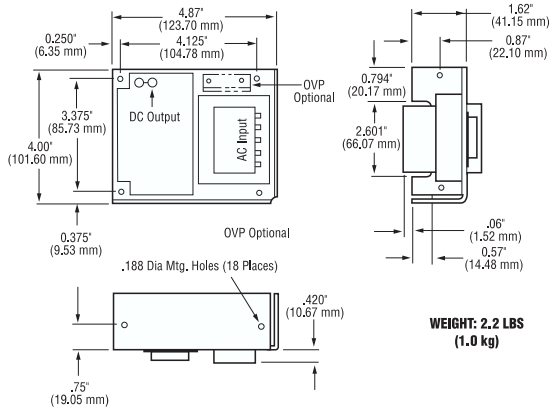
BAA CASE

OVERALL SIZE
10.25" x 4.00" x 2.95"
(260.35 mm) x (101.60 mm) x (74.93 mm)



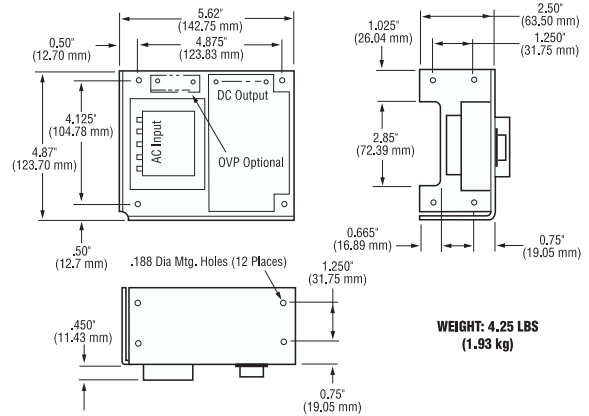
B CASE

OVERALL SIZE
4.87" x 4.00" x 2.10"
(123.70 mm) x (101.60 mm) x (53.34 mm)



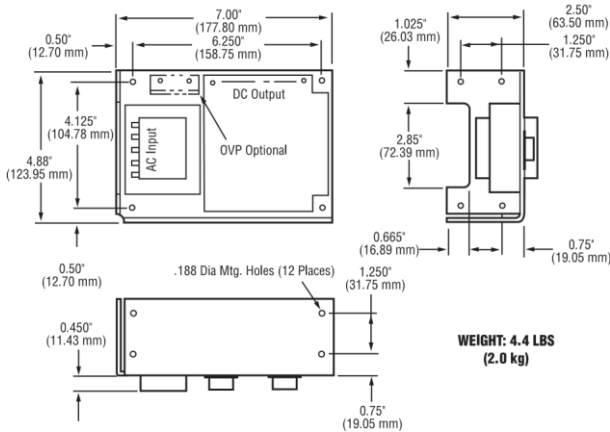
C CASE

OVERALL SIZE
5.62" x 4.87" x 2.95"
(142.75 mm) x (123.70 mm) x (74.93 mm)



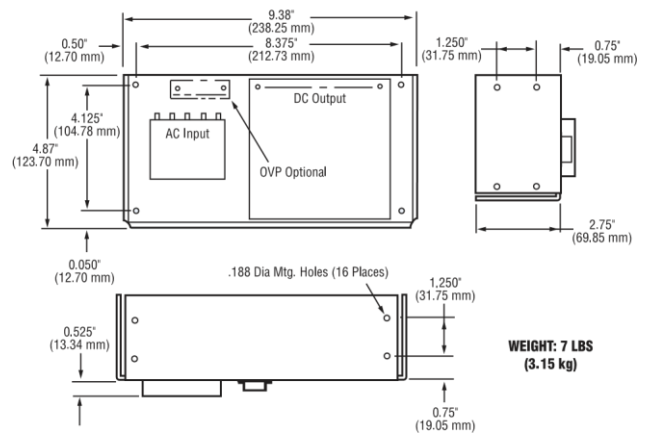
BB CASE

OVERALL SIZE
7.00" x 4.87" x 2.95"
(177.80 mm) x (123.70 mm) x (74.93 mm)



CC CASE

OVERALL SIZE
9.38" x 4.87" x 3.28"
(238.25 mm) x (123.70 mm) x (83.31 mm)



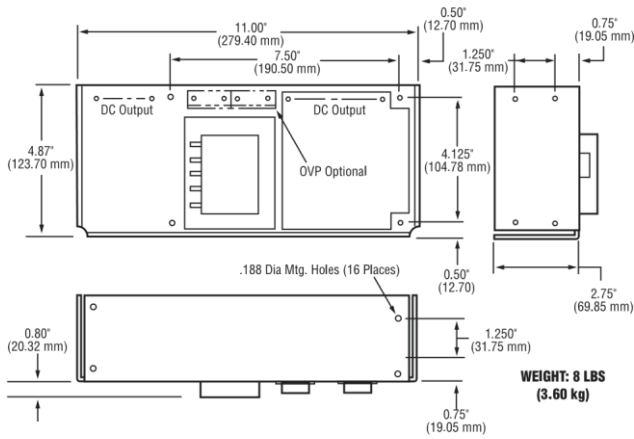
Asia-Pacific
+86 755 298 85888

Europe, Middle East
+353 61 225 977

North America
+1 408 785 5200

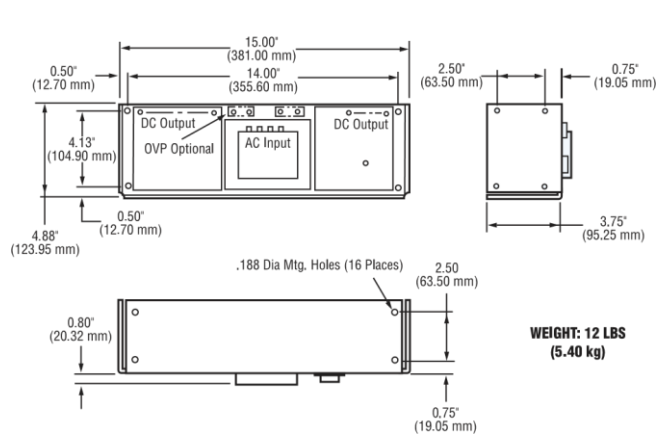
CBB CASE

OVERALL SIZE
11.00" x 4.87" x 3.28"
(279.40 mm) x (123.70 mm) x (83.31 mm)



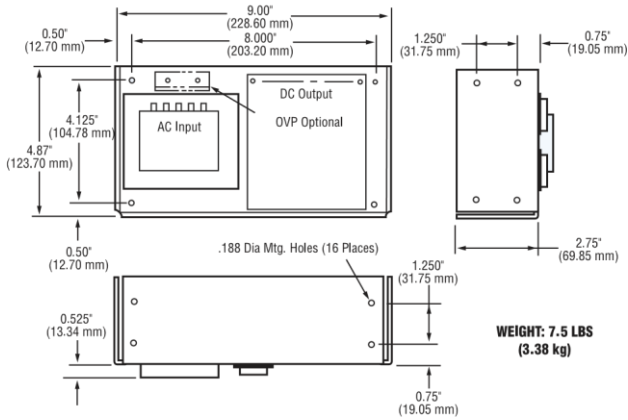
DCC CASE

OVERALL SIZE
15.00" x 4.88" x 4.55"
(381.00 mm) x (123.95 mm) x (115.57 mm)



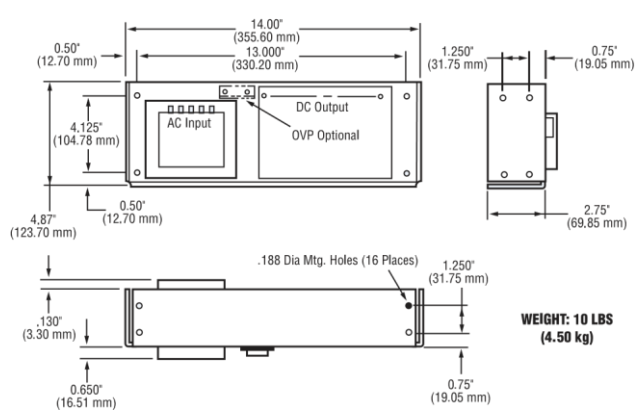
D CASE

OVERALL SIZE
9.00" x 4.87" x 3.28"
(228.60 mm) x (123.70 mm) x (83.31 mm)



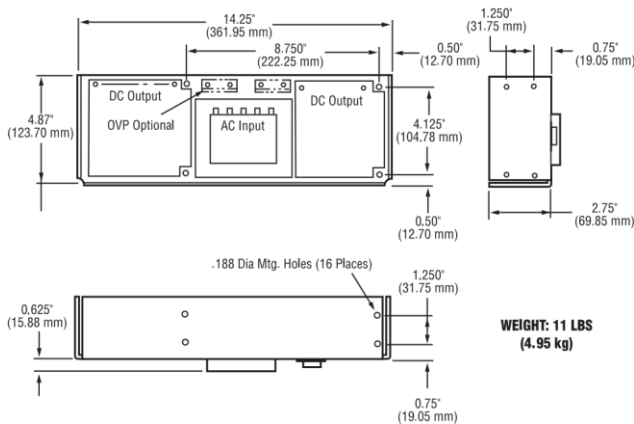
E CASE

OVERALL SIZE
14.00" x 4.87" x 3.53"
(355.60 mm) x (123.70 mm) x (89.66 mm)



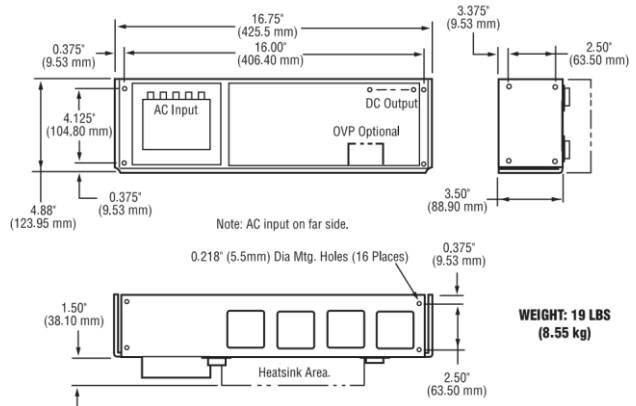
DBB CASE

OVERALL SIZE
14.25" x 4.87" x 3.38"
(361.95 mm) x (123.70 mm) x (85.85 mm)



F CASE

OVERALL SIZE
16.75" x 4.88" x 5.00"
(425.5 mm) x (123.95 mm) x (127.00 mm)



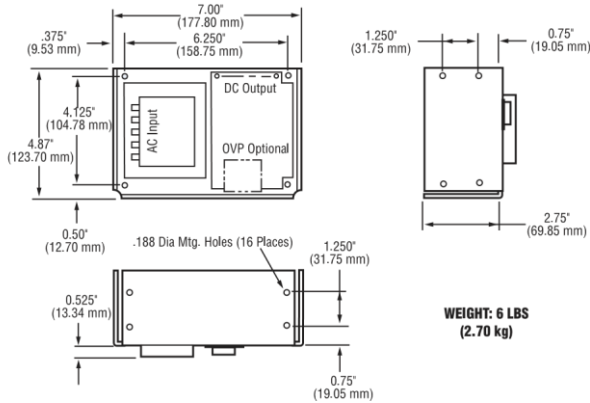
Asia-Pacific
 +86 755 298 85888

Europe, Middle East
 +353 61 225 977

North America
 +1 408 785 5200

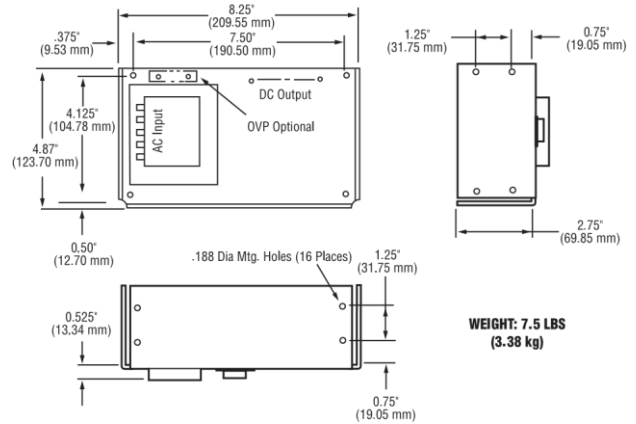
N CASE

OVERALL SIZE
7.00" x 4.87" x 3.28"
(177.80 mm) x (123.70 mm) x (83.31 mm)



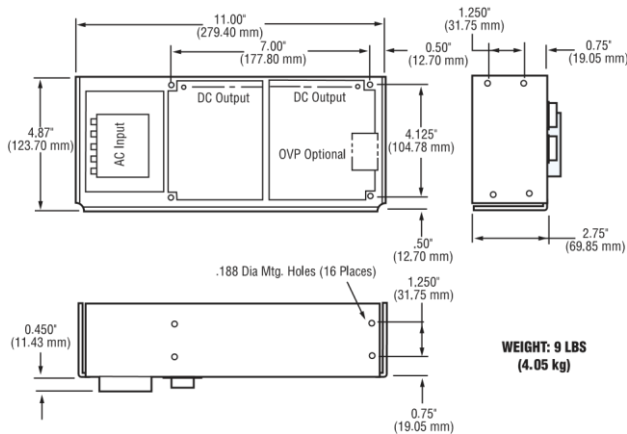
CP510-A CASE

OVERALL SIZE
8.25" x 4.87" x 3.28"
(209.55 mm) x (123.70 mm) x (83.31 mm)



CP131 CASE

OVERALL SIZE
11.00" x 4.87" x 3.28"
(279.40 mm) x (123.70 mm) x (83.31 mm)



Mechanical Dimensions of Case Types

For more information on these products consult: tech.support@psbel.com

NUCLEAR AND MEDICAL APPLICATIONS - Products are not designed or intended for use as critical components in life support systems, equipment used in hazardous environments, or nuclear control systems.

TECHNICAL REVISIONS - The appearance of products, including safety agency certifications pictured on labels, may change depending on the date manufactured. Specifications are subject to change without notice.



Asia-Pacific
+86 755 298 85888

Europe, Middle East
+353 61 225 977

North America
+1 408 785 5200