

# UM -PROFIL - Profile



2952020

<https://www.phoenixcontact.com/us/products/2952020>

Please be informed that the data shown in this PDF document is generated from our online catalog. Please find the complete data in the user documentation. Our general terms of use for downloads are valid.



Press-drawn section housings, Basic profile, color: green, open, length: 2000 mm, depth: 127.5 mm, Note: profile length = PCB length - 3 mm (UM 25 and UM 45)  
Profile length = PCB length - 3.6 mm (UM\_72, UM 100, UM\_108)  
Profile length = PCB length - 9.5 mm (UM\_122)

## Your advantages

- Flexible size and shape
- Fast mounting
- Inexpensive as a result of reducing the number of separate housing parts

## Commercial data

Item number	2952020
Packing unit	1 pc
Minimum order quantity	1 pc
Note	Made to order (non-returnable)
Sales key	AC17
Product key	ACHDBA
Catalog page	Page 754 (C-1-2013)
Customs tariff number	39162000
Country of origin	DE

# UM -PROFIL - Profile

2952020

<https://www.phoenixcontact.com/us/products/2952020>

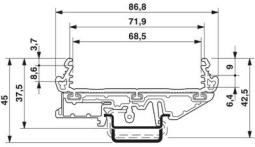


## Technical data

### Product properties

Product type	Complete housing
Product family	UM Profil
Type	Basic profile
Housing type	Press-drawn section housings
Housing series	UM

### Dimensions

Dimensional drawing	
Depth	127.5 mm
	25 mm
	45 mm
Length	2000 mm

### Material specifications

Color	green
Flammability rating according to UL 94	V0
Surface characteristics	untreated
Housing material	PVC

### Environmental and real-life conditions

#### Ambient conditions

Ambient temperature (operation)	-15 °C ... 50 °C
---------------------------------	------------------

# UM -PROFIL - Profile

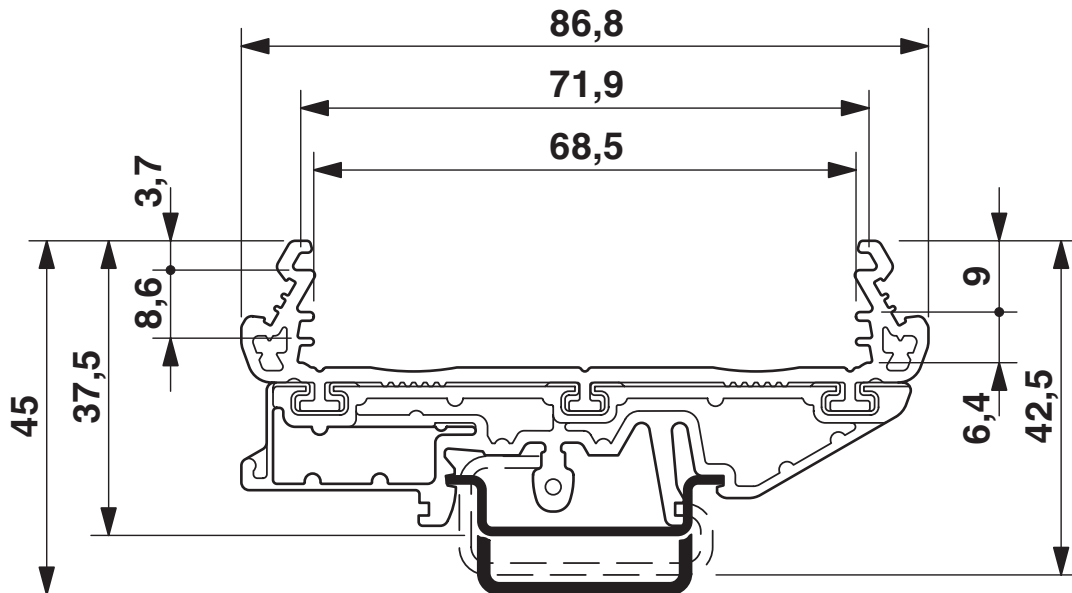
2952020

<https://www.phoenixcontact.com/us/products/2952020>

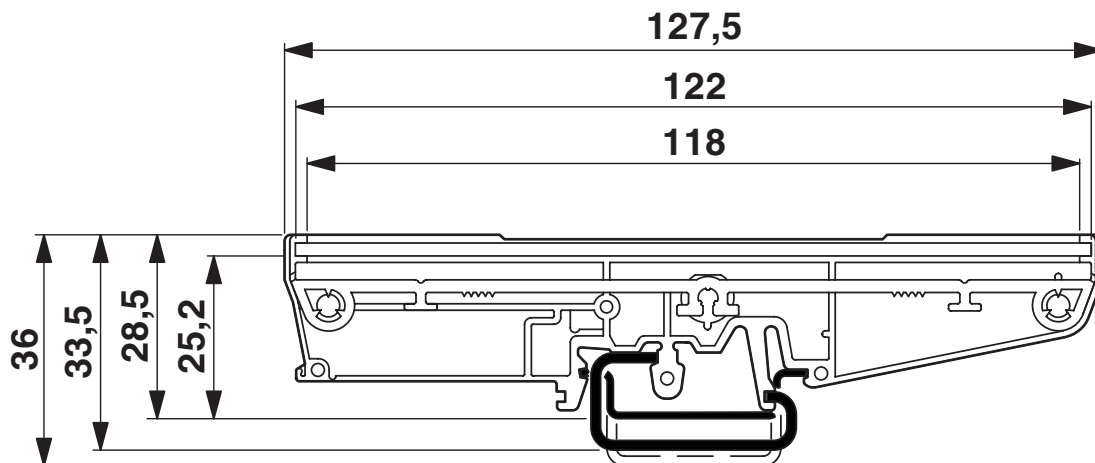


## Drawings

Dimensional drawing



Dimensional drawing



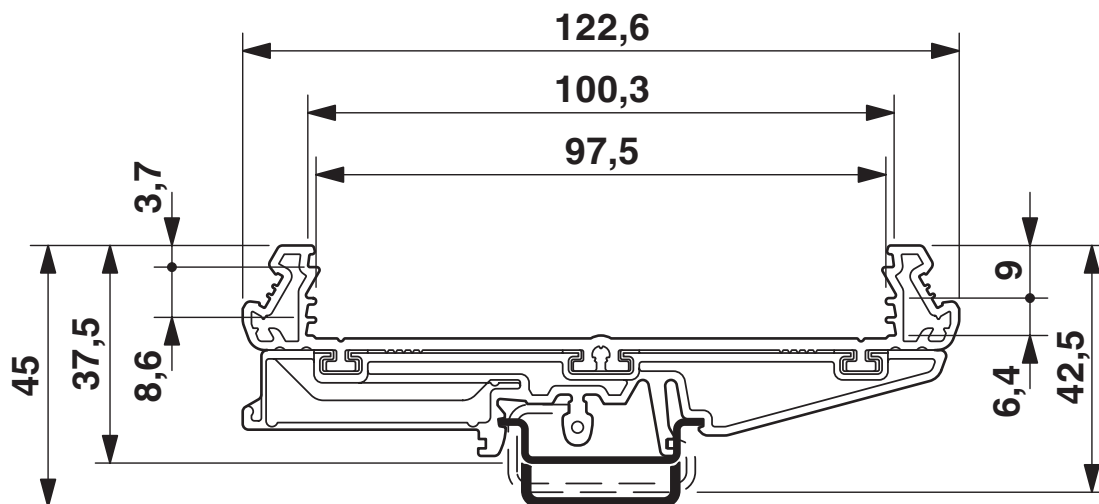
# UM -PROFIL - Profile

2952020

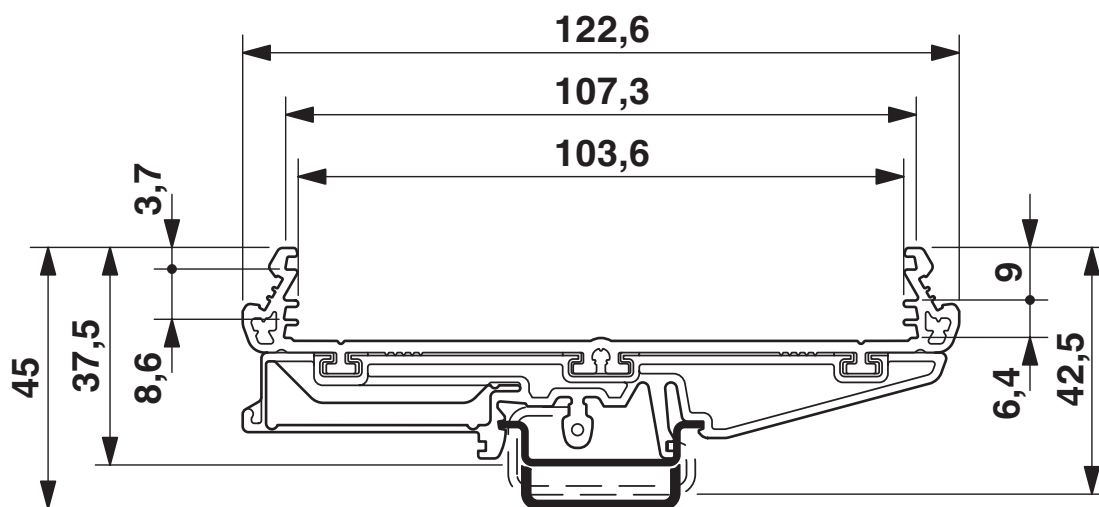
<https://www.phoenixcontact.com/us/products/2952020>



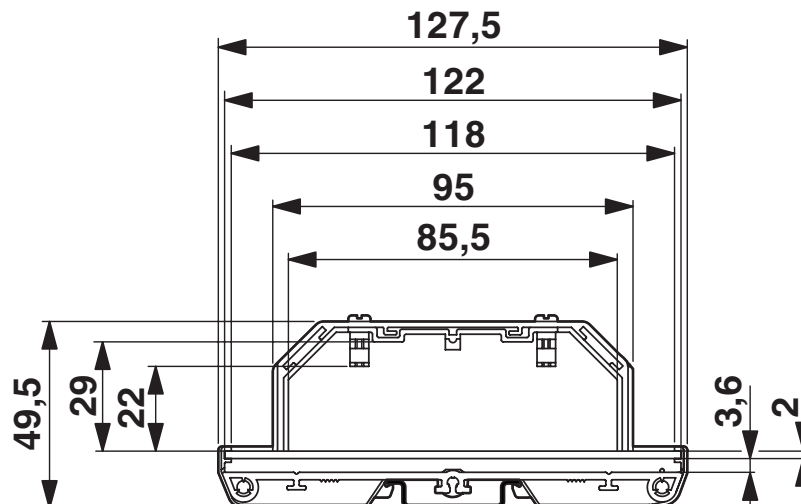
Dimensional drawing



Dimensional drawing



Dimensional drawing



# UM -PROFIL - Profile

2952020

<https://www.phoenixcontact.com/us/products/2952020>



## Classifications

### ECLASS

ECLASS-11.0	27182791
ECLASS-12.0	27182791
ECLASS-13.0	27190601

### ETIM

ETIM 8.0	EC001031
----------	----------

### UNSPSC

UNSPSC 21.0	31261500
-------------	----------

# UM -PROFIL - Profile

2952020

<https://www.phoenixcontact.com/us/products/2952020>



## Environmental product compliance

China RoHS	Environmentally friendly use period: unlimited = EFUP-e
	No hazardous substances above threshold values

# UM -PROFIL - Profile

2952020

<https://www.phoenixcontact.com/us/products/2952020>



## Accessories

### PMB - Module marker carrier

1004364

<https://www.phoenixcontact.com/us/products/1004364>



Phoenix module marker carrier, for labeling modules and PCBs, for hole diameter 3.9 to 4.1 mm, thickness of wall or board 1.5 - 2.0 mm, labeling with insert strips ESL, EST or ES/LP-BW-GB, lettering field: 29 x 8 mm

---

### B-STIFT - Marker pen

1051993

<https://www.phoenixcontact.com/us/products/1051993>



Marker pen, for manual labeling of unprinted Zack strips, smear-proof and waterproof, line thickness 0.5 mm

# UM -PROFIL - Profile

2952020

<https://www.phoenixcontact.com/us/products/2952020>



## UM122-FE - Foot element

2909471

<https://www.phoenixcontact.com/us/products/2909471>

UM 122 FE foot element, for UM 122 profile housing

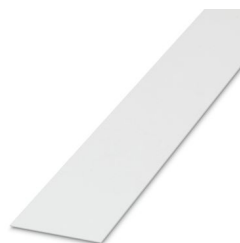


---

## AP-ES - Insert strip

5022685

<https://www.phoenixcontact.com/us/products/5022685>



Insert strip, white, unlabeled, mounting type: insert, for terminal block width: 35 mm, lettering field size: 35 x 500 mm



# UM -PROFIL - Profile

2952020

<https://www.phoenixcontact.com/us/products/2952020>



## UM 72-FE - Foot element

2959382

<https://www.phoenixcontact.com/us/products/2959382>

Foot element, 72 mm wide, for mounting on NS 32 or NS 35/7.5, below profile housing UM 72.



---

## UMK-BF - Mounting flange

2976077

<https://www.phoenixcontact.com/us/products/2976077>

Mounting flange, for mounting directly on the wall



# UM -PROFIL - Profile

2952020

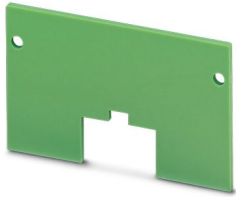
<https://www.phoenixcontact.com/us/products/2952020>



## UM 45-SEAS - Lateral element

2907554

<https://www.phoenixcontact.com/us/products/2907554>



Press-drawn section housings, Lateral element, color: green (6021), with snap-on foot, height: 45 mm, Note: when using this lateral element, profile length = PCB length.

---

## UM 25/45-FEO 200 - Foot element

2959434

<https://www.phoenixcontact.com/us/products/2959434>



Foot element, is inserted in the profile housing, limit stop with screw. Mounted at right angles to the NS 35/7.5 DIN rail

# UM -PROFIL - Profile

2952020

<https://www.phoenixcontact.com/us/products/2952020>



## SS-ZB WH - Contactor marker - zack marker strip

5031171

<https://www.phoenixcontact.com/us/products/5031171>



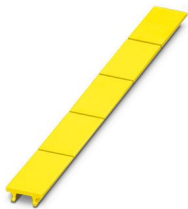
Contactor marker - zack marker strip, Strip, white, unlabeled, can be labeled with: CMS-P1-PLOTTER, mounting type: snapped, lettering field size: 20 x 8 mm, Number of individual labels: 5

---

## SS-ZB YE - Contactor marker - zack marker strip

5031650

<https://www.phoenixcontact.com/us/products/5031650>



Contactor marker - zack marker strip, Strip, yellow, unlabeled, can be labeled with: CMS-P1-PLOTTER, mounting type: snapped, lettering field size: 20 x 8 mm, Number of individual labels: 5

# UM -PROFIL - Profile

2952020

<https://www.phoenixcontact.com/us/products/2952020>



## UM108-FE - Foot element

2959463

<https://www.phoenixcontact.com/us/products/2959463>

Foot element, 107.5 mm wide, for mounting on NS 32 or NS 35/7.5, below profile housing UM 108.



---

## UM 45-SE - Lateral element

2906131

<https://www.phoenixcontact.com/us/products/2906131>

Press-drawn section housings, Lateral element, color: green (6021), without snap-on foot, depth: 45 mm, Note: when using this lateral element, profile length = PCB length.



# UM -PROFIL - Profile

2952020

<https://www.phoenixcontact.com/us/products/2952020>



## UM 45-SES - Lateral element

2959308

<https://www.phoenixcontact.com/us/products/2959308>



Side element, with marker groove, labeling with SS-ZB. Width: 11 mm, length: 45 mm, height: 21 mm

---

## UM 45-SEK - Lateral element

2959311

<https://www.phoenixcontact.com/us/products/2959311>



Side element, with cable fixture, 6 mm wide, cables fixed with cable ties, these are not included in the scope of delivery.

# UM -PROFIL - Profile

2952020

<https://www.phoenixcontact.com/us/products/2952020>



## UM 45-SEFE O.N. - Lateral element

2959793

<https://www.phoenixcontact.com/us/products/2959793>



Press-drawn section housings, Lateral element, color: green (6021), with snap-on foot, depth: 45 mm, Note: when using this lateral element, profile length = PCB length.

---

## UM 72-SE - Lateral element

2959337

<https://www.phoenixcontact.com/us/products/2959337>



Side element, 5 mm wide, PCB width: 72 mm

# UM -PROFIL - Profile

2952020

<https://www.phoenixcontact.com/us/products/2952020>



## UM 72-SEPEF/L - Lateral element

2906487

<https://www.phoenixcontact.com/us/products/2906487>

Side element, left, with foot, width: 5 mm, length: 72 mm, for mounting on NS 32 or NS 35/7.5, with PE contact to the DIN rail



---

## UM 72-SEFE/R - Lateral element

2959353

<https://www.phoenixcontact.com/us/products/2959353>

Side element, right, with foot, width: 5 mm, width: 72 mm, for mounting on NS 32 or NS 35/7.5



# UM -PROFIL - Profile

2952020

<https://www.phoenixcontact.com/us/products/2952020>



## UM 72-SEFE/L - Lateral element

2959340

<https://www.phoenixcontact.com/us/products/2959340>

Side element, left, with foot, width: 5 mm, length: 72 mm, for mounting on NS 32 or NS 35/7.5



---

## UM108 N-SEPEF/L-A73 - Lateral element

2709370

<https://www.phoenixcontact.com/us/products/2709370>

Side element with foot, low-profile design, left, for 73 mm wide U-shaped cover, with PE contact to the DIN rail.





# UM -PROFIL - Profile

2952020

<https://www.phoenixcontact.com/us/products/2952020>



## UM108-SEPEF/L-A73 - Lateral element

2906513

<https://www.phoenixcontact.com/us/products/2906513>



Side element with foot, tall design, left, for 73 mm wide U-shaped cover, with PE contact to the DIN rail.

---

## UM108-SEPEF/L-A60 - Lateral element

2906500

<https://www.phoenixcontact.com/us/products/2906500>



Side element with foot, tall design, left-hand, for 60 mm wide U-shaped cover, with PE contact to the DIN rail.

# UM -PROFIL - Profile

2952020

<https://www.phoenixcontact.com/us/products/2952020>



## UM108 N-SEFE/L-A73 - Lateral element

2709367

<https://www.phoenixcontact.com/us/products/2709367>

Side element, with foot, low-profile version, left-hand, for 73 mm wide U-shaped cover.



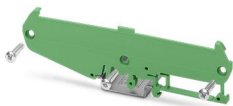
---

## UM108-SEFE/L - Lateral element

2959696

<https://www.phoenixcontact.com/us/products/2959696>

Side element with foot, 5 mm wide (left), for mounting on NS 32 or NS 35/7.5.  
PCB width: 107.5 mm



# UM -PROFIL - Profile

2952020

<https://www.phoenixcontact.com/us/products/2952020>



## UM108 N-SEFE/R-A73 - Lateral element

2709354

<https://www.phoenixcontact.com/us/products/2709354>

Side element, with foot, low-profile version, right-hand, for 73 mm wide U-shaped cover.



---

## UM108-SEFE/R - Lateral element

2959683

<https://www.phoenixcontact.com/us/products/2959683>

Side element with foot, 5 mm wide (right), for mounting on NS 32 or NS 35/7.5.  
PCB width: 107.5 mm



# UM -PROFIL - Profile

2952020

<https://www.phoenixcontact.com/us/products/2952020>



## UM108-SE-A73 - Lateral element

2959751

<https://www.phoenixcontact.com/us/products/2959751>

Side element, without foot, tall version, for 73 mm wide U-shaped cover.



---

## UM108-SEFE/R-A60 - Lateral element

2959706

<https://www.phoenixcontact.com/us/products/2959706>

Side element, with foot, tall version, right-hand, for 60 mm wide U-shaped cover.



# UM -PROFIL - Profile

2952020

<https://www.phoenixcontact.com/us/products/2952020>



## UM108-SEFE/L-A73 - Lateral element

2959735

<https://www.phoenixcontact.com/us/products/2959735>

Side element, with foot, tall version, left-hand, for 73 mm wide U-shaped cover.



---

## UM108-SE-A60 - Lateral element

2959748

<https://www.phoenixcontact.com/us/products/2959748>

Side element, without foot, tall version, for 60 mm wide U-shaped cover.



# UM -PROFIL - Profile

2952020

<https://www.phoenixcontact.com/us/products/2952020>



## UM108-SEFE/R-A73 - Lateral element

2959719

<https://www.phoenixcontact.com/us/products/2959719>

Side element, with foot, tall version, right-hand, for 73 mm wide U-shaped cover.



---

## UM108-SE - Lateral element

2959476

<https://www.phoenixcontact.com/us/products/2959476>

Side element, 5 mm wide, PCB width: 107.5 mm



# UM -PROFIL - Profile

2952020

<https://www.phoenixcontact.com/us/products/2952020>



## UM108 N-SE-A73 - Lateral element

2709383

<https://www.phoenixcontact.com/us/products/2709383>

Side element, without foot, low-profile version, for 73 mm wide U-shaped cover.



---

## UM108-SEFE/L-A60 - Lateral element

2959722

<https://www.phoenixcontact.com/us/products/2959722>

Side element, with foot, tall version, left-hand, for 60 mm wide U-shaped cover.



# UM -PROFIL - Profile

2952020

<https://www.phoenixcontact.com/us/products/2952020>



## UM122-SEFE/R - Lateral element

2908786

<https://www.phoenixcontact.com/us/products/2908786>

Side element, right, with foot, width: 5 mm wide, length: 122 mm, for mounting on DIN rail NS 32 or NS 35/7.5



---

## UM122-SEFE/L - Lateral element

2908773

<https://www.phoenixcontact.com/us/products/2908773>

Side element, left, with foot, width: 5 mm, length: 122 mm, for mounting on DIN rail NS 32 or NS 35/7.5





# UM -PROFIL - Profile

2952020

<https://www.phoenixcontact.com/us/products/2952020>



## UM122-SEMFE-A92 - Lateral element

2909442

<https://www.phoenixcontact.com/us/products/2909442>

Lateral element, to attach profile cover UM 122 to DIN rail NS 35/7.5, with M3 screw fixture, tightening torque 0.25 Nm



---

## UM108-SEPEF/L - Lateral element

2906490

<https://www.phoenixcontact.com/us/products/2906490>

Press-drawn section housings, Lateral element (left), color: green, with snap-on foot and PE contact



---

Phoenix Contact 2023 © - all rights reserved  
<https://www.phoenixcontact.com>

Phoenix Contact USA  
586 Fulling Mill Road  
Middletown, PA 17057, United States  
(+717) 944-1300  
[info@phoenixcon.com](mailto:info@phoenixcon.com)