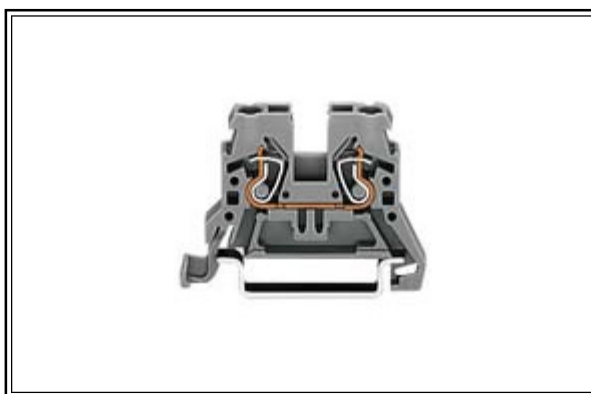

Terminal Block

Item Number: 870-901
Marking: 2-CONDUCTOR THROUGH TERMINAL BLOCK
Colour: grey

Product Image



Technical Data

Wiring:	front-entry		
Minimum Cross Section [mm ²]:	0.08	max. conductor cross section [mm ²]:	2.5
Minimum Cross Section [AWG]:	28	max. conductor cross section [AWG]:	14
Number of Clamping Units:	2	Number of Clamping Units:	1
Height: [mm]:	27.5	Height: [inch]:	1.08
Width: [mm]:	5	Width: [inch]:	0.197
Depth [mm]:	44.5	Depth [inch]:	1.75
Nominal Voltage [V]:		Blocking Voltage [V]:	
rated voltage EN [V]:	500	rated voltage UL [V]:	300
rated voltage CSA [V]:	300	rated search voltage [kV]:	6
Current (Amps.) EN [A]:	24	Current (Amps.) UL [A]:	20
Current (Amps.) CSA [A]:	25	Pollution Degree:	3
Stripped Length [mm]:	6-7	Stripped Length [inch]:	0.26

