

PLEASE CHECK WWW.MOLEX.COM FOR LATEST PART INFORMATION

Part Number: [1300130203](#)
Status: **Active**
Overview: [Brad Mini-Change Connectors](#)
Description: Mini-Change A-Size Receptacle, 3 Poles, 1/2" - 14 NPT Threads, Passivated Stainless Steel, Male (Straight) to 16 AWG Leads, 0.305 (1.0') Length

Documents:

[Drawing \(PDF\)](#) [RoHS Certificate of Compliance \(PDF\)](#)

Agency Certification

CSA LR6837
 UL E152210

General

Product Family Industrial Receptacles
 Series [130013](#)
 IP Rating IP67
 NEMA Rating NEMA 6
 Overview [Brad Mini-Change Connectors](#)
 Product Name Mini-Change
 Type Single Ended (pigtail)
 UPC 78678838619

Physical

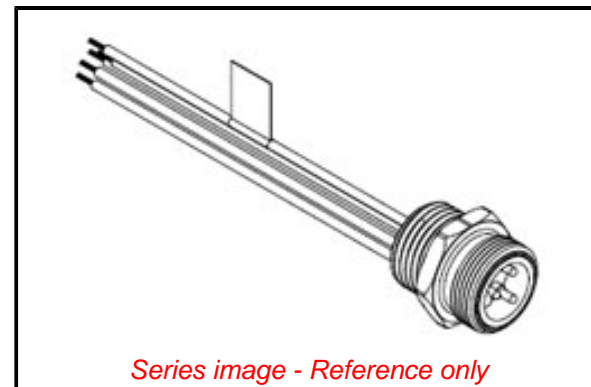
Coupling Type External Thread
 Gender Male
 Keyway Single
 Length 0.305m
 Material - Component Stainless Steel
 Mounting Thread Size 1/2" - 14 NPT
 Net Weight 56.699g
 Orientation Straight
 Panel Mount Front
 Poles 3
 Temperature Range - Operating -20° to +90°C
 Wire Size AWG 16
 Wire/Cable Type UL 1015

Electrical

Current - Maximum per Contact 13.0A
 Voltage - Maximum 600V AC/DC

Material Info

Engineering Number 1R3006A20A1201



Series image - Reference only

EU ELV

Not Relevant

EU RoHS

Compliant with Exemption 6(c)

REACH SVHC

Contained Per - D(2021)4569-DC (8 July 2021)
 Lead

Halogen-Free

Status

Not Low-Halogen

For more information, please visit [Contact US](#)

China ROHS

ELV

RoHS Phthalates

ZZCERT_CE -

Declaration of

Conformity

China RoHS

50 Image

Not Relevant

Not Contained

CER_4000380967_00_000.pdf

Search Parts in this Series

[130013 Series](#)

Mouser Electronics

Authorized Distributor

Click to View Pricing, Inventory, Delivery & Lifecycle Information:

Molex:

[1300130203](#) [1R3006A20A1201](#)