

5

4

3

2

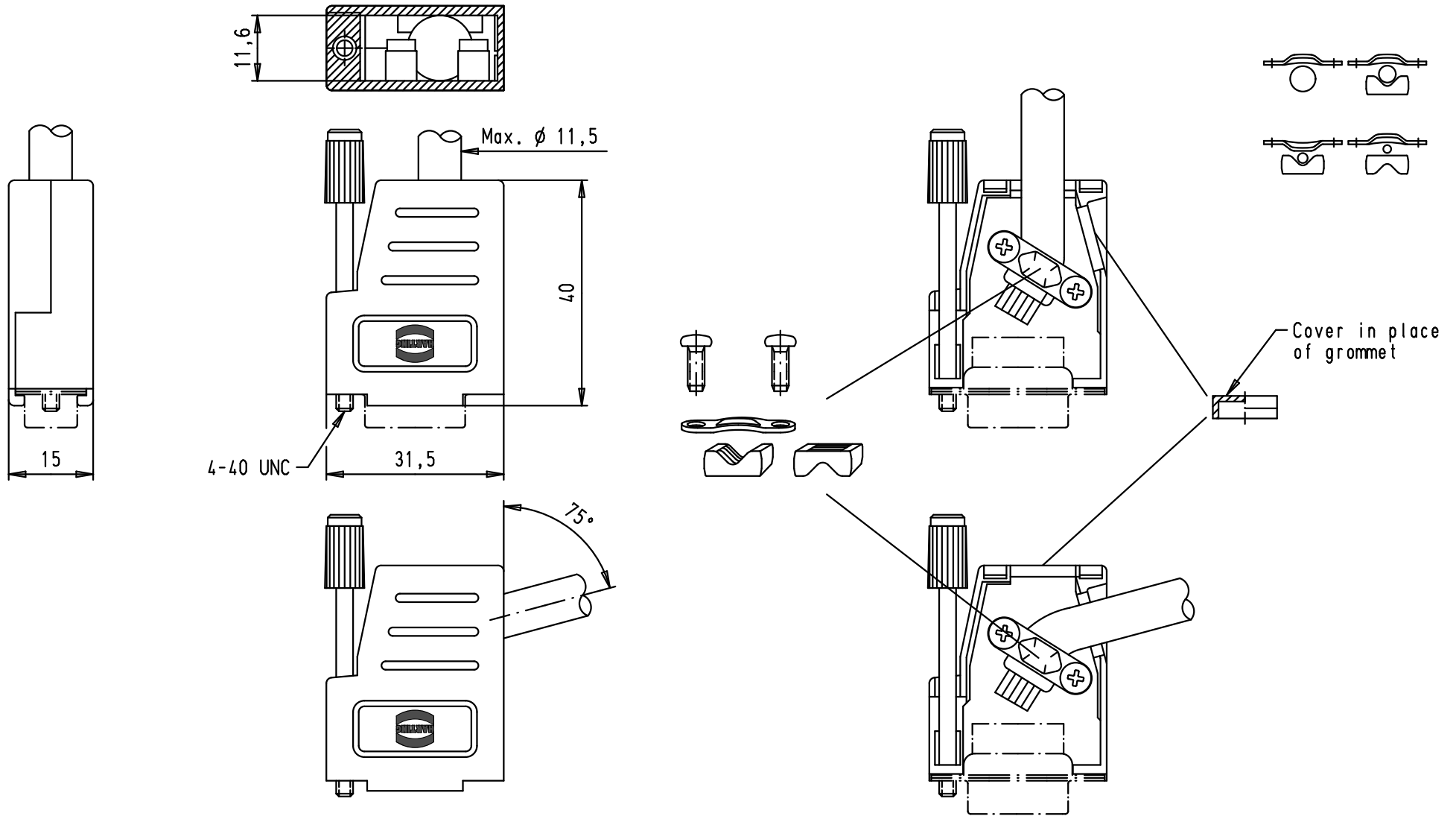
1



D

C

B

A



				Dot.	Name	 All Dim. in mm Orig. Size DIN A 4	D-Sub, top and side entry hood with knurled screws, 9 poles, thermoplastic black	Maßstab/ Scale 1:1		
			Detail.	28/03/02	CV					
			Insp.							
			Stand.							
	34784	12/02/08	PK	HARTING EURL F-95972 Paris				TB 09 67 009 0434	Blatt/ Page 1 / 1	
	29760	28/03/02	CV							
	Mod.	Dot.	Name							