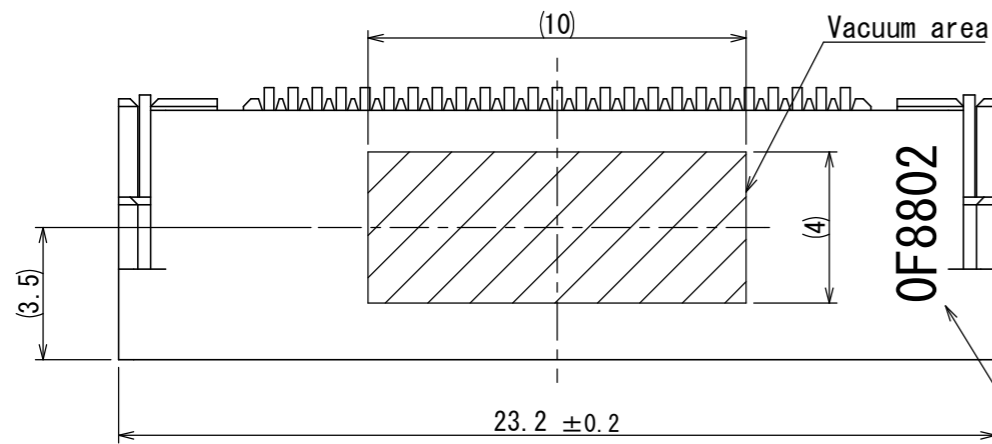


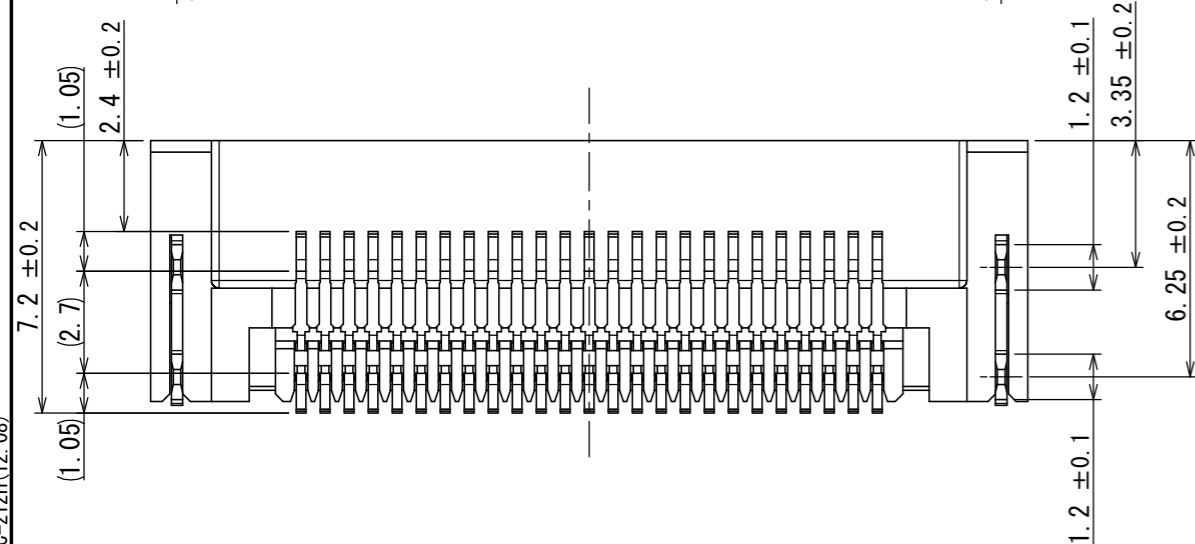
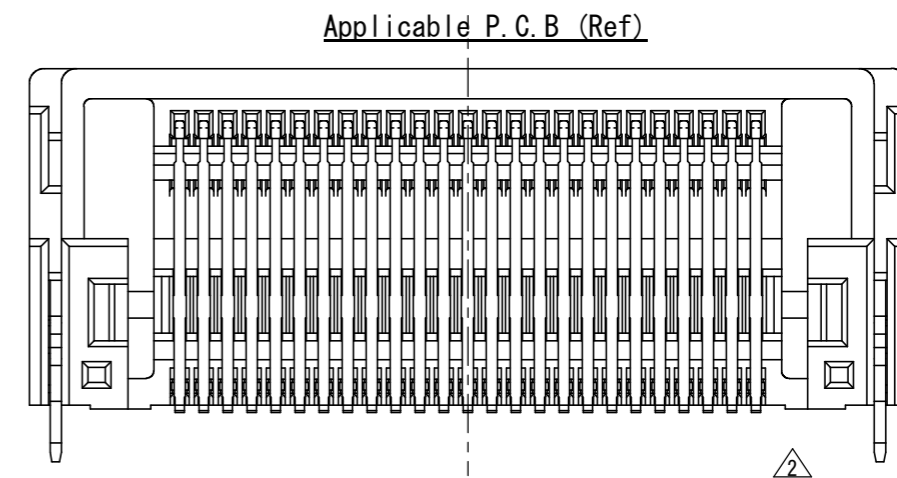
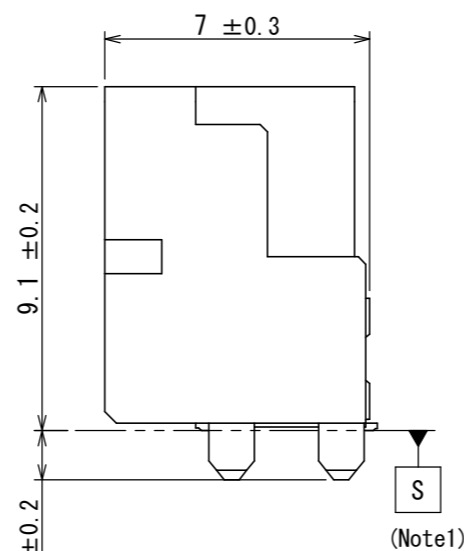
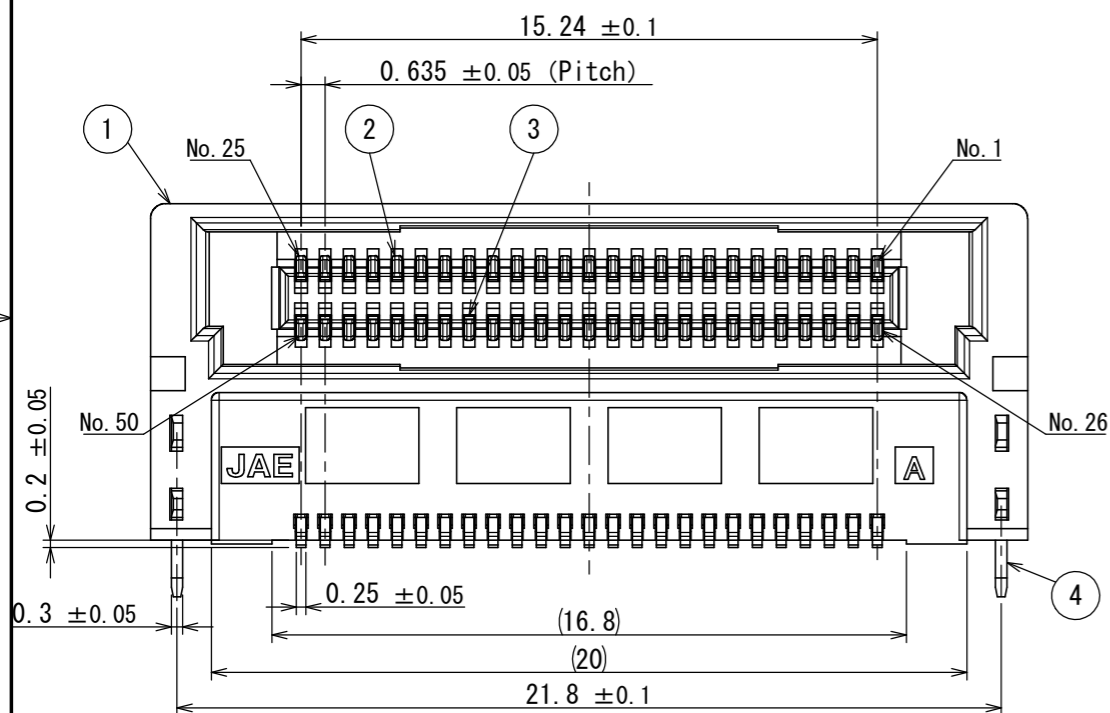
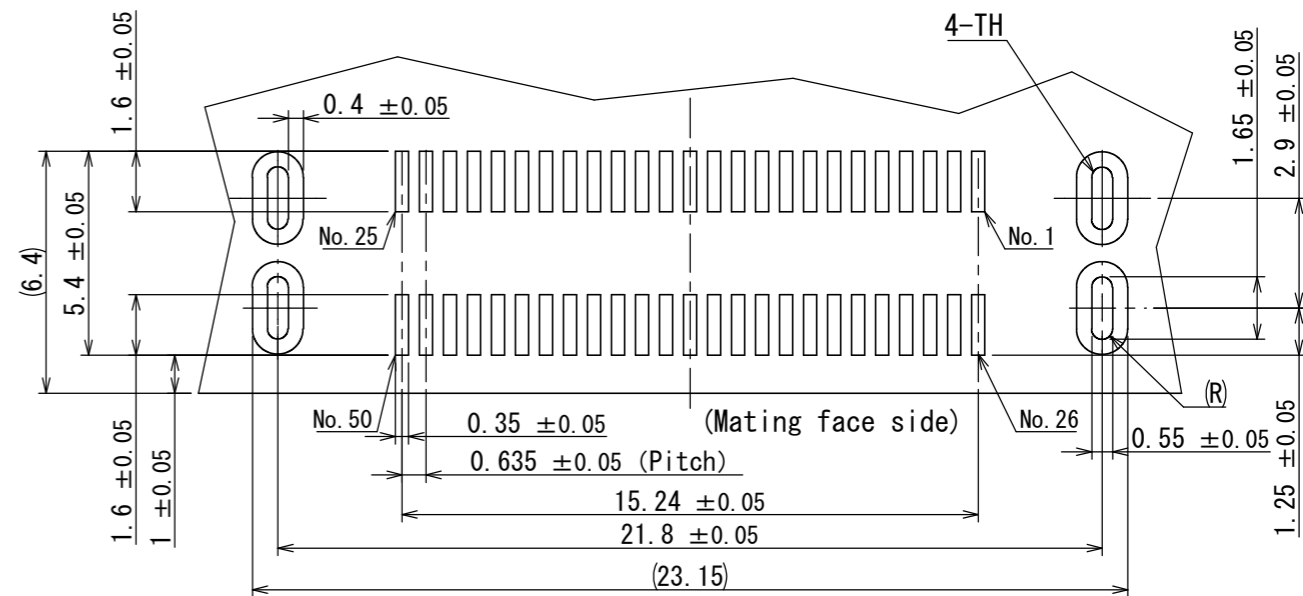
SJ120397  
 (DRAWING NO.)

版数 VER.	年月日 DATE	CN NO.	変更内容 DESCRIPTION	製図 DR.	担当 CHK.	査閲 APPD.	承認 APPD.
2	16/NOV/2018	027307	Changing the shape of the relief.		K. SHIMOJI	—	A. KIMURA
3	15/OCT/2019	031719	Changing SPECIFICATION No.		K. SHIMOJI	—	H. OBIKANE
4	30/OCT/2019	031900	Changed the notation of materials.		K. SHIMOJI	—	H. OBIKANE



Note1. The datum S is on the base of surface board.  
 Note2. Production lot number are marked as indicated.

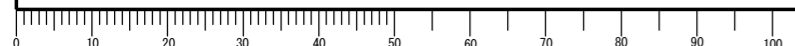
Ex.) O F 8 8 0 2  
 Manufacturing code  
 Year (Last digit only)  
 Month (1~9, 0, X, Y)  
 Day



符号 NO.	名称 DESCRIPTION	個数 QTY.	材料 MATERIAL	仕上 FINISH	備考 REMARKS
4	HOLD DOWN	2	COPPER ALLOY	TIN PLATING OVER NICKEL	
3	CONTACT (Lower stage)	25	COPPER ALLOY	Contact: GOLD OVER NICKEL Terminal: GOLD-FLASH OVER NICKEL	
2	CONTACT (Upper stage)	25	COPPER ALLOY	Contact: GOLD OVER NICKEL Terminal: GOLD-FLASH OVER NICKEL	
1	INSULATOR	1	LCP	—	

仕様書 (SPECIFICATION) JACS-11239-* $\triangle$ 3	第1版 (ORIGINAL DATE) 02/AUG/2018	尺度 (SCALE) 5:1	シリーズ (SERIES) AX03	日本航空電子工業株式会社
一般公差 (GENERAL TOLERANCE) 寸法 (DIMENSION)	製図 DR. 担当 CHK. 査閲 APPD. 承認 APPD.	名称 (TITLE) AX03R050HAY1	JAE JAPAN AVIATION ELECTRONICS INDUSTRY, LTD.	図面番号 (DRAWING NO.) SJ120397
角度 (ANGLES) 単位 (UNIT) : mm	質量 (MASS)	版数 (VER.) 4		

DCF-C-212H(12.08)



WISDOM承認 2019/11/06

# Mouser Electronics

Authorized Distributor

Click to View Pricing, Inventory, Delivery & Lifecycle Information:

[JAE Electronics:](#)

[AX03R050HAY1R500](#)