

---

## 1A PWM/VFM Step-down DC/DC Converter with Synchronous Rectifier Evaluation Board

---

No. EEV-362-N001D033-200220

**RP509N001D033-EV is the evaluation board for RP509 which has the below features, benefits and specifications.**

### OUTLINE

The RP509N is a low supply current PWM/VFM step-down DC/DC converter with synchronous rectifier featuring 0.5 A/1 A output current<sup>(1)</sup>. Internally, a single converter consists of a reference voltage unit, an error amplifier, a switching control circuit, a mode control circuit, a soft-start circuit, an undervoltage lockout (UVLO) circuit, a thermal shutdown circuit, and switching transistors. The RP509N is employing synchronous rectification for improving the efficiency of rectification by replacing diodes with built-in switching transistors. Using synchronous rectification not only increases circuit performance but also allows a design to reduce parts count. Output voltage controlling method is selectable between a PWM/VFM auto-switching control type and a forced PWM control type, which further reduces noise than a normal PWM control under a light load, and these types can be set by the MODE pin. Output voltage type is selectable between an internally fixed output voltage type and an externally adjustable output voltage type. Protection circuits in the RP509N is current limit circuit and thermal shutdown circuit. LX current limit value (Typ.) is selectable between 1.6 A and 1.0 A.

### FEATURES

- Input Voltage Range (Maximum Rating) ..... 2.3 V to 5.5 V (6.5 V)
- Output Voltage Range (Fixed Output Voltage Type) ..... 0.6 V to 3.3 V, settable in 0.1 V steps  
(Adjustable Output Voltage Type) ..... 0.6 V to 5.5 V
- Output Voltage Accuracy (Fixed Output Voltage Type) .....  $\pm 1.5\%$  ( $V_{SET}^{(2)} \geq 1.2$  V),  $\pm 18$  mV ( $V_{SET} < 1.2$  V)
- Feedback Voltage Accuracy (Adjustable Output Voltage Type) ....  $\pm 9$  mV ( $V_{FB} = 0.6$  V)
- Output Voltage/Feedback Voltage Temperature Coefficient ....  $\pm 100$  ppm/ $^{\circ}$ C
- Selectable Oscillator Frequency ..... Typ. 6.0 MHz
- Oscillator Maximum Duty ..... Min. 100%
- Built-in Driver ON Resistance ( $V_{IN} = 3.6$  V) ..... Typ. Pch. 0.195  $\Omega$ , Nch. 0.175  $\Omega$  (RP509N)
- Standby Current ..... Typ. 0  $\mu$ A
- UVLO Detector Threshold ..... Typ. 2.0 V
- Soft-start Time ..... Typ. 0.15 ms
- Inductor Current Limit Circuit ..... Typ. 1.6 A/1.0 A, selectable Current Limit
- Package ..... SOT-23-6 ( 2.9 mm x 2.8 mm x 1.1 mm )

---

<sup>(1)</sup> This is an approximate value. The output current is dependent on conditions and external components.

<sup>(2)</sup>  $V_{SET}$  = Set Output Voltage

---

- For more details on RP509 IC, please refer to <https://www.n-redc.co.jp/en/pdf/datasheet/rp509-ea.pdf>.

### Part Number Information

Product Name	Package
RP509N001D033	SOT-23-6

00: Specify the set output voltage ( $V_{SET}$ )  
Adjustable Output Voltage Type: 00 only

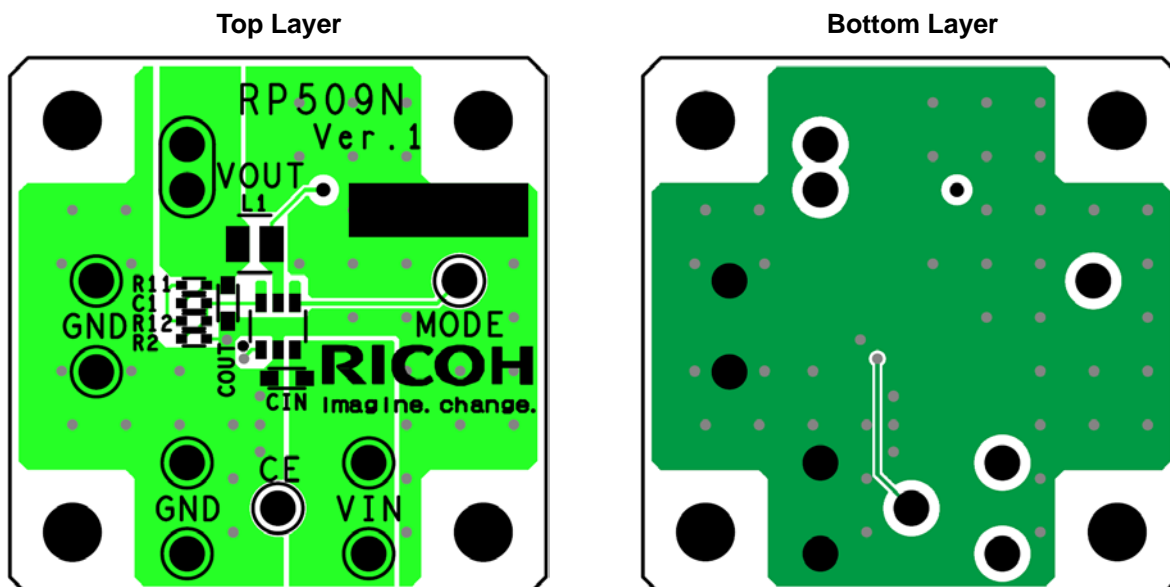
1: Specify the LX Current Limit ( $I_{LXLIM}$ )  
1: Typ. 1.6 A

D: Specify the version  
D: with Auto-discharge, Oscillator Frequency = 6.0 MHz

033: Output voltage  
033: 3.3 V, Output voltage

### PCB LAYOUT

Adjustable Output Voltage Type (RP509N00XC/D)



## ABSOLUTE MAXIMUM RATINGS

**Absolute Maximum Ratings** (GND = 0 V)

Symbol	Item			Rating	Unit
$V_{IN}$	Input Voltage			-0.3 to 6.5	V
$V_{LX}$	LX Pin Voltage			-0.3 to $V_{IN} + 0.3$	V
$V_{CE}$	CE Pin Voltage			-0.3 to 6.5	V
$V_{MODE}$	MODE Pin Voltage			-0.3 to 6.5	V
$V_{OUT}/V_{FB}$	VOUT/VFB Pin Voltage			-0.3 to 6.5	V
$I_{LX}$	LX Pin Output Current			1.6	A
$P_D$	Power Dissipation <sup>(1)</sup>	SOT-23-6	JEDEC STD. 51-7 Test Land Pattern	892	mW
$T_j$	Junction Temperature			-40 to 125	°C
$T_{stg}$	Storage Temperature Range			-55 to 125	°C

### ABSOLUTE MAXIMUM RATINGS

Electronic and mechanical stress momentarily exceeded absolute maximum ratings may cause the permanent damages and may degrade the lifetime and safety for both device and system using the device in the field. The functional operation at or over these absolute maximum ratings is not assured.

## RECOMMENDED OPERATING CONDITIONS

Symbol	Item	Rating	Unit
$V_{IN}$	Input Voltage	2.3 to 5.5	V
$T_a$	Operating Temperature Range	-40 to 85	°C

### RECOMMENDED OPERATING CONDITIONS

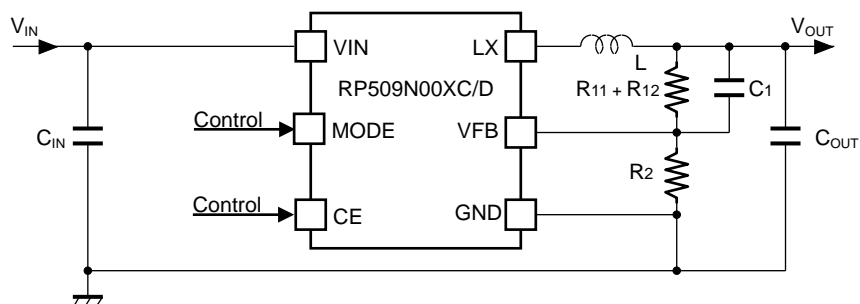
All of electronic equipment should be designed that the mounted semiconductor devices operate within the recommended operating conditions. The semiconductor devices cannot operate normally over the recommended operating conditions, even if when they are used over such conditions by momentary electronic noise or surge. And the semiconductor devices may receive serious damage when they continue to operate over the recommended operating conditions.

<sup>(1)</sup> Refer to *POWER DISSIPATION* for detailed information.

## APPLICATION INFORMATION

### Typical Application Circuits

MODE = High: Forced PWM Control, MODE = Low: PWM/VFM Auto-switching Control



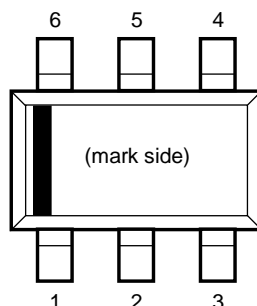
RP509N00XC/RP509N00XD ( Adjustable Output Voltage Type)

### Recommended External Components\*1

Symbol	Size
C <sub>IN</sub>	10 μF
C <sub>OUT</sub>	10 μF
L	0.47 μH
R11	200 kohm
R12	12 kohm
R2	47 kohm
C1	6.8 pF

\*1 The bill of materials will be attached on the shipment of each purchased evaluation board.

## PIN DESCRIPTION



**SOT-23-6 Pin Configurations**

### SOT-23-6 Pin Description

Pin No.	Symbol	Description
1	CE	Chip Enable Pin, Active-high
2	GND	Ground Pin
3	VIN	Input Voltage Pin
4	MODE	Mode Control Pin (High: Forced PWM Control, Low: PWM/VFM Auto-switching Control)
5	LX	Switching Pin
6	VOUT/VFB	Output/Feedback Voltage Pin

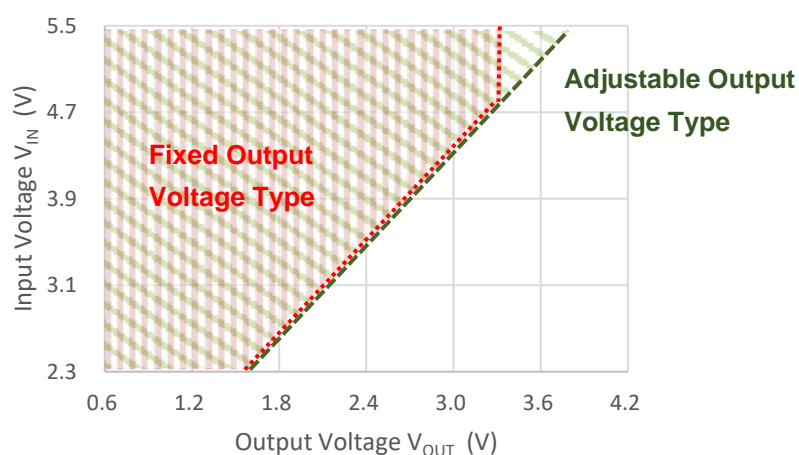
## TECHNICAL NOTES

The performance of a power source circuit using this device is highly dependent on a peripheral circuit. A peripheral component or the device mounted on PCB should not exceed its rated voltage, rated current or rated power. When designing a peripheral circuit, please be fully aware of the following points.

- Set the external components as close as possible to the IC and minimize the wiring between the components and the IC. Especially, place a capacitor ( $C_{IN}$ ) as close as possible to the VIN pin and GND.
- Ensure the VIN and GND lines are sufficiently robust. If their impedance is too high, noise pickup or unstable operation may result.
- The VIN line, the GND line, the VOUT line, an inductor, and LX should make special considerations for the large switching current flows.
- The wiring between a resistor for setting output voltage (R1) and L (RP509x00XC/RP509x00XD) should be separated from the wiring between L and Load.
- Over current protection circuit may be affected by self-heating or power dissipation environment.
- For any setting type of output voltage, the input/output voltage ratio must meet the following requirement to achieve a stable VFM mode at light load when the MODE pin is “Low” (at PWM/VFM Auto Switching):

$$V_{OUT} / V_{IN} < 0.7$$

$V_{MODE} = \text{Low}$ , PWM/VFM Auto Switching



**Available Voltage Area with Stable VFM Mode**



1. The products and the product specifications described in this document are subject to change or discontinuation of production without notice for reasons such as improvement. Therefore, before deciding to use the products, please refer to Ricoh sales representatives for the latest information thereon.
2. The materials in this document may not be copied or otherwise reproduced in whole or in part without prior written consent of Ricoh.
3. Please be sure to take any necessary formalities under relevant laws or regulations before exporting or otherwise taking out of your country the products or the technical information described herein.
4. The technical information described in this document shows typical characteristics of and example application circuits for the products. The release of such information is not to be construed as a warranty of or a grant of license under Ricoh's or any third party's intellectual property rights or any other rights.
5. The products in this document are designed for automotive applications. However, when using the products for automotive applications, please make sure to contact Ricoh sales representative in advance due to confirming the quality level.
6. We are making our continuous effort to improve the quality and reliability of our products, but semiconductor products are likely to fail with certain probability. In order to prevent any injury to persons or damages to property resulting from such failure, customers should be careful enough to incorporate safety measures in their design, such as redundancy feature, fire containment feature and fail-safe feature. We do not assume any liability or responsibility for any loss or damage arising from misuse or inappropriate use of the products.
7. Anti-radiation design is not implemented in the products described in this document.
8. The X-ray exposure can influence functions and characteristics of the products. Confirm the product functions and characteristics in the evaluation stage.
9. WLCSP products should be used in light shielded environments. The light exposure can influence functions and characteristics of the products under operation or storage.
10. There can be variation in the marking when different AOI (Automated Optical Inspection) equipment is used.  
In the case of recognizing the marking characteristic with AOI, please contact Ricoh sales or our distributor before attempting to use AOI.
11. Please contact Ricoh sales representatives should you have any questions or comments concerning the products or the technical information.



**Ricoh is committed to reducing the environmental loading materials in electrical devices with a view to contributing to the protection of human health and the environment.**

Ricoh has been providing RoHS compliant products since April 1, 2006 and Halogen-free products since April 1, 2012.

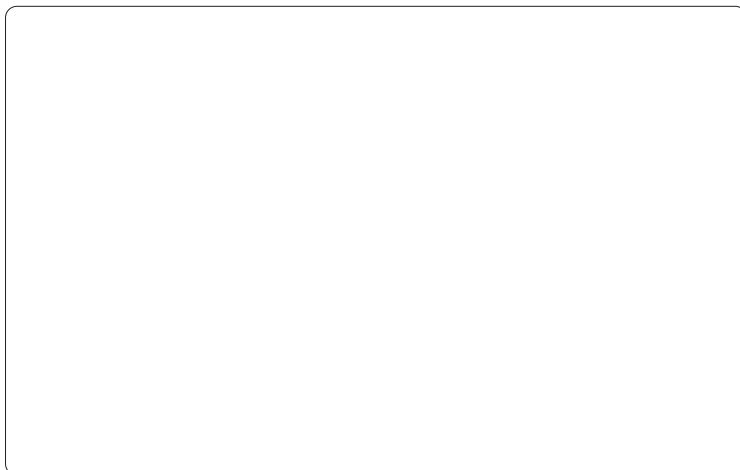
**RICOH** RICOH ELECTRONIC DEVICES CO., LTD.

**Official website**

<https://www.n-redc.co.jp/en/>

**Contact us**

<https://www.n-redc.co.jp/en/buy/>



# Mouser Electronics

Authorized Distributor

Click to View Pricing, Inventory, Delivery & Lifecycle Information:

[Ricoh Electronics:](#)

[RP509N001D033-EV](#)