

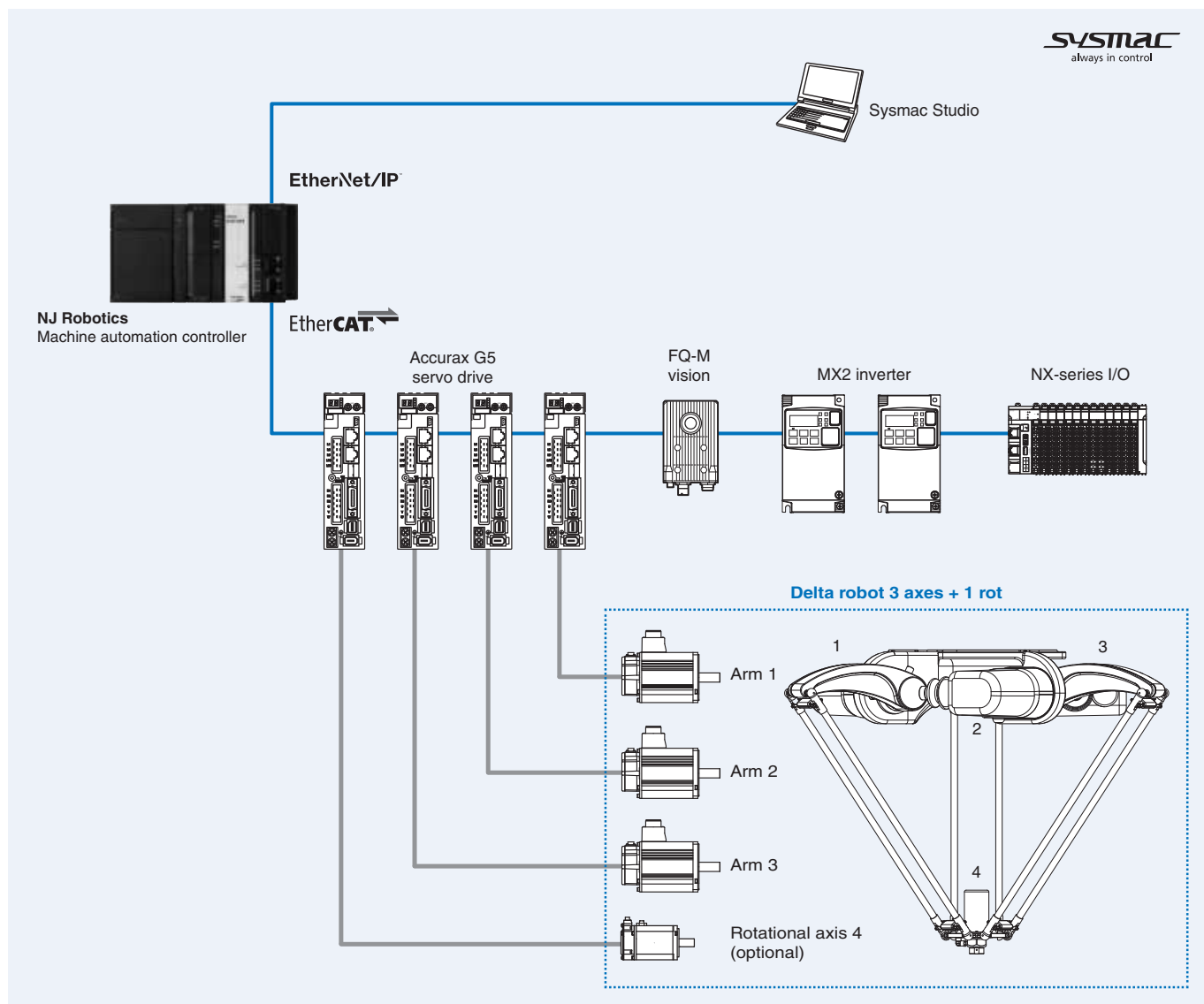
Delta robot 3 axes + 1 rot

The fastest picking system integrated in the Sysmac Platform

- Robot control integrated in the NJ robotics controller
- Control of up to 8 robots by one controller
- Degrees of freedom: 3 + 1 (rotational axis optional)
- Up to 200 cycle per minute
- Models from 500 to 1,600 mm working range
- Payload range: 1 to 8 kg
- Different types of Delta robot arms
- IP class range: IP65, IP67, IP69K
- Anti-collision detection option



System configuration



Note: Servo motors included in the Delta robot.

Specifications

Delta robot 3 axes + 1 rot series

IP69K protection class models

Model		CR_UGD4_XL_HD□		CR_UGD4_HD□		CR_UGD4_XS_HD□		
		With rotational axis	Without rotational axis	With rotational axis	Without rotational axis	With rotational axis	Without rotational axis	
Working volume	X, Y axis (stroke)	Ø 1,300 mm		Ø 1,100 mm		Ø 650 mm		
	Z axis (stroke) ¹	250 mm (maximum Ø 1,300 mm) 400 mm (center Ø 870 mm)		250 mm (maximum Ø 1,100 mm) 400 mm (center Ø 670 mm)		200 mm (maximum Ø 650 mm) 270 mm (center Ø 407.5 mm)		
	θ axis (rotation angle)	±180 deg (default setting, it can be changed)	-	±180 deg (default setting, it can be changed)	-	±180 deg (default setting, it can be changed)	-	
Servo motor	Arm 1, 2, 3	Model	R88M-K1K030T-BS2-V2					
		Capacity	1,000 W					
	Rotational axis 4	Model	R88M-K75030T-BS2	-	R88M-K75030T-BS2	-	R88M-K75030T-BS2	-
		Capacity	750 W	-	750 W	-	750 W	-
Repeatability ²	X, Y, Z axis	±0.2 mm						
	θ axis	±0.3 deg	-	±0.3 deg	-	±0.3 deg	-	
Maximum payload		2 kg						
Maximum through-put ³		120 CPM ⁴		150 CPM ⁴		170 CPM ⁴		
Gear box ratio	X, Y, Z axis	1:31						
	θ axis	1:10	-	1:10	-	1:10	-	
θ axis torque limitation		16 Nm		16 Nm		16 Nm		
Travel limit		1. Soft limit, 2. Mechanical stopper (X, Y, Z axis)						
Noise level		< 68 dB (A)						
Ambient temperature		Operating: 5°C to 45°C Storage: -25°C to 60°C						
Relative humidity		Max. 90%						
Protection class		IP69K						
Weight		100 kg						

¹. For further details please check the dimensional drawing in the next section.

². This is the value at a constant ambient temperature.

³. With 0.1 kg payload. When reciprocating 305 mm in horizontal and 25 mm in vertical directions.

⁴. CPM: Cycle per minutes. Check the note 3 for the cycle definition.

IP67 protection class models

Model		R6Y3□110□03067NJ5			R6Y3□065□02067NJ5			
		With high inertia rotational axis	With low inertia rotational axis	Without rotational axis	With high inertia rotational axis	With low inertia rotational axis	Without rotational axis	
Working volume	X, Y axis (stroke)	Ø 1,100 mm			Ø 650 mm			
	Z axis (stroke) ¹	300 mm (maximum Ø 1,100 mm) 450 mm (center Ø 580 mm)			150 mm (maximum Ø 650 mm) 250 mm (center Ø 480 mm)			
	θ axis (rotation angle)	±180 deg (default setting, it can be changed)		-	±180 deg (default setting, it can be changed)		-	
Servo motor	Arm 1, 2, 3	Model	R88M-K1K030T-BS2					
		Capacity	1,000 W					
	Rotational axis 4	Model	R88M-K10030T-S2	R88M-K05030T-S2	-	R88M-K10030T-S2	R88M-K05030T-S2	-
		Capacity	100 W	50 W	-	100 W	50 W	-
Repeatability ²	X, Y, Z axis	±0.2 mm				±0.1 mm		
	θ axis	±0.1 deg		-		±0.1 deg		
Maximum payload		3 kg				2 kg		
Maximum through-put ³		150 CPM ⁴				200 CPM ⁴		
θ axis tolerable moment of inertia ⁵		0.035 kgm ²	0.01 kgm ²	-	0.035 kgm ²	0.01 kgm ²	-	
User tubing (outer diameter)		Ø 6						
Travel limit		1. Soft limit, 2. Mechanical stopper (X, Y, Z axis)						
Noise level		< 73.7 dB (A)			< 64.5 dB (A)			
Ambient temperature		0°C to 45°C						
Relative humidity		Max. 85%						
Protection class		IP67						
Weight		75 kg			32 kg			

¹. For further details please check the dimensional drawing in the next section.

². This is the value at a constant ambient temperature.

³. With 0.1 kg payload. When reciprocating 305 mm in horizontal and 25 mm in vertical directions.

⁴. CPM: Cycle per minutes. Check the note 3 for the cycle definition.

⁵. There are limits to acceleration coefficient settings.

IP65 protection class models

Model		CR_UGD4_XXLH		CR_UGD4_XXL1300H		
		With rotational axis	Without rotational axis	With rotational axis	Without rotational axis	
Working volume	X, Y axis (stroke)	Ø 1,600 mm		Ø 1,300 mm		
	Z axis (stroke) ^{*1}	350 mm (maximum Ø 1,600 mm) 550 mm (center Ø 814 mm)		300 mm (maximum Ø 1,300 mm) 450 mm (center Ø 780 mm)		
	θ axis (rotation angle)	±180 deg (default setting, it can be changed)	-	±180 deg (default setting, it can be changed)	-	
Servo motor	Arm 1, 2, 3	Model	R88M-K3K030C-BS2			
		Capacity	3,000 W			
	Rotational axis 4	Model	R88M-K1K030C-BS2	-	R88M-K1K030C-BS2	-
		Capacity	1,000 W	-	1,000 W	-
Repeatability ^{*2}	X, Y, Z axis	±1 mm				
	θ axis	±0.3 deg	-	±0.3 deg	-	
Maximum payload	8 kg					
Maximum through-put ^{*3}	80 CPM ^{*4}		90 CPM ^{*4}			
Gear box ratio	X, Y, Z axis	1:38,5				
	θ axis	1:20	-	1:20	-	
θ axis torque limitation	60 Nm		26 Nm			
User tubing (outer diameter)	Ø 8 ^{*5}					
Travel limit	1. Soft limit, 2. Mechanical stopper (X, Y, Z axis)					
Noise level	< 70 dB (A)		< 68 dB (A)			
Ambient temperature	5°C to 45°C					
Relative humidity	Max. 90%					
Protection class	IP65					
Weight	115 kg		90 kg			

*1. For further details please check the dimensional drawing in the next section.

*2. This is the value at a constant ambient temperature.

*3. With 0.1 kg payload. When reciprocating 305 mm in horizontal and 25 mm in vertical directions.

*4. CPM: Cycle per minutes. Check the note 3 for the cycle definition.

*5. Only for the air suctioning. The air injection is not allowed.

Model		CR_UGD4_XL		CR_UGD4		
		With rotational axis	Without rotational axis	With rotational axis	Without rotational axis	
Working volume	X, Y axis (stroke)	Ø 1,300 mm		Ø 1,100 mm		
	Z axis (stroke) ^{*1}	250 mm (maximum Ø 1,300 mm) 400 mm (center Ø 870 mm)		250 mm (maximum Ø 1,100 mm) 400 mm (center Ø 670 mm)		
	θ axis (rotation angle)	±180 deg (default setting, it can be changed)	-	±180 deg (default setting, it can be changed)	-	
Servo motor	Arm 1, 2, 3	Model	R88M-K1K030T-BS2			
		Capacity	1,000 W			
	Rotational axis 4	Model	R88M-K1K030T-BS2	-	R88M-K1K030T-BS2	-
		Capacity	1,000 W	-	1,000 W	-
Repeatability ^{*2}	X, Y, Z axis	±0.2 mm		±0.3 mm		
	θ axis	±0.3 deg	-	±0.4 deg	-	
Maximum payload	2 kg					
Maximum through-put ^{*3}	120 CPM ^{*4}		150 CPM ^{*4}			
Gear box ratio	X, Y, Z axis	1:31				
	θ axis	1:10	-	1:10	-	
θ axis torque limitation	16 Nm		16 Nm			
User tubing (outer diameter)	Ø 8 ^{*5}					
Travel limit	1. Soft limit, 2. Mechanical stopper (X, Y, Z axis)					
Noise level	< 68 dB (A)					
Ambient temperature	5°C to 45°C					
Relative humidity	Max. 90%					
Protection class	IP65					
Weight	65 kg					

*1. For further details please check the dimensional drawing in the next section.

*2. This is the value at a constant ambient temperature.

*3. With 0.1 kg payload. When reciprocating 305 mm in horizontal and 25 mm in vertical directions.

*4. CPM: Cycle per minutes. Check the note 3 for the cycle definition.

*5. Only for the air suctioning. The air injection is not allowed.

Model		CR_UGD4MINI		
		With rotational axis	Without rotational axis	
Working volume	X, Y axis (stroke)	Ø 500 mm		
	Z axis (stroke) ^{*1}	130 mm (maximum Ø 500 mm)	155 mm (maximum Ø 500 mm)	
	θ axis (rotation angle)	±180 deg (default setting, it can be changed)		
Servo motor	Arm 1, 2, 3	Model	R88M-K40030T-BS2	
		Capacity	400 W	
	Rotational axis 4	Model	R88M-K40030T-BS2	-
		Capacity	400 W	-
Repeatability ^{*2}	X, Y, Z axis	±0.2 mm		
	θ axis	±0.3 deg	-	
Maximum payload		1 kg		
Maximum through-put ^{*3}		200 CPM ^{*4}		
Gear box ratio	X, Y, Z axis	1:25		
	θ axis	1:1	-	
θ axis torque limitation		16 Nm	-	
User tubing (outer diameter)		Ø 8 ^{*5}		
Travel limit		1. Soft limit, 2. Mechanical stopper (X, Y, Z axis)		
Noise level		< 68 dB (A)		
Ambient temperature		5°C to 45°C		
Relative humidity		Max. 90%		
Protection class		IP65 ^{*6}		
Weight		25 kg		

*1. For further details please check the dimensional drawing in the next section.

*2. This is the value at a constant ambient temperature.

*3. With 0.1 kg payload. When reciprocating 305 mm in horizontal and 25 mm in vertical directions.

*4. CPM: Cycle per minutes. Check the note 3 for the cycle definition.

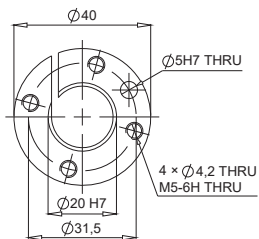
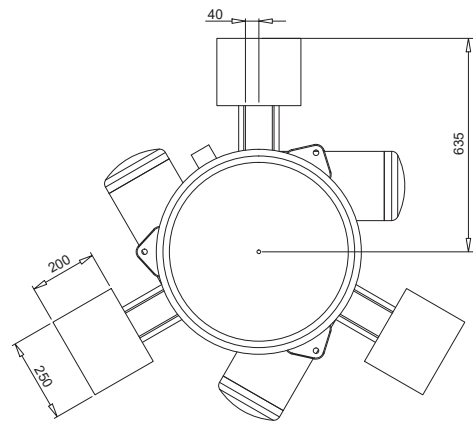
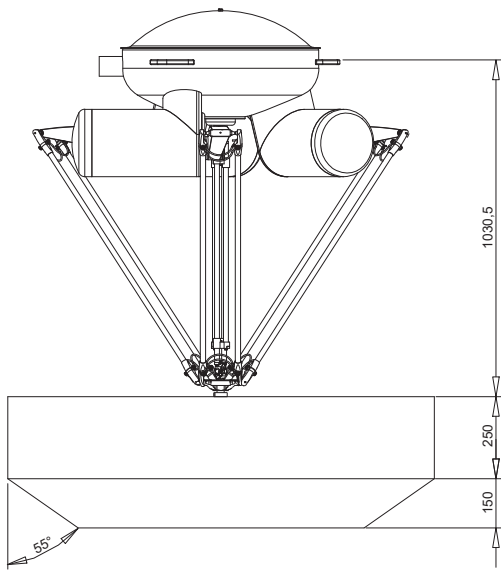
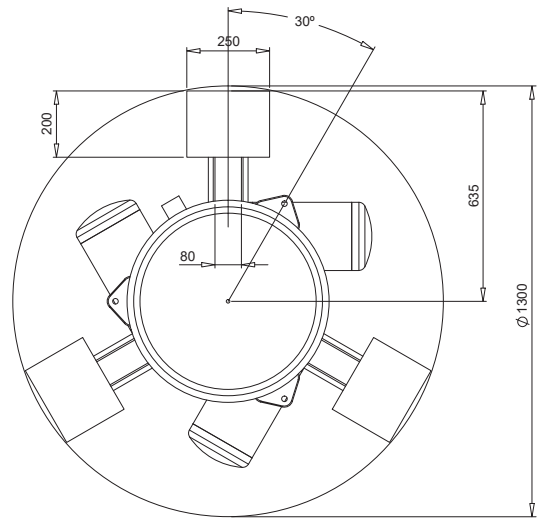
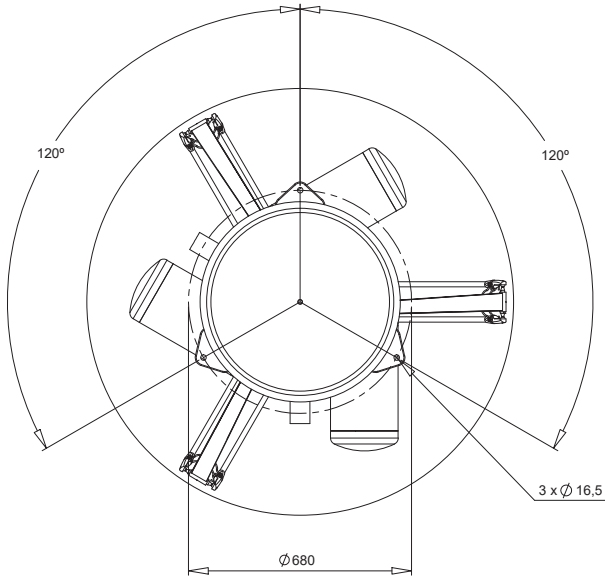
*5. Only for the air suctioning. The air injection is not allowed.

*6. The CR_UGD4MINI_□_TS models are delivered standard with stainless steel + titanium secondary arms.

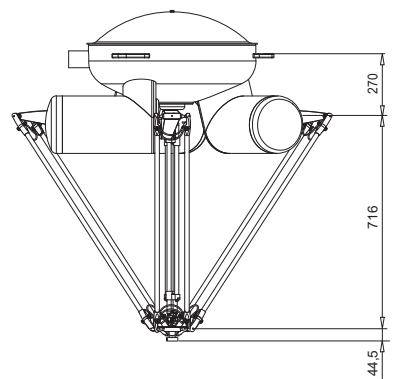
Dimensions

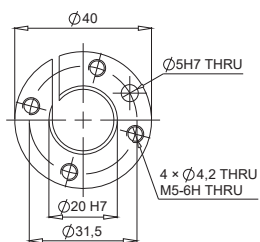
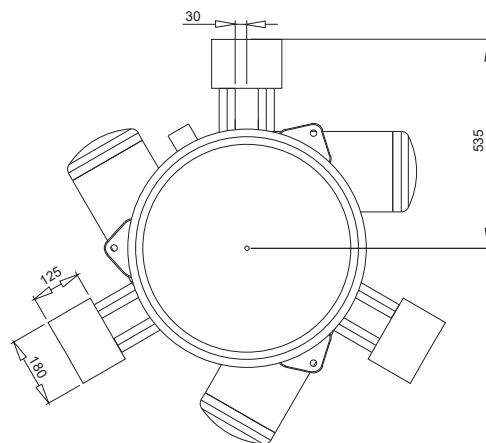
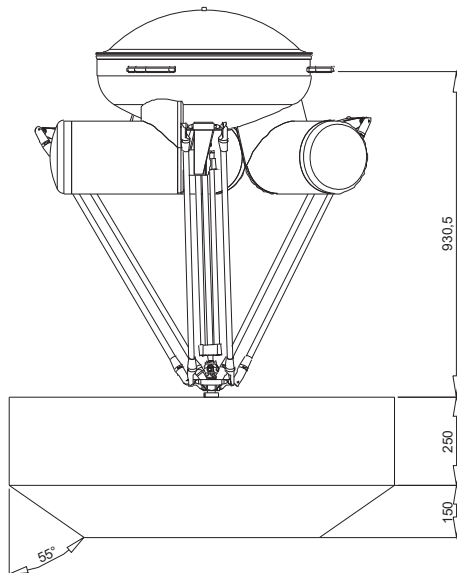
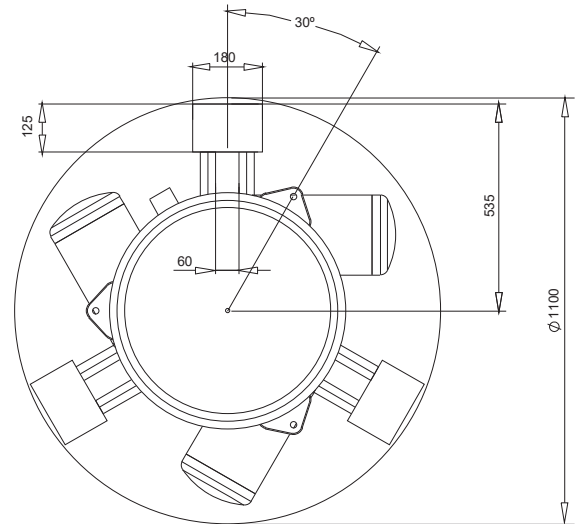
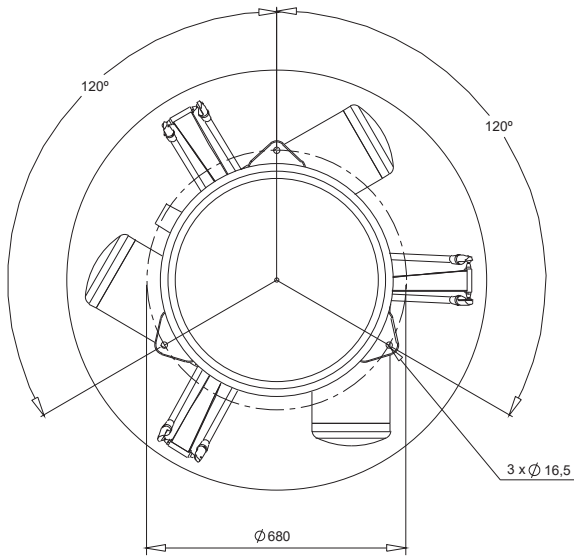
IP69K protection class models

CR_UGD4_XL □ R_HD □

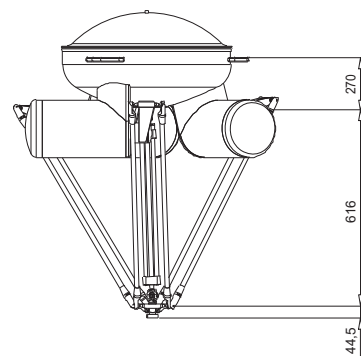


Gripper dimensions

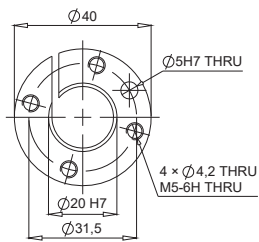
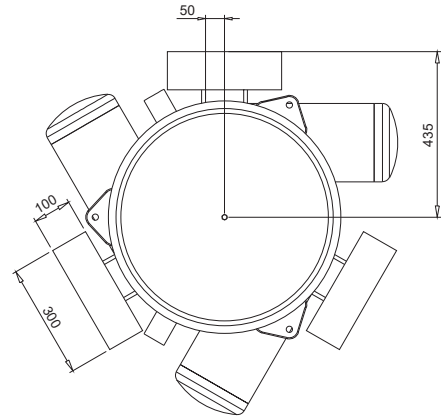
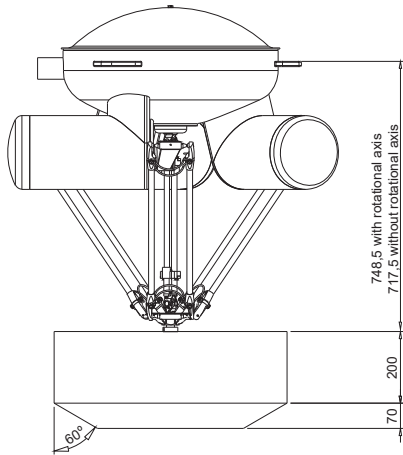
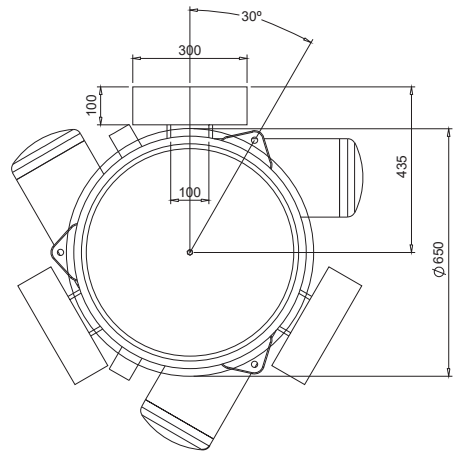
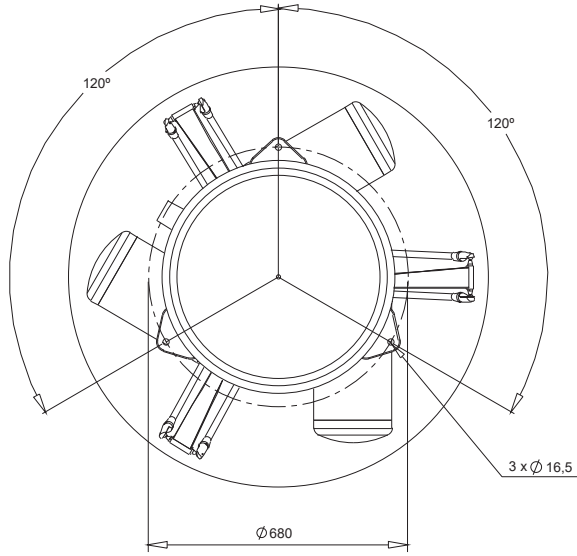




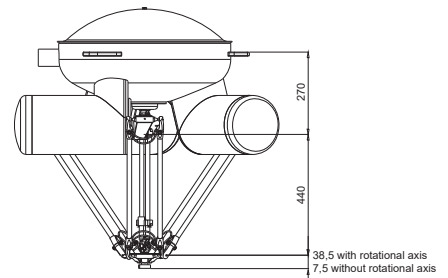
Gripper dimensions



CR_UGD4_XS_□R_HD□

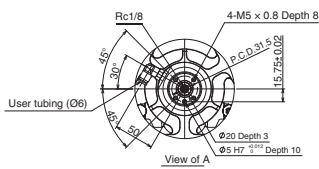
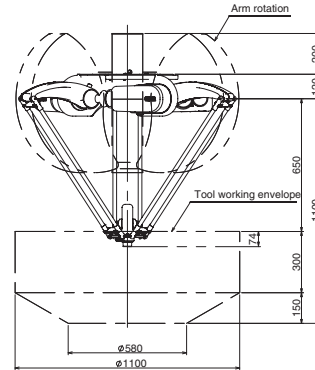
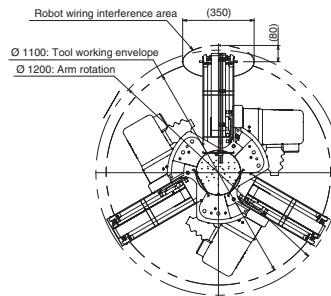
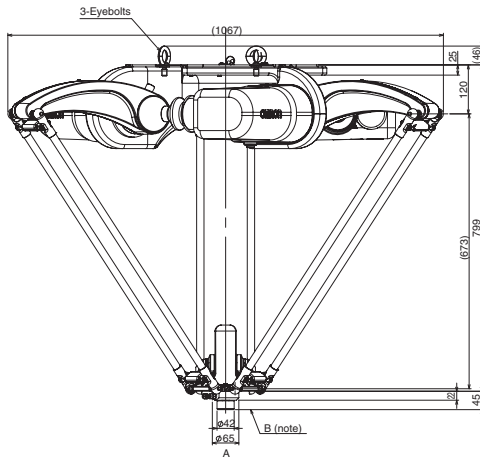
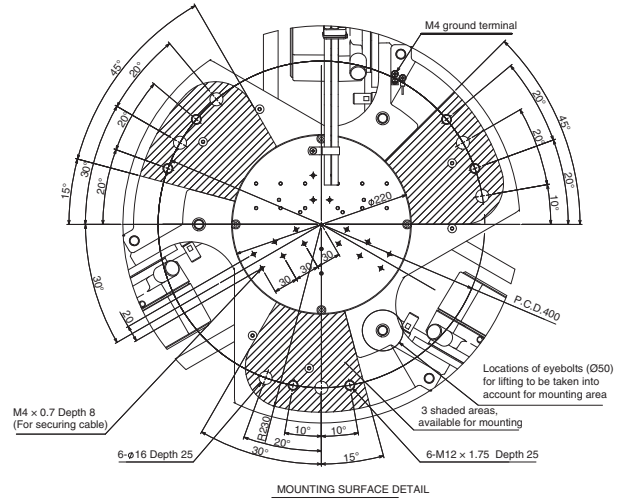
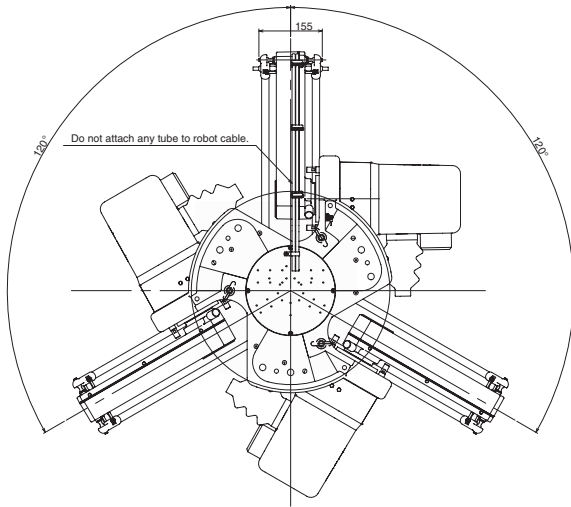


Gripper dimensions



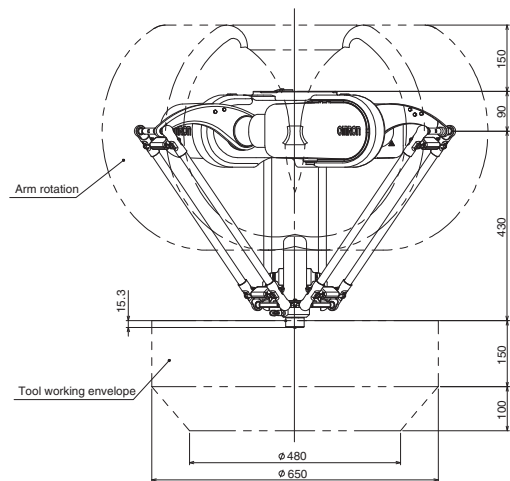
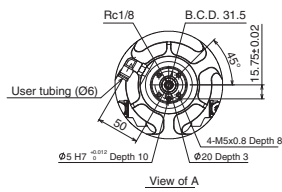
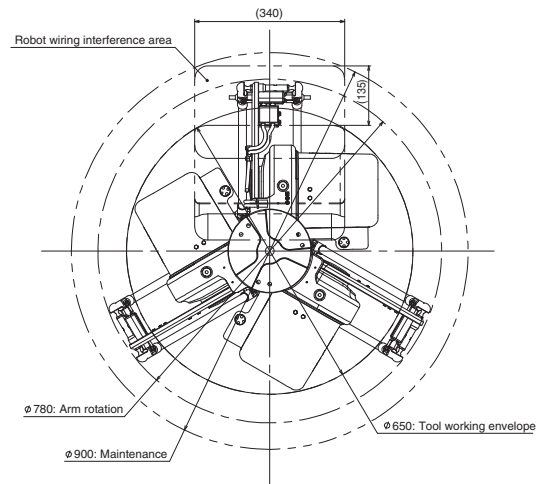
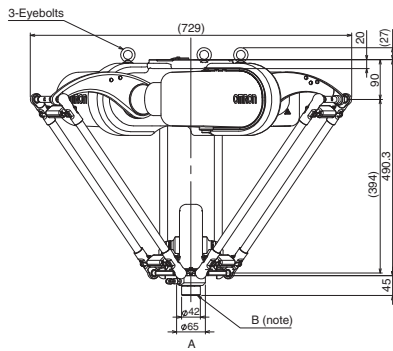
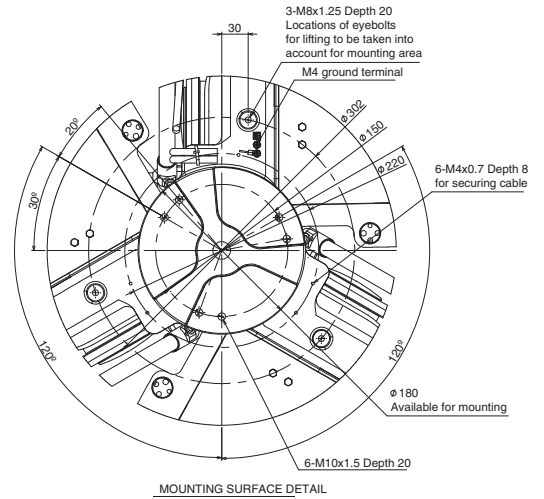
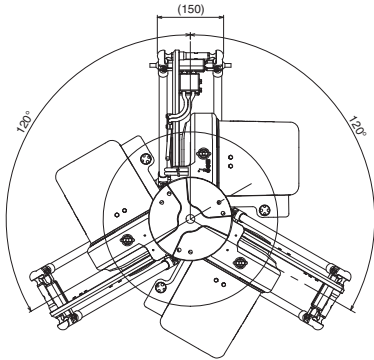
IP67 protection class models

R6Y3□110□03067NJ5



Note: The three areas of the robot base are available for mounting. Leave other area unoccupied for other needs (e.g. wiring). Also note the locations of the eyebolts when designing a mounting frame. Any part of end-effector should not stick out above the surface of B.

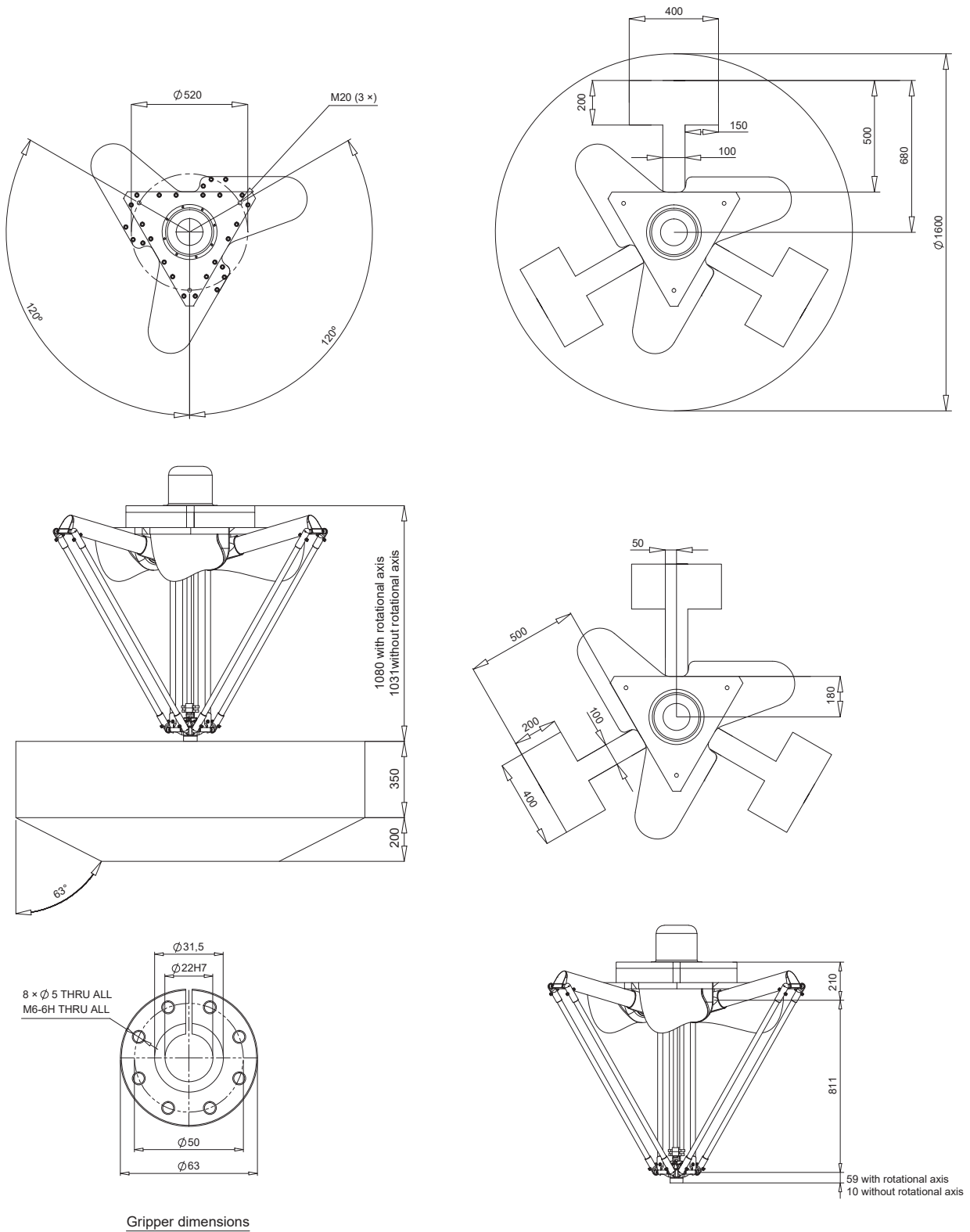
R6Y3□065□02067NJ5



Note: Mounting area should be smaller than 180 mm diameter to avoid collision with robot cable. Frame of base should not be in the arm moving area. Any part of end-effector should not stick out above the surface of B.

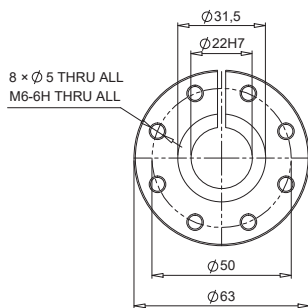
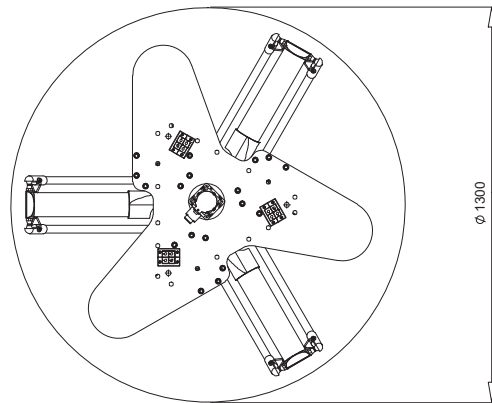
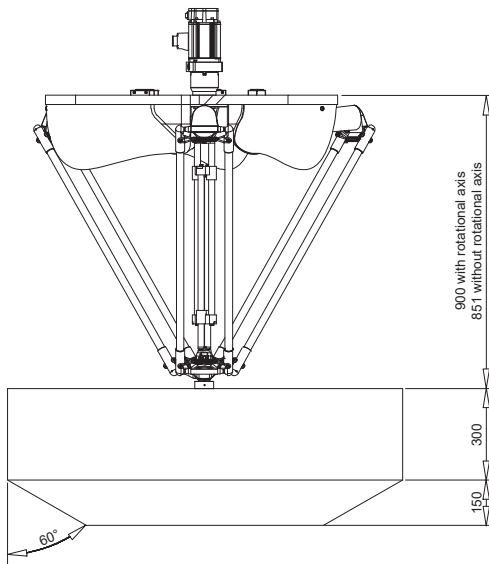
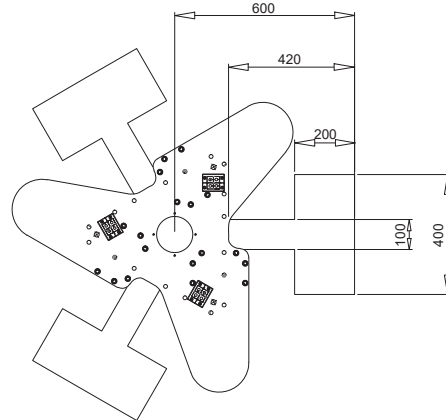
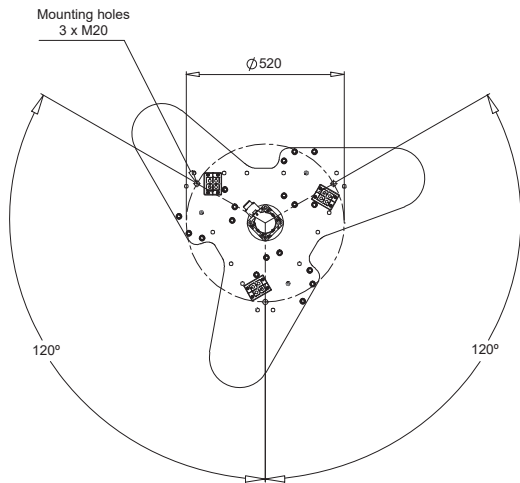
IP65 protection class models

CR_UGD4_XXLH_□R

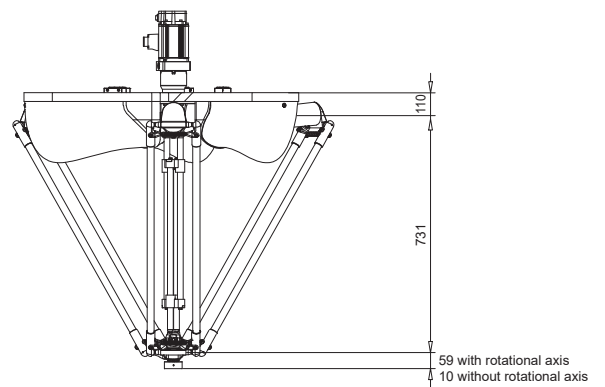


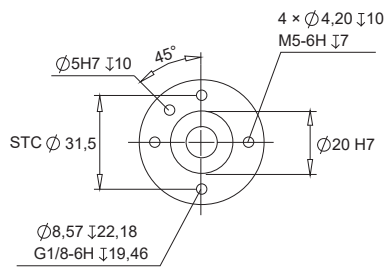
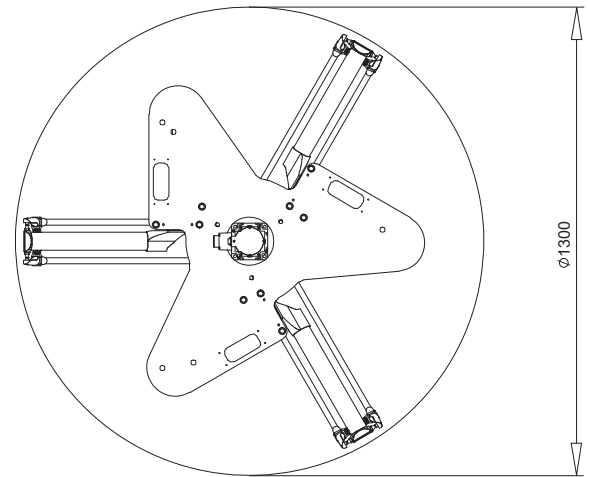
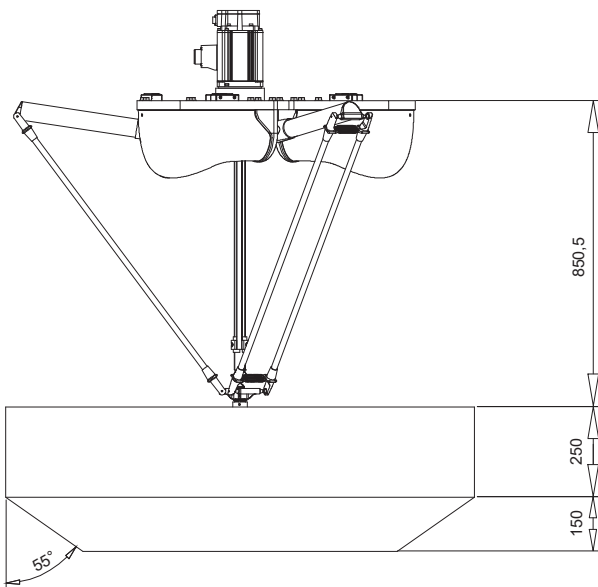
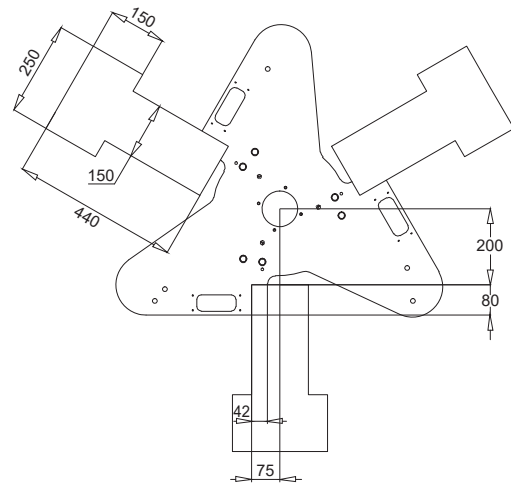
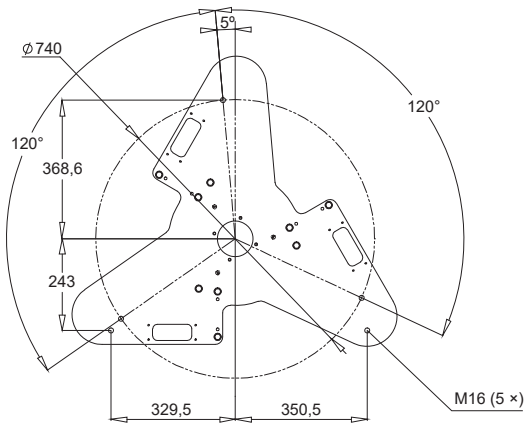
Gripper dimensions

CR_UGD4_XXL1300H_□R

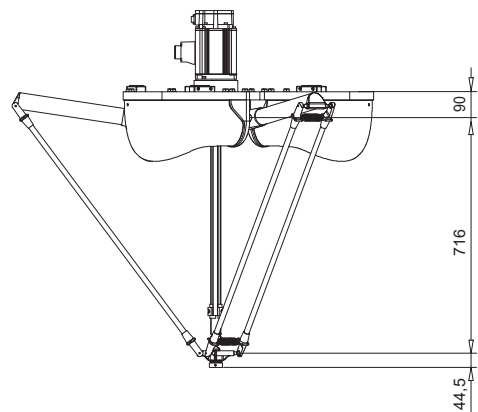


Gripper dimensions

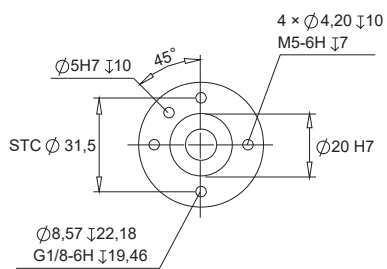
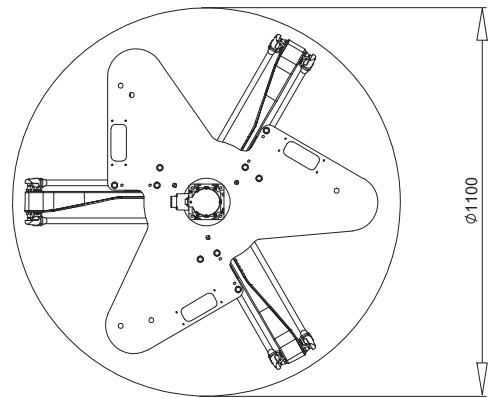
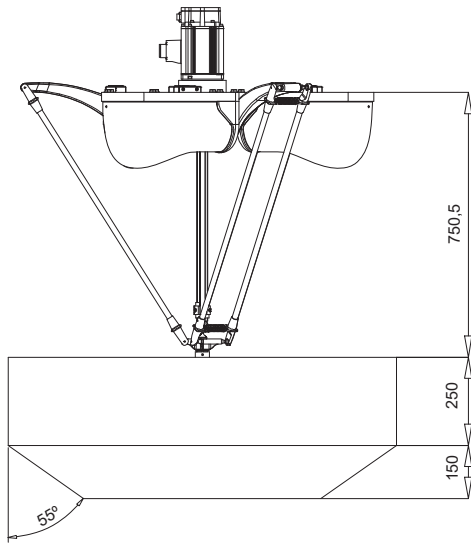
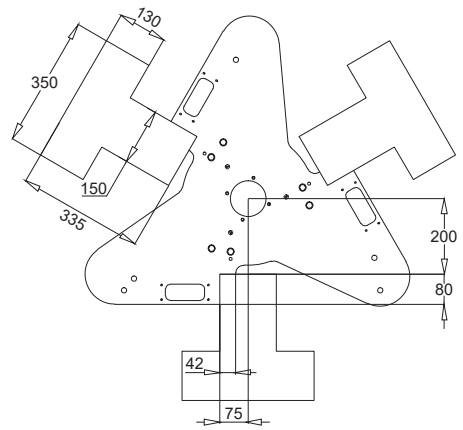
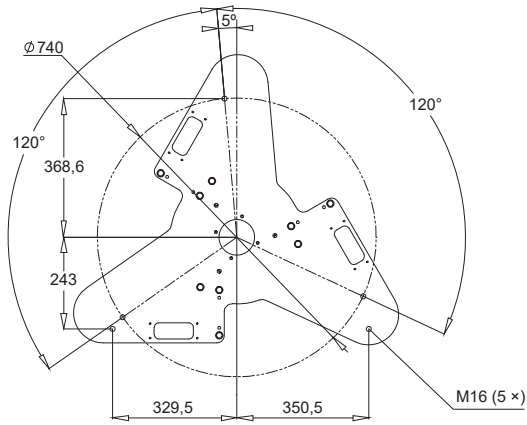




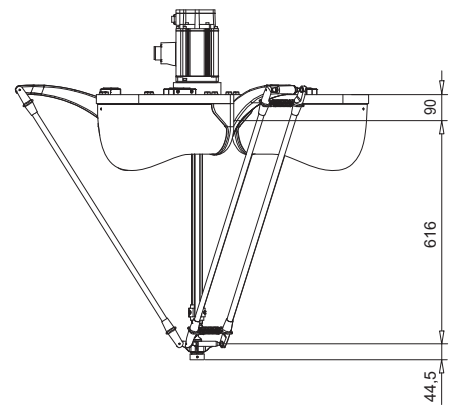
Gripper dimensions

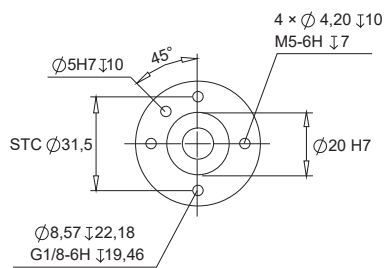
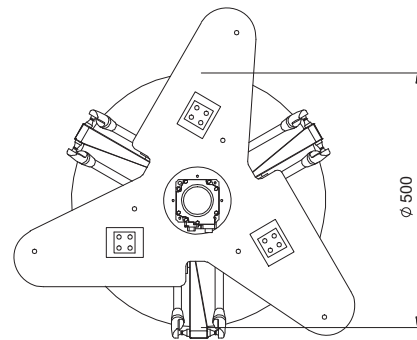
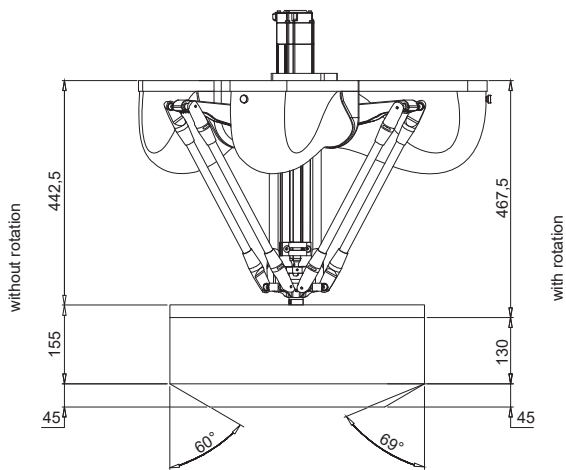
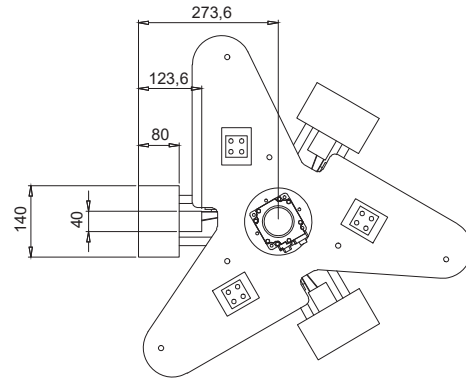
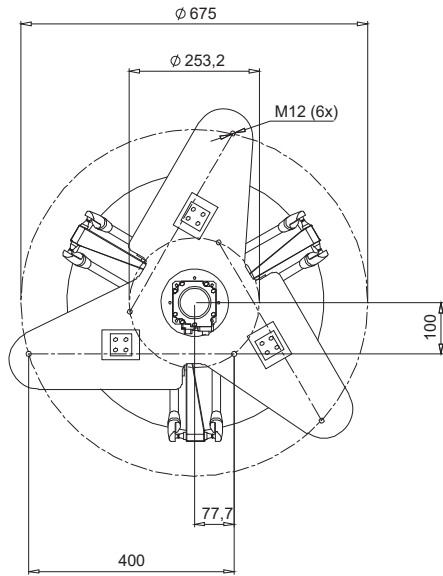


CR_UGD4_□R

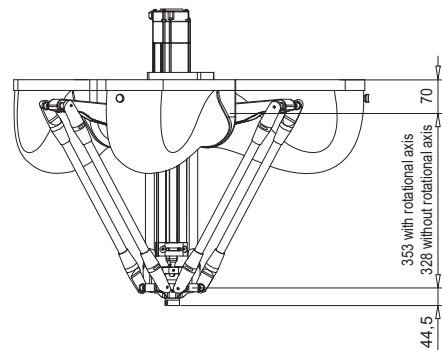


Gripper dimensions

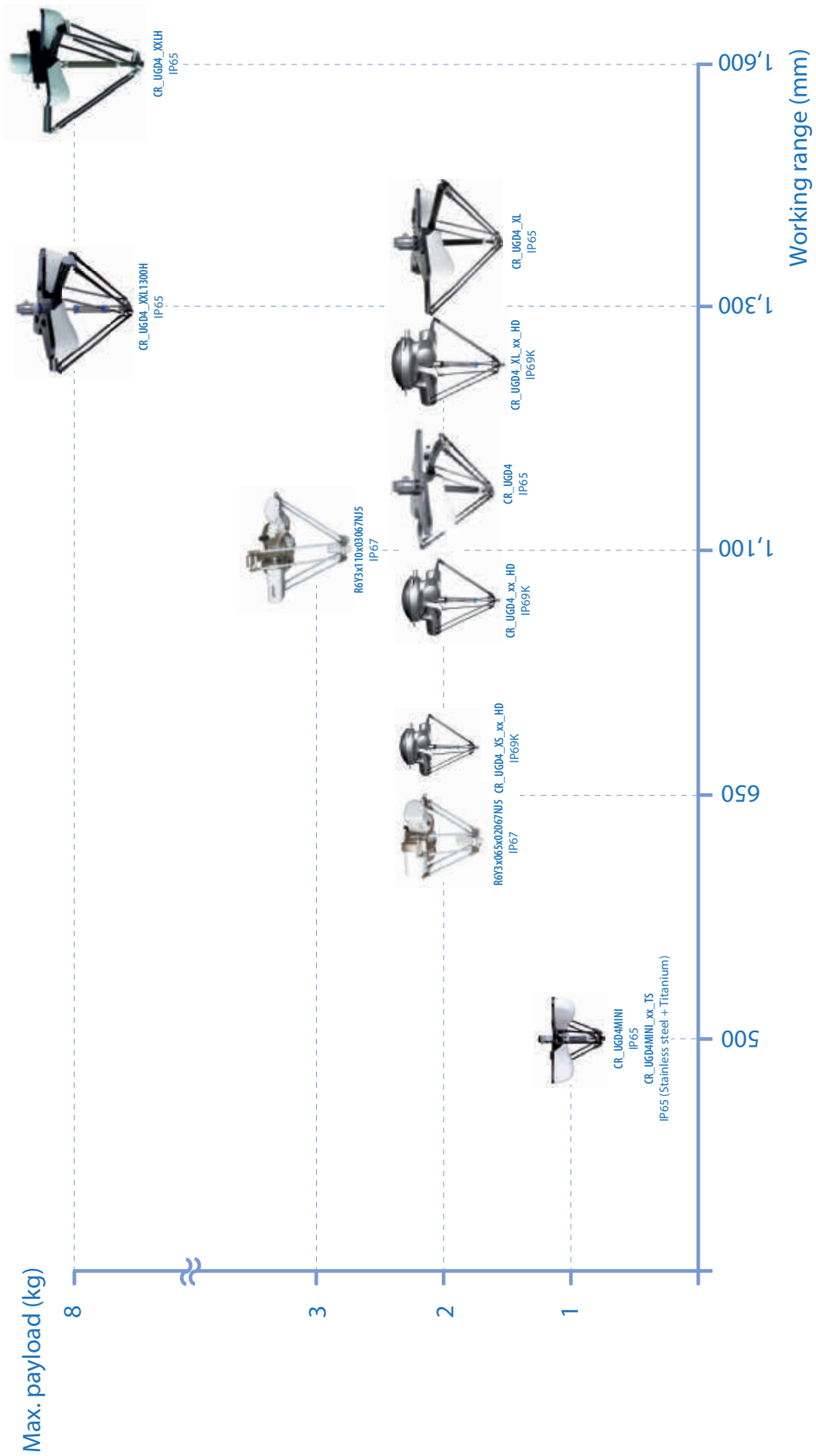




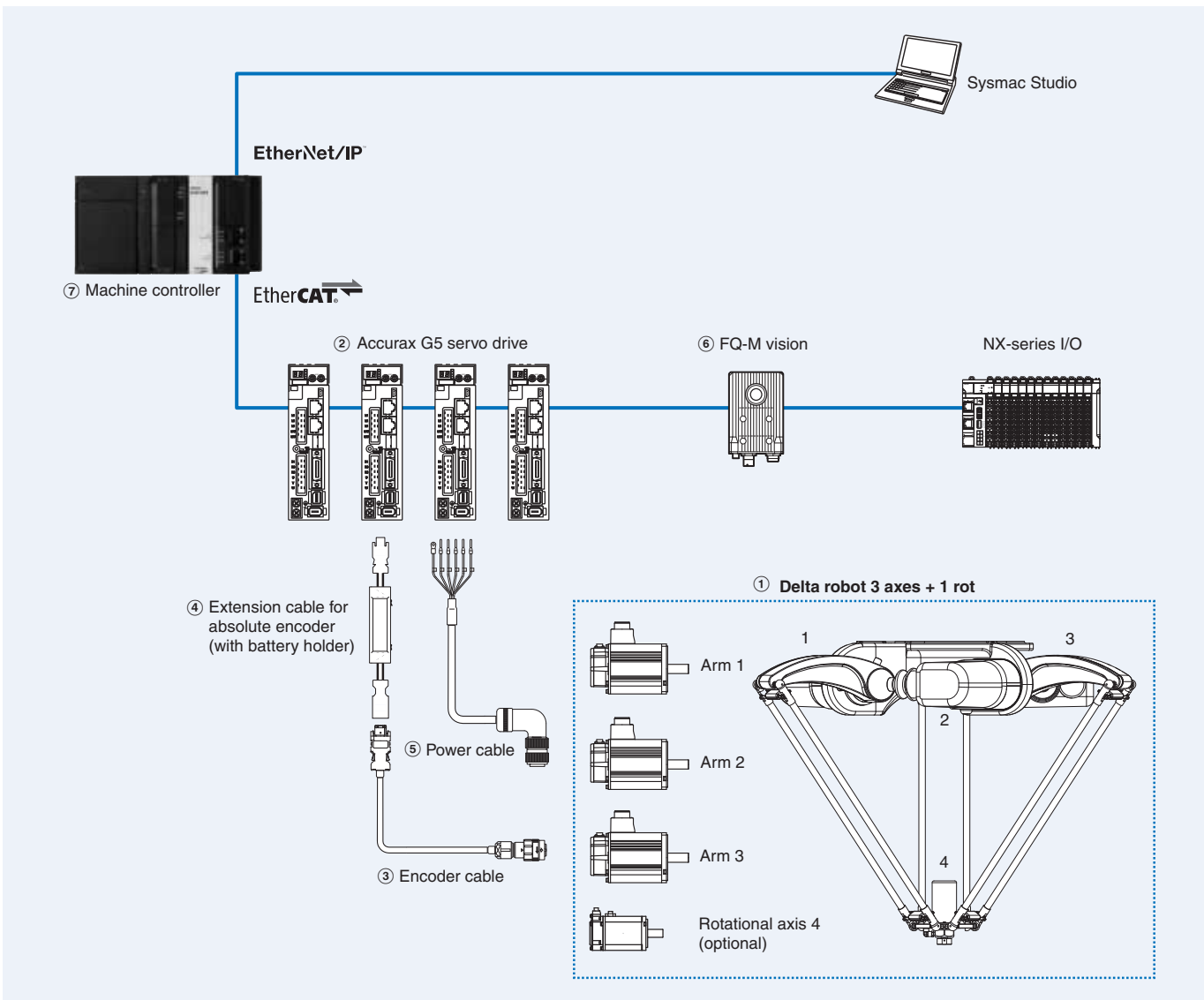
Gripper dimensions



Selection table



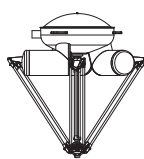
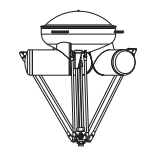
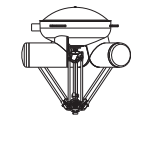
Ordering information



Note: Servo motors included in the Delta robot.

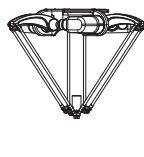
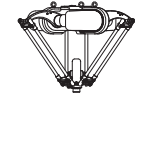
Delta robot 3 axes + 1 rot series

IP69K protection class models


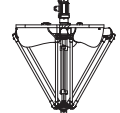



Symbol	Model	Cable length	Max. payload	Working range	Description ¹	Axis	②Applicable servo drive		
① 	CR_UGD4_XL_R_HD3	3 m	2 kg	Ø 1,300 x 250 mm (Max. 400)	3 + 1 axes Hygienic Design	Arm 1	R88D-KN15H-ECT		
	CR_UGD4_XL_R_HD5	5 m				Arm 2	R88D-KN15H-ECT		
	CR_UGD4_XL_R_HD10	10 m				Arm 3	R88D-KN15H-ECT		
	CR_UGD4_XL_R_HD15	15 m				Rotational 4	R88D-KN08H-ECT		
	CR_UGD4_XL_R_HD20	20 m							
	CR_UGD4_XL_NR_HD3	3 m			3 axes Hygienic Design	Arm 1	R88D-KN15H-ECT		
	CR_UGD4_XL_NR_HD5	5 m				Arm 2	R88D-KN15H-ECT		
	CR_UGD4_XL_NR_HD10	10 m				Arm 3	R88D-KN15H-ECT		
	CR_UGD4_XL_NR_HD15	15 m							
	CR_UGD4_XL_NR_HD20	20 m							
① 	CR_UGD4_R_HD3	3 m	2 kg	Ø 1,100 x 250 mm (Max. 400)	3 + 1 axes Hygienic Design	Arm 1	R88D-KN15H-ECT		
	CR_UGD4_R_HD5	5 m				Arm 2	R88D-KN15H-ECT		
	CR_UGD4_R_HD10	10 m				Arm 3	R88D-KN15H-ECT		
	CR_UGD4_R_HD15	15 m				Rotational 4	R88D-KN08H-ECT		
	CR_UGD4_R_HD20	20 m							
	CR_UGD4_NR_HD3	3 m			3 axes Hygienic Design	Arm 1	R88D-KN15H-ECT		
	CR_UGD4_NR_HD5	5 m				Arm 2	R88D-KN15H-ECT		
	CR_UGD4_NR_HD10	10 m				Arm 3	R88D-KN15H-ECT		
	CR_UGD4_NR_HD15	15 m							
	CR_UGD4_NR_HD20	20 m							
① 	CR_UGD4_XS_R_HD3	3 m	2 kg	Ø 650 x 200 mm (Max. 270)	3 + 1 axes Hygienic Design	Arm 1	R88D-KN15H-ECT		
	CR_UGD4_XS_R_HD5	5 m				Arm 2	R88D-KN15H-ECT		
	CR_UGD4_XS_R_HD10	10 m				Arm 3	R88D-KN15H-ECT		
	CR_UGD4_XS_R_HD15	15 m				Rotational 4	R88D-KN08H-ECT		
	CR_UGD4_XS_R_HD20	20 m							
	CR_UGD4_XS_NR_HD3	3 m			3 axes Hygienic Design	Arm 1	R88D-KN15H-ECT		
	CR_UGD4_XS_NR_HD5	5 m				Arm 2	R88D-KN15H-ECT		
	CR_UGD4_XS_NR_HD10	10 m				Arm 3	R88D-KN15H-ECT		
	CR_UGD4_XS_NR_HD15	15 m							
	CR_UGD4_XS_NR_HD20	20 m							

¹The models with IP69K protection class include the encoder, power and brake cables.

IP67 protection class models


Symbol	Model	Max. payload	Working range	Description	Axis	②Applicable servo drive
① 	R6Y31110H03067NJ5	3 kg	Ø 1,100 x 300 mm (Max. 450)	3 + 1 axes (high inertia rotational axis)	Arm 1	R88D-KN15H-ECT
	R6Y31110L03067NJ5				Arm 2	R88D-KN15H-ECT
					Arm 3	R88D-KN15H-ECT
					Rotational 4	R88D-KN01H-ECT
	R6Y30110S03067NJ5			3 + 1 axes (low inertia rotational axis)	Arm 1	R88D-KN15H-ECT
				Arm 2	R88D-KN15H-ECT	
				Arm 3	R88D-KN15H-ECT	
				Rotational 4	R88D-KN01H-ECT	
				3 axes	Arm 1	R88D-KN15H-ECT
Arm 2	R88D-KN15H-ECT					
Arm 3	R88D-KN15H-ECT					
① 	R6Y31065H02067NJ5	2 kg	Ø 650 x 150 mm (Max. 250)	3 + 1 axes (high inertia rotational axis)	Arm 1	R88D-KN04H-ECT
	R6Y31065L02067NJ5				Arm 2	R88D-KN04H-ECT
					Arm 3	R88D-KN04H-ECT
					Rotational 4	R88D-KN01H-ECT
	R6Y30065S02067NJ5			3 + 1 axes (low inertia rotational axis)	Arm 1	R88D-KN04H-ECT
				Arm 2	R88D-KN04H-ECT	
				Arm 3	R88D-KN04H-ECT	
				Rotational 4	R88D-KN01H-ECT	
				3 axes	Arm 1	R88D-KN04H-ECT
Arm 2	R88D-KN04H-ECT					
Arm 3	R88D-KN04H-ECT					

IP65 protection class models

Symbol	Model	Max. payload	Working range	Description	Axis	②Applicable servo drive
① 	CR_UGD4_XXLH_R	8 kg	Ø 1,600 x 350 mm (Max. 550)	3 + 1 axes	Arm 1	R88D-KN30F-ECT
	CR_UGD4_XXLH_NR				Arm 2	R88D-KN30F-ECT
① 	CR_UGD4_XXL1300H_R		Ø 1,300 x 300 mm (Max. 450)	3 + 1 axes	Arm 3	R88D-KN30F-ECT
	CR_UGD4_XXL1300H_NR				Rotational 4	R88D-KN15F-ECT
① 	CR_UGD4_XL_R	2 kg	Ø 1,300 x 250 mm (Max. 400)	3 + 1 axes	Arm 1	R88D-KN15H-ECT
	CR_UGD4_XL_NR				Arm 2	R88D-KN15H-ECT
① 	CR_UGD4_R	2 kg	Ø 1,100 x 250 mm (Max. 400)	3 + 1 axes	Arm 3	R88D-KN15H-ECT
	CR_UGD4_NR				Rotational 4	R88D-KN15H-ECT
① 	CR_UGD4MINI_R	1 kg	Ø 500 x 130 mm (Max. 175)	3 + 1 axes	Arm 1	R88D-KN04H-ECT
	CR_UGD4MINI_R_TS ^{*1}				Arm 2	R88D-KN04H-ECT
	CR_UGD4MINI_NR		Ø 500 x 155 mm (Max. 200)	3 axes	Arm 3	R88D-KN04H-ECT
	CR_UGD4MINI_NR_TS ^{*1}				Rotational 4	R88D-KN04H-ECT

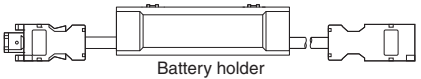

*1: The CR_UGD4MINI_□_TS models are delivered standard with stainless steel + titanium secondary arms.

Encoder cables

Symbol	Applicable Delta robots	Model	Appearance
③	CR_UGD4_XL_□_HD□ (Arm 1, 2, 3) ^{*1}	1.5 m R88A-CRKC001-5NR-E	
	CR_UGD4_□_HD□ (Arm 1, 2, 3) ^{*1}	3 m R88A-CRKC003NR-E	
	CR_UGD4_XS_□_HD□ (Arm 1, 2, 3) ^{*1}	5 m R88A-CRKC005NR-E	
	R6Y3□110□03067NJ5	10 m R88A-CRKC010NR-E	
	CR_UGD4_XXLH	15 m R88A-CRKC015NR-E	
	CR_UGD4_XXL1300H	20 m R88A-CRKC020NR-E	
	CR_UGD4_XL		
	CR_UGD4		
	R6Y3□065□02067NJ5 (Rotational axis 4)		
	CR_UGD4_XL_□_HD□ (Rotational axis 4) ^{*1}	1.5 m R88A-CRKA001-5CR-E	
CR_UGD4_□_HD□ (Rotational axis 4) ^{*1}	3 m R88A-CRKA003CR-E		
CR_UGD4_XS_□_HD□ (Rotational axis 4) ^{*1}	5 m R88A-CRKA005CR-E		
R6Y3□065□02067NJ5 (Arm 1, 2, 3)	10 m R88A-CRKA010CR-E		
CR_UGD4MINI_□_TS	15 m R88A-CRKA015CR-E		
CR_UGD4MINI	20 m R88A-CRKA020CR-E		

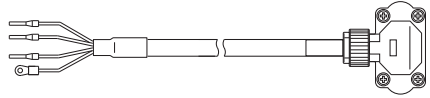

*1: The models with IP69K protection class include the encoder cables.

Absolute encoder battery cable (encoder extension cable only)

Symbol	Specifications	Model	Appearance
④	Absolute encoder battery cable	Battery not included 0.3 m R88A-CRGD0R3C-E	 Battery holder
		Battery included 0.3 m R88A-CRGD0R3C-BS-E	
	Absolute encoder backup battery	2,000 mA, 3.6 V - R88A-BAT01G	

Power and brake cables

Symbol	Applicable Delta robots				Model	Appearance
⑤	CR_UGD4_XL□_HD□ ¹ CR_UGD4□_HD□ CR_UGD4_XS□_HD□	Arm 1, 2, 3	Power cable with brake	1.5 m	R88A-CAGB001-5BR-E	
				3 m	R88A-CAGB003BR-E	
				5 m	R88A-CAGB005BR-E	
				10 m	R88A-CAGB010BR-E	
				15 m	R88A-CAGB015BR-E	
				20 m	R88A-CAGB020BR-E	
		Rotational axis 4	Power cable without brake	1.5 m	R88A-CAKA001-5SR-E	
				3 m	R88A-CAKA003SR-E	
				5 m	R88A-CAKA005SR-E	
				10 m	R88A-CAKA010SR-E	
				15 m	R88A-CAKA015SR-E	
				20 m	R88A-CAKA020SR-E	
	Rotational axis 4	Brake cable	1.5 m	R88A-CAKA001-5BR-E		
			3 m	R88A-CAKA003BR-E		
			5 m	R88A-CAKA005BR-E		
			10 m	R88A-CAKA010BR-E		
			15 m	R88A-CAKA015BR-E		
			20 m	R88A-CAKA020BR-E		
	R6Y3□110□03067NJ5	Arm 1, 2, 3	Power cable with brake	1.5 m	R88A-CAGB001-5BR-E	
				3 m	R88A-CAGB003BR-E	
				5 m	R88A-CAGB005BR-E	
				10 m	R88A-CAGB010BR-E	
				15 m	R88A-CAGB015BR-E	
				20 m	R88A-CAGB020BR-E	
Rotational axis 4		Power cable without brake	1.5 m	R88A-CAGB001-5SR-E		
			3 m	R88A-CAGB003SR-E		
			5 m	R88A-CAGB005SR-E		
			10 m	R88A-CAGB010SR-E		
			15 m	R88A-CAGB015SR-E		
			20 m	R88A-CAGB020SR-E		
CR_UGD4_XXLH CR_UGD4_XXL1300H	Arm 1, 2, 3	Power cable with brake	1.5 m	R88A-CAGD001-5BR-E		
			3 m	R88A-CAGD003BR-E		
			5 m	R88A-CAGD005BR-E		
			10 m	R88A-CAGD010BR-E		
			15 m	R88A-CAGD015BR-E		
			20 m	R88A-CAGD020BR-E		
	Rotational axis 4	Power cable with brake	1.5 m	R88A-CAKF001-5BR-E		
			3 m	R88A-CAKF003BR-E		
			5 m	R88A-CAKF005BR-E		
			10 m	R88A-CAKF010BR-E		
			15 m	R88A-CAKF015BR-E		
			20 m	R88A-CAKF020BR-E		
CR_UGD4_XL CR_UGD4	Arm 1, 2, 3 and rotational axis 4	Power cable with brake	1.5 m	R88A-CAGB001-5BR-E		
			3 m	R88A-CAGB003BR-E		
			5 m	R88A-CAGB005BR-E		
			10 m	R88A-CAGB010BR-E		
			15 m	R88A-CAGB015BR-E		
			20 m	R88A-CAGB020BR-E		
	R6Y3□065□02067NJ5	Arm 1, 2, 3	Power cable without brake	1.5 m	R88A-CAKA001-5SR-E	
				3 m	R88A-CAKA003SR-E	
				5 m	R88A-CAKA005SR-E	
				10 m	R88A-CAKA010SR-E	
				15 m	R88A-CAKA015SR-E	
				20 m	R88A-CAKA020SR-E	
Rotational axis 4		Brake cable	1.5 m	R88A-CAKA001-5BR-E		
			3 m	R88A-CAKA003BR-E		
			5 m	R88A-CAKA005BR-E		
			10 m	R88A-CAKA010BR-E		
			15 m	R88A-CAKA015BR-E		
			20 m	R88A-CAKA020BR-E		
Rotational axis 4	Power cable without brake	1.5 m	R88A-CAGB001-5SR-E			
		3 m	R88A-CAGB003SR-E			
		5 m	R88A-CAGB005SR-E			
		10 m	R88A-CAGB010SR-E			
		15 m	R88A-CAGB015SR-E			
		20 m	R88A-CAGB020SR-E			

Symbol	Applicable Delta robots				Model	Appearance	
⑤	CR_UGD4MINI□_TS CR_UGD4MINI	Arm 1, 2, 3 and rotational axis 4	Power cable without brake	1.5 m	R88A-CAKA001-5SR-E		
				3 m	R88A-CAKA003SR-E		
				5 m	R88A-CAKA005SR-E		
				10 m	R88A-CAKA010SR-E		
				15 m	R88A-CAKA015SR-E		
			20 m	R88A-CAKA020SR-E			
			Brake cable	1.5 m	R88A-CAKA001-5BR-E		
				3 m	R88A-CAKA003BR-E		
				5 m	R88A-CAKA005BR-E		
				10 m	R88A-CAKA010BR-E		
15 m	R88A-CAKA015BR-E						
20 m	R88A-CAKA020BR-E						

*1: The models with IP69K protection class include the power and brake cables.

Vision

Name	Type		Model
⑥ FQ-M series	Color	NPN	FQ-MS120-ECT
		PNP	FQ-MS125-ECT
	Monochrome	NPN	FQ-MS120-M-ECT
		PNP	FQ-MS125-M-ECT

Machine controller

Name		Functions	Delta robot control	Axes	Model
⑦ NJ Robotics	CPU unit	Logic sequence, motion, robotics and database connection	Control of up to 8 Delta robot depending on the number of axes supported by the CPU	16	NJ501-4320
				64	NJ501-4500
				32	NJ501-4400
				16	NJ501-4300
				16	NJ501-4310
	Power supply unit				

Accessories

Name	Applicable Delta robots	Specifications	Model
Anti-collision detection option	R6Y3□110□03067NJ5 R6Y3□065□02067NJ5	Connectors mounted between the TCP flange and the arms	R6YACAD01

Computer software

Specifications	Model
Sysmac Studio version 1.03 or higher	SYSMAC-SE2□□□

ALL DIMENSIONS SHOWN ARE IN MILLIMETERS.
To convert millimeters into inches, multiply by 0.03937. To convert grams into ounces, multiply by 0.03527.

Mouser Electronics

Authorized Distributor

Click to View Pricing, Inventory, Delivery & Lifecycle Information:

Omron:

[R88A-CAKA001-5SR-E](#) [R88A-CAGB020BR-E](#) [R88A-CAGB015SR-E](#) [R88A-CAKA010SR-E](#) [R88A-CAGD020BR-E](#)
[R88A-CAGD003BR-E](#) [R88A-CAKA001-5BR-E](#) [R88A-CAGD001-5SR-E](#) [R88A-CAKF005BR-E](#) [R88A-CAKF010BR-E](#)
[R88A-CAGB020SR-E](#) [R88A-CAGD015BR-E](#) [R88A-CAKA005BR-E](#) [R88A-CAKA020SR-E](#) [R88A-CAGD005SR-E](#)
[R88A-CAGB001-5BR-E](#) [R88A-CAGD010SR-E](#) [R88A-CAGB003BR-E](#) [R88A-CAGD010BR-E](#) [R88A-CAKA003SR-E](#)
[R88A-CAKF003BR-E](#) [R88A-CAKF015BR-E](#) [R88A-CAGD003SR-E](#) [R88A-CAGD005BR-E](#) [R88A-CAGB010SR-E](#)
[R88A-CAGD015SR-E](#) [R88A-CAGB015BR-E](#) [R88A-CAGB005SR-E](#) [R88A-CAGB005BR-E](#) [R88A-CAKA003BR-E](#)
[R88A-CAKA005SR-E](#) [R88A-CAGB010BR-E](#) [R88A-CAKF001-5BR-E](#) [R88A-CAKA015SR-E](#) [R88A-CAGD020SR-E](#)
[R88A-CAGB001-5SR-E](#) [R88A-CAKA020BR-E](#) [R88A-CAKA015BR-E](#) [R88A-CAKA010BR-E](#) [R88A-CAGD001-5BR-E](#)
[R88A-CAGB003SR-E](#)