

TUNING FORK CRYSTAL UNIT (SMD · Jacket Type)

RoHS compliant / Pb free

CMJ206T

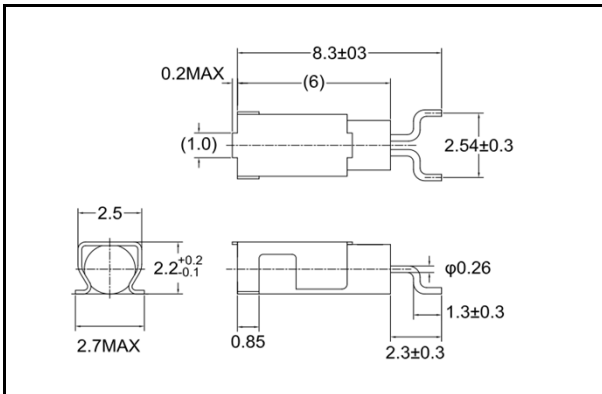
3,000pcs/reel



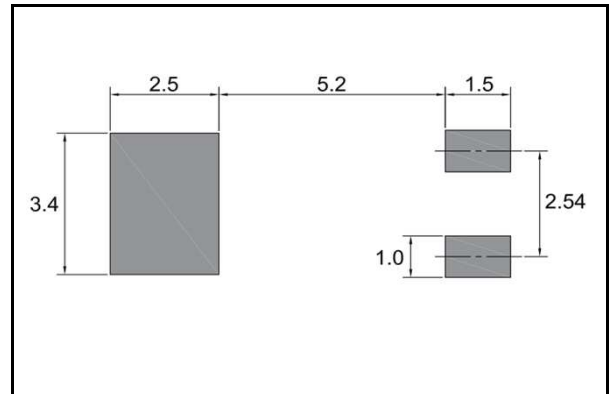
■ FEATURES

- Reflowable cylinder type
- Frequency range : 32.768kHz
- External dimensions (mm)
L : 8.6 x W : 2.7 x H : 2.4
- Applications
Smart Meters / Consumer products

■ DIMENSION [mm]



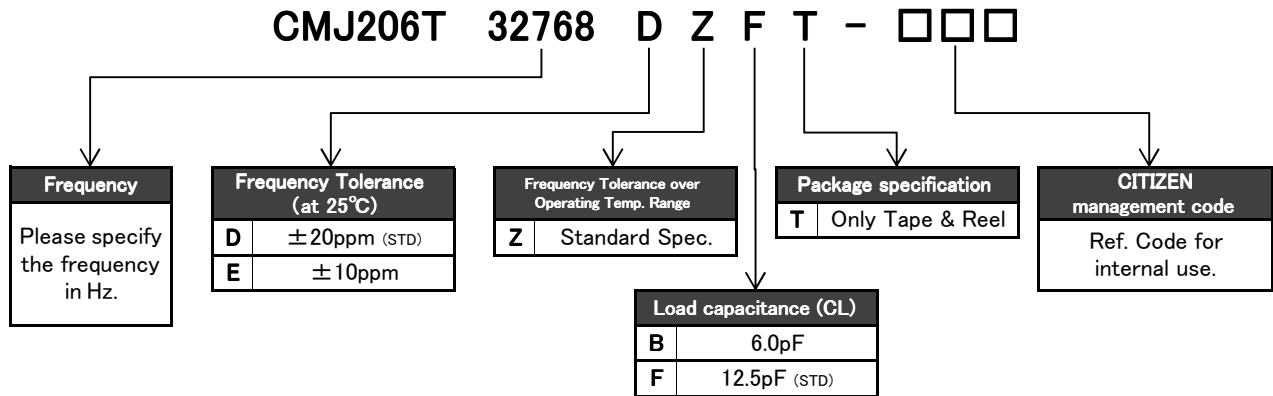
■ SOLDER PAD LAYOUT [mm]



■ STANDARD SPECIFICATIONS

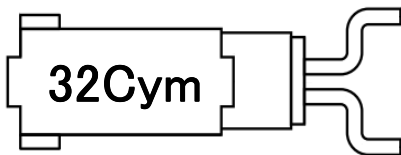
| Item | Model | CMJ206T | Conditions |
|------------------------------|-------------------|---------------------------------|---------------------------------|
| Nominal Frequency | f ₀ | 32.768kHz | |
| Frequency Tolerance | Δf/f ₀ | ±10ppm / ±20ppm | at 25°C |
| Load capacitance | C _L | 6.0pF / 12.5pF | Please specify your requirement |
| Operating Temperature Range | T _{OPR} | -40°C ~ +85°C | |
| Storage Temperature Range | T _{STR} | -55°C ~ +125°C | |
| Turnover Temperature | T _M | 25°C±5°C | |
| Temperature Coefficient | β | -0.034±0.006ppm/°C ² | |
| Motional (series) resistance | R _l | 50K Ω Max. | at 25°C |
| Level of drive | D _L | 1 μW Max. | |
| Aging (first year) | Δf/f ₀ | ±3ppm Max. | 25°C±3°C |
| Shunt capacitance | C ₀ | 1.35pF Typ. | |

■ PART NUMBERING SYSTEM



*Please contact us for specifications available.

■ Part Marking [standard]



32C : Manufacture's ID Code

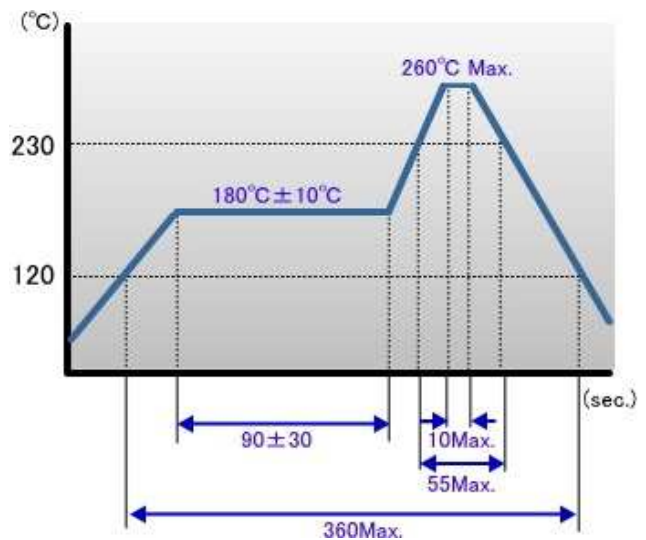
y : The last digit of production year

m : Production month (See Table.1)

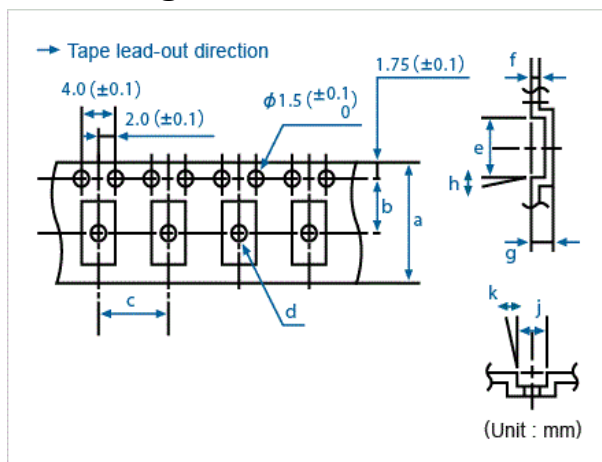
Table.1

| Month | Jan | Feb | ... | Sep | Oct | Nov | Dec |
|-------|-----|-----|-----|-----|-----|-----|-----|
| Code | 1 | 2 | ... | 9 | X | Y | Z |

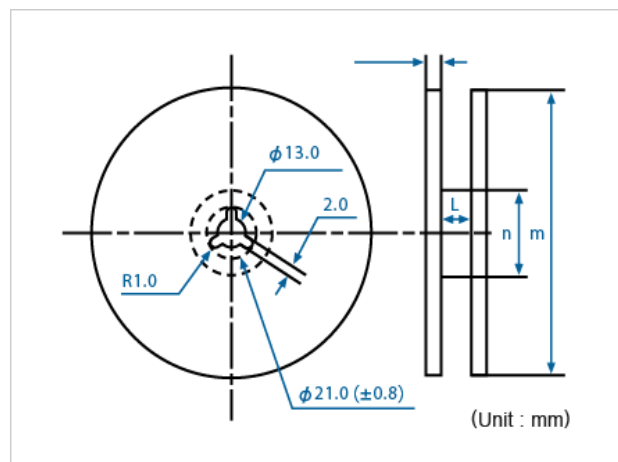
■ Reflow profile



■ Packing



Conforming to JIS C 0806 TB1208NEIAJ and RC-1009B TE1208N



Conforming to JIS C 0806 R12R and EIAJ RC-1009B R15

| Q'ty/reel | a | b | c | d (φ) | e | f | g | h | j | k | l | m (φ) | n (φ) |
|-----------|------|-----|-----|-------|-----|-----|-----|---|-----|----|------|-------|-------|
| 3,000 | 16.0 | 9.2 | 8.0 | - | 9.5 | 0.3 | 2.1 | - | 3.0 | 5° | 17.5 | 330 | 100 |

Product specifications are subject to change without notice.

Rev.2

Mouser Electronics

Authorized Distributor

Click to View Pricing, Inventory, Delivery & Lifecycle Information:

Citizen:

[CMJ206T-32.768KDZF-UT](#) [CMJ206T-32.768KDZB-UT](#) [CMJ206T-32.768KDZFTR](#) [CMJ206T-32.768KDZBTR](#)
[CMJ206T32768DZFT](#) [CMJ206T32768DZBT](#) [CMJ206T32768EZFT](#)