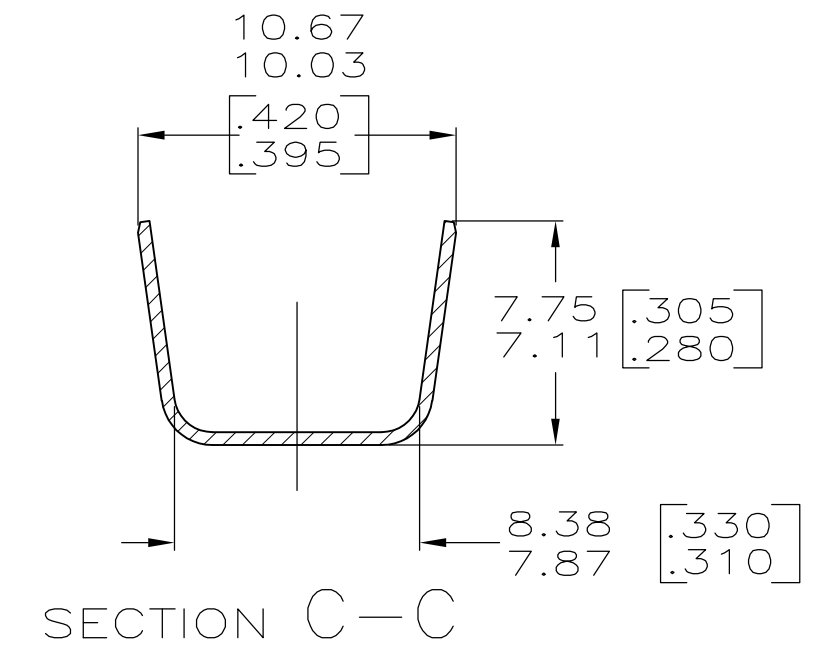
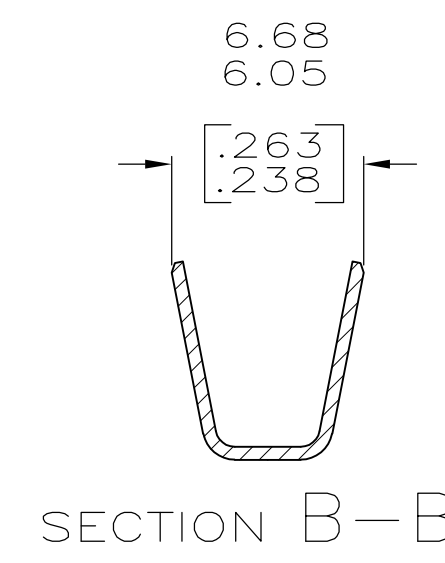
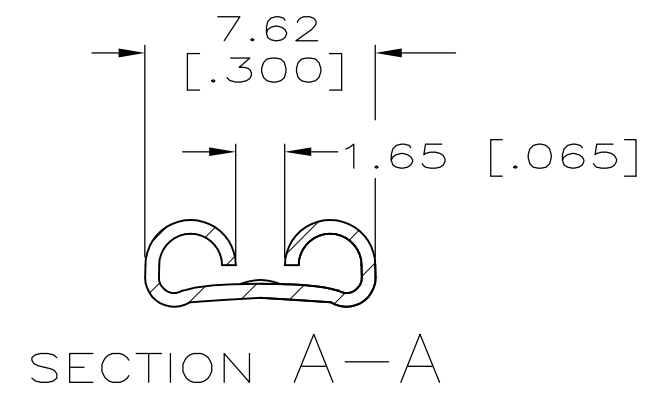
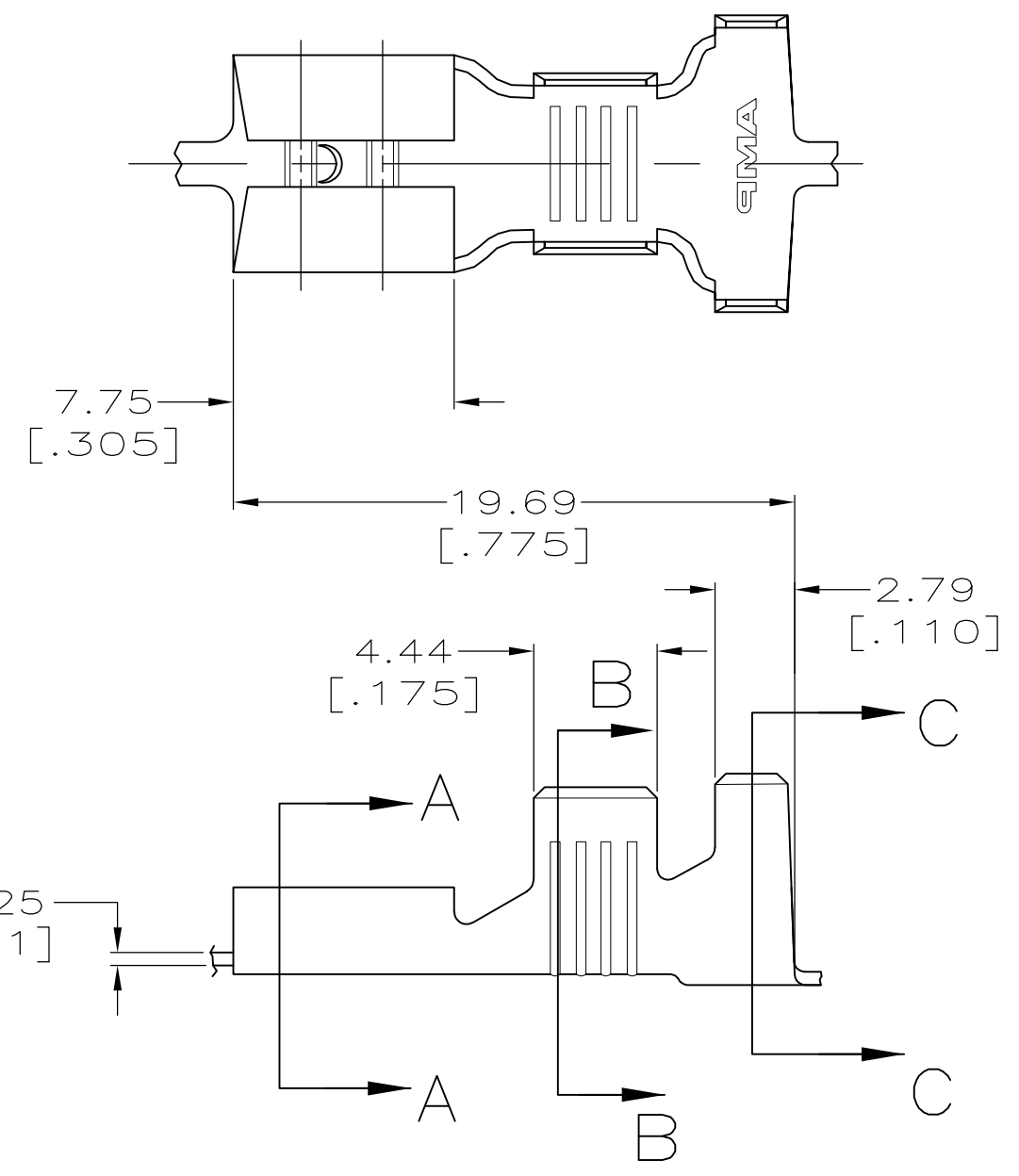


THIS DRAWING IS UNPUBLISHED. RELEASED FOR PUBLICATION  
 © COPYRIGHT BY TYCO ELECTRONICS CORPORATION. ALL INTERNATIONAL RIGHTS RESERVED.

LOC	DIST	REVISIONS					
AF	50	P	LTR	DESCRIPTION	DATE	DWN	APVD
		F1		REVISED PER ECR-10-008744	28APR10	HMR	PD

1 CONTINUOUS STRIP ON REELS.



TIN	[.230-.280 OR (2) .160] 5.84-7.11 OR (2) 4.06	[#10-#8] OR (2) {#12's}	0.813±0.025 [.032±.001]	62998-2
FINISH	INSULATION RANGE	WIRE SIZE	MATING TAB THICKNESS	PART NO

THIS DRAWING IS A CONTROLLED DOCUMENT.		DWN JR RUTH 3/15/95	Tyco Electronics Corporation Harrisburg, PA 17105-3608	
DIMENSIONS: INCHES		CHK MS FEHER 3/15/95	RECEPTACLE, FASTON, 6.35 [.250] SERIES	
TOLERANCES UNLESS OTHERWISE SPECIFIED:		APVD - 3/15/95 P DESANTIS	NAME	
0 PLC ± -		PRODUCT SPEC - 3/15/95 R REINER	SIZE CAGE CODE DRAWING NO RESTRICTED TO	
1 PLC ± -		APPLICATION SPEC -	A3 00779 C-62998	
2 PLC ± 0.38 [.015]		114-2036	SCALE 4:1 SHEET 1 OF 1 REV F1	
3 PLC ± -		WEIGHT -		
4 PLC ± -		CUSTOMER DRAWING		
ANGLES ± -				
FINISH SEE TABLE				
MATERIAL H04 BRASS				