



MINIATURE  
RELAYS  
HR502C

Product designation

Product type designation

**Contact characteristics**

Contact configuration			2 C/O
Rated insulation voltage $U_i$ IEC/EN	V		250
Rated impulse withstand voltage $U_{imp}$	kV		6
IEC Conventional free air thermal current $I_{th}$	A		8
Maximum instantaneous current	A		10
Rated current ( $I_n$ )	A		8
Relay control voltage	V		230VAC
Max contrrollable power in			

AC-1	W	2000
AC-15	VA	150

Rated operating power AC-1

VA	2000
----	------

Rated operating power AC-15

230 VAC	VA	150
---------	----	-----

Rated operating current DC-1

30V	A	8
110V	A	0.3
220V	A	0.1

Minimum switching load

V / mA	5 / 100
--------	---------

Contact impedance

m $\Omega$	100
------------	-----

Contact material

Ag/Ni
-------

**Operating times**

Closing

ms	<15
----	-----

Opening

ms	<15
----	-----

**Operations**

Mechanical life

cycles	10000000
--------	----------

Electrical life AC1

cycles	20000
--------	-------

**Coil characteristics**

Average coil consumption AC at 20°C

VA	1
----	---

Average coil consumption DC at 20°C

W	0.4
---	-----

Operating range

Closing	% $U_n$	70...110
Opening	% $U_n$	20...55

Maximum cycle frequency

cycles/h	3600
----------	------

**Mechanical features**

Max socket terminal tightening torque

Nm	0.6
----	-----

Socket screw tightening tool (cross / flat blade)

PH1 / 4.5mm
-------------

Conductor section

AWG/Kcmil

min	20
max	14

IEC	min	mm <sup>2</sup>	0.5
	max	mm <sup>2</sup>	2.5
Operating position	normal	Any	
Fixing	On 35mm DIN rail and with screw		

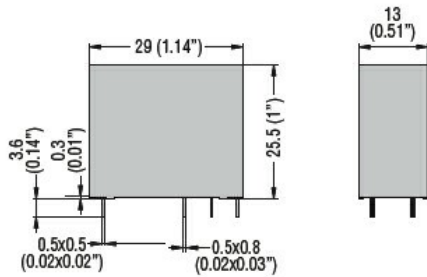
**Ambient conditions**

Temperature	Operating temperature	min	°C	-40
		max	°C	+70
	Storage temperature	min	°C	-40
		max	°C	+85

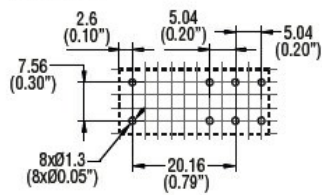
**Other features**

Indication	Yes
Mechanical contact position indicator	Yes
Mechanical test actuator	Yes

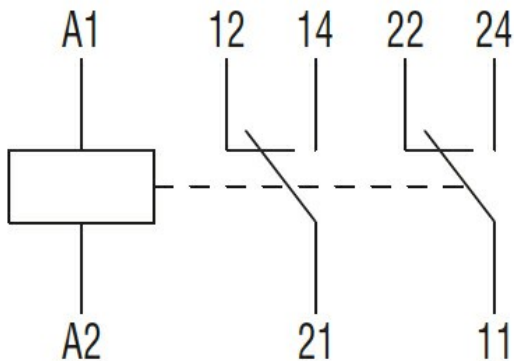
**Dimensions**



PCB layout



**Wiring diagrams**



**Certifications and compliance**

Compliance	IEC/EN 61810
------------	--------------

---

Certificates

CSA

---

cURus

---

EAC

---

VDE

**ETIM classification**

ETIM 8.0

EC001437 -  
Switching relay