

ISL91127

High Efficiency Buck-Boost Regulator with 4.5A Switches

FN8418
Rev 4.00
May 24, 2018

The [ISL91127](#) is a high-current, buck-boost switching regulator for systems using new battery chemistries. It uses the Renesas proprietary buck-boost algorithm to maintain voltage regulation while providing excellent efficiency and very low output voltage ripple when the input voltage is close to the output voltage.

The ISL91127 can deliver at least 2.1A continuous output current ($V_{OUT} = 3.3V$) across a battery voltage range of 2.5V to 4.35V. This maximizes the energy utilization of advanced, single-cell Li-ion battery chemistries that have significant capacity left at voltages below the system voltage. Its fully synchronous low ON-resistance 4-switch architecture and a low quiescent current of only 30 μ A optimize efficiency under all load conditions.

The ISL91127 supports stand-alone applications with a fixed 3.3V or 3.5V output voltage or adjustable output voltage with an external resistor divider. Output voltages as low as 1V or as high as 5.2V are supported.

The ISL91127 is available in a 20 bump, 0.4mm pitch WLCSP (2.15mmx1.74mm) with a 2.5MHz switching frequency, which further reduces the size of external components.

Related Literature

For a full list of related documents, visit our website

- [ISL91127](#) product page

Features

- Accepts input voltages above or below regulated output voltage
- Automatic and seamless transitions between Buck and Boost modes
- Input voltage range: 1.8V to 5.5V
- Continuous output current: up to 2.1A ($P_{VIN} = 2.5V$, $V_{OUT} = 3.3V$)
- High efficiency: up to 96%
- 30 μ A quiescent current maximizes light-load efficiency
- 2.5MHz switching frequency minimizes external component size
- Fully protected for short-circuit, over-temperature, and undervoltage
- Small 2.15mmx1.74mm WLCSP

Applications

- Brownout-free system voltage for smartphones and tablet PCs
- Wireless communication devices
- 2G/3G/4G RF power amplifiers

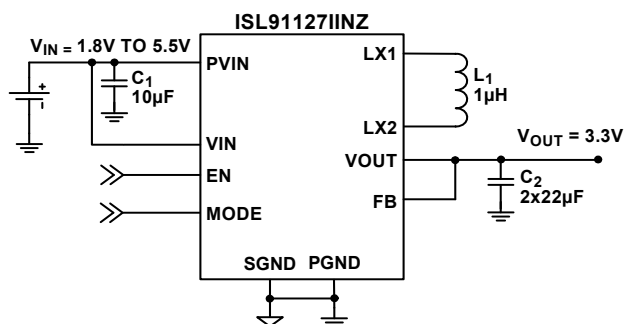


FIGURE 1. TYPICAL APPLICATION: $V_{OUT} = 3.3V$

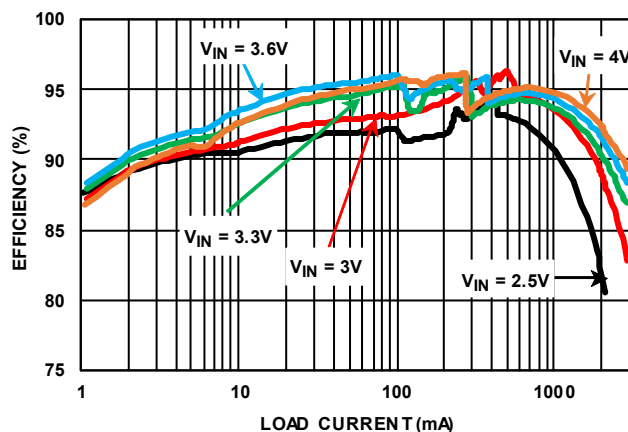


FIGURE 2. EFFICIENCY: $V_{OUT} = 3.3V$

Block Diagram

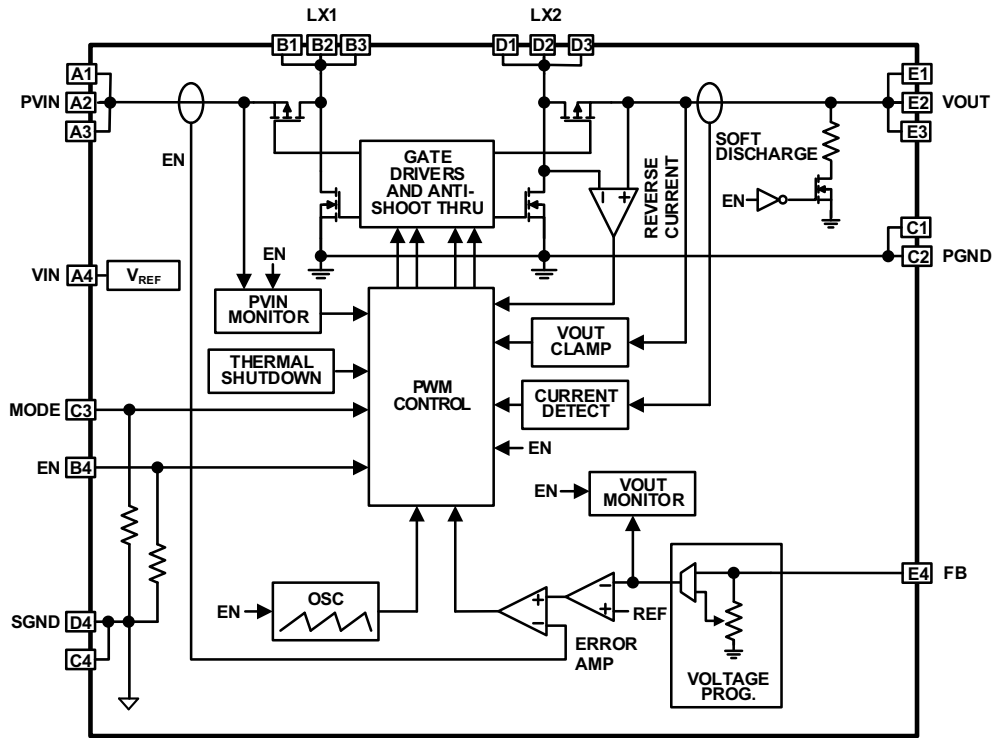
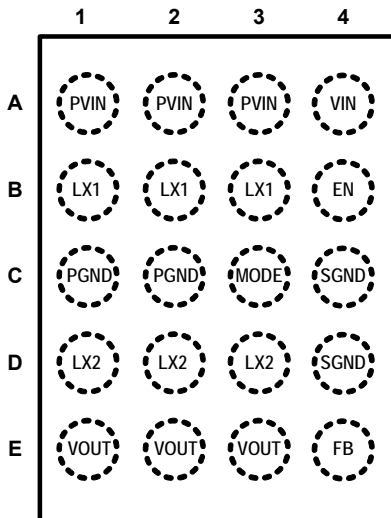


FIGURE 3. BLOCK DIAGRAM

Pin Configuration

ISL91127
(20 BALL WLCSP, 0.4mm PITCH)
TOP VIEW, BUMPS DOWN



Pin Descriptions

| PIN # | PIN NAMES | DESCRIPTION |
|------------|-----------|--|
| A1, A2, A3 | PVIN | Power input. Range: 1.8V to 5.5V. Connect 2x10µF capacitors to PGND. |
| B1, B2, B3 | LX1 | Inductor connection, input side |
| C1, C2 | PGND | Power ground for high switching current |
| D1, D2, D3 | LX2 | Inductor connection, output side |
| E1, E2, E3 | VOUT | Buck-boost regulator output. Connect 2x22µF capacitors to PGND. |
| C3 | MODE | Logic input, HIGH for auto PFM mode. LOW for forced PWM operation. |
| A4 | VIN | Supply input. Range: 1.8V to 5.5V. |
| B4 | EN | Logic input, drive HIGH to enable device. |
| C4, D4 | SGND | Analog ground pin |
| E4 | FB | Voltage feedback pin |

Ordering Information

| PART NUMBER (Notes 2, 3) | PART MARKING | OUTPUT VOLTAGE (V) | TEMP RANGE (°C) | TAPE AND REEL (UNITS) (Note 1) | PACKAGE (RoHS COMPLIANT) | PKG. DWG. # |
|-----------------------------|------------------------------------|-----------------------|--------------------|-----------------------------------|-----------------------------|----------------|
| ISL91127IINZ-T | GAXU | 3.3 | -40 to +85 | 3k | 20 Ball WLCSP | W4x5.20M |
| ISL91127IINZ-T7A | GAXU | 3.3 | -40 to +85 | 250 | 20 Ball WLCSP | W4x5.20M |
| ISL91127II2AZ-T | GAXV | 3.5 | -40 to +85 | 3k | 20 Ball WLCSP | W4x5.20M |
| ISL91127II2AZ-T7A | GAXV | 3.5 | -40 to +85 | 250 | 20 Ball WLCSP | W4x5.20M |
| ISL91127IIAZ-T | GAXT | ADJ | -40 to +85 | 3k | 20 Ball WLCSP | W4x5.20M |
| ISL91127IIAZ-T7A | GAXT | ADJ | -40 to +85 | 250 | 20 Ball WLCSP | W4x5.20M |
| ISL91127IIN-EVZ | Evaluation Board for ISL91127IINZ | | | | | |
| ISL91127II2A-EVZ | Evaluation Board for ISL91127II2AZ | | | | | |
| ISL91127IIA-EVZ | Evaluation Board for ISL91127IIAZ | | | | | |

NOTES:

1. Refer to [TB347](#) for details about reel specifications.
2. These Pb-free WLCSP packaged products employ special Pb-free material sets; molding compounds/die attach materials and SnAgCu - e1 solder ball terminals, which are RoHS compliant and compatible with both SnPb and Pb-free soldering operations. Pb-free WLCSP packaged products are MSL classified at Pb-free peak reflow temperatures that meet or exceed the Pb-free requirements of IPC/JEDEC J STD-020.
3. For Moisture Sensitivity Level (MSL), see the [ISL91127](#) product information page. For more information about MSL, see [TB363](#).

TABLE 1. KEY DIFFERENCES BETWEEN FAMILY OF PARTS

| PART NUMBER | BUCK-BOOST REGULATION | BYPASS | DYNAMIC VOLTAGE SCALING | i ² C | PACKAGE |
|-------------|--------------------------|--------|----------------------------|------------------|---------|
| ISL91127 | Yes | No | No | No | WLCSP |
| ISL91127IR | Yes | No | No | No | QFN |
| ISL91128 | Yes | Yes | Yes | Yes | WLCSP |

NOTE: For the full family of ISL911xx buck-boost regulators, please visit our [website](#).

Absolute Maximum Ratings

| | |
|--|-------------------------------------|
| PVIN, VIN | -0.3V to 6.5V |
| LX1, LX2 | -0.3V to 6.5VDC, -2V to 7V for 10ns |
| FB (Adjustable Version) | -0.3V to 2.7V |
| FB (Fixed V _{OUT} Versions) | -0.3V to 6.5V |
| GND, PGND | -0.3V to 0.3V |
| All Other Pins | -0.3V to 6.5V |
| ESD Rating | |
| Human Body Model (Tested per JS-001-2010) | 2.5kV |
| Machine Model (Tested per JESD22-A115C) | 250V |
| Charged Device Model (Tested per JS-002-2014) | 1kV |
| Latch-Up (Tested per JESD-78D; Class 2, Level A) | 100mA |

Thermal Information

| | | |
|------------------------------------|---------------------------|----------------------|
| Thermal Resistance (Typical) | θ_{JA} (°C/W) | θ_{JB} (°C/W) |
| 20 Ball WLCSP Package (Notes 4, 5) | 72 | 16 |
| Maximum Junction Temperature | +125°C | |
| Storage Temperature Range | -65°C to +150°C | |
| Pb-Free Reflow Profile | see TB493 | |

Recommended Operating Conditions

| | |
|--|----------------|
| Ambient Temperature Range | -40°C to +85°C |
| Supply Voltage Range | 1.8V to 5.5V |
| Maximum Load Current | |
| V _{IN} = 2.5V V _{OUT} = 3.3V | 2.1ADC |

CAUTION: Do not operate at or near the maximum ratings listed for extended periods of time. Exposure to such conditions may adversely impact product reliability and result in failures not covered by warranty.

NOTES:

- θ_{JA} is measured in free air with the component mounted on a high-effective thermal conductivity test board with "direct attach" features. See [TB379](#).
- For θ_{JB} , the board temp is taken on the board near the edge of the package, on a trace at the middle of one side. See [TB379](#).

Analog Specifications V_{IN} = V_{PVIN} = V_{EN} = 3.6V, V_{OUT} = 3.3V, L₁ = 1μH, C₁ = 2x10μF, C₂ = 2x22μF, T_A = +25°C. **Boldface limits apply across the operating temperature range, -40°C to +85°C and input voltage range (1.8V to 5.5V) unless specified otherwise.**

| PARAMETER | SYMBOL | TEST CONDITIONS | MIN (Note 6) | TYP (Note 7) | MAX (Note 6) | UNIT |
|--|---|--|-----------------|-----------------|-----------------|-------|
| POWER SUPPLY | | | | | | |
| Input Voltage Range | V _{IN} | | 1.8 | | 5.5 | V |
| V _{IN} Undervoltage Lockout Threshold | V _{UVLO} | Rising | | 1.725 | 1.795 | V |
| | | Falling | 1.550 | 1.650 | | V |
| V _{IN} Supply Current | I _{VIN} | PFM mode, 1.8V ≤ V _{IN} ≤ 5V, no external load on V _{OUT} (Note 8) | | 30 | 55 | μA |
| V _{IN} Supply Current, Shutdown | I _{SD} | EN = GND, V _{IN} = 3.6V | | 0.05 | 1.00 | μA |
| OUTPUT VOLTAGE REGULATION | | | | | | |
| Output Voltage Range | V _{OUT} | ISL91127IIAZ, I _{OUT} = 100mA, V _{IN} = 3.6V | 1.00 | | 5.20 | V |
| Output Voltage Accuracy | | V _{IN} = 3.7V, V _{OUT} = 3.3V, I _{OUT} = 0mA, PWM mode | -2 | | +2 | % |
| | | V _{IN} = 3.7V, V _{OUT} = 3.3V, I _{OUT} = 1mA, PFM mode | -3 | | +4 | % |
| FB Pin Voltage Regulation | V _{FB} | For adjustable output version, V _{IN} = 3.6V | 0.783 | 0.800 | 0.813 | V |
| FB Pin Bias Current | I _{FB} | For adjustable output version | | | 20 | nA |
| Line Regulation, PWM Mode | $\frac{\Delta V_{OUT}}{\Delta V_{IN}}$ | I _{OUT} = 500mA, V _{IN} steps from 2.8V to 5.5V | | 2.2 | | mV/V |
| Line Regulation, PFM Mode | $\frac{\Delta V_{OUT}}{\Delta V_{I}}$ | I _{OUT} = 100mA, V _{IN} steps from 2.8V to 5.5V | | 2.7 | | mV/V |
| Load Regulation | $\frac{\Delta V_{OUT}}{\Delta I_{OUT}}$ | V _{IN} = 3.7V, I _{OUT} steps from 0A to 1A | | 0.021 | | mV/mA |
| Output Voltage Clamp | V _{CLAMP} | Rising | 5.25 | | 5.95 | V |
| Output Voltage Clamp Hysteresis | | | | 400 | | mV |
| DC/DC SWITCHING SPECIFICATIONS | | | | | | |
| Oscillator Frequency | f _{SW} | | 2.10 | 2.50 | 2.90 | MHz |
| Minimum On-Time | t _{ON(MIN)} | | | 80 | | ns |
| LX1 Pin Leakage Current | I _{PFETLEAK} | V _{IN} = 3.6V | -1 | | 1 | μA |
| LX2 Pin Leakage Current | I _{NFETLEAK} | V _{IN} = 3.6V | -1 | | 1 | μA |

Analog Specifications $V_{IN} = V_{PVIN} = V_{EN} = 3.6V$, $V_{OUT} = 3.3V$, $L_1 = 1\mu H$, $C_1 = 2 \times 10\mu F$, $C_2 = 2 \times 22\mu F$, $T_A = +25^\circ C$. **Boldface limits apply across the operating temperature range, $-40^\circ C$ to $+85^\circ C$ and input voltage range (1.8V to 5.5V) unless specified otherwise. (Continued)**

| PARAMETER | SYMBOL | TEST CONDITIONS | MIN (Note 6) | TYP (Note 7) | MAX (Note 6) | UNIT |
|--|----------------|--|-----------------|-----------------|-----------------|------------|
| SOFT-START AND SOFT DISCHARGE | | | | | | |
| Soft-Start Time | t_{SS} | Time from when EN signal asserts to when output voltage ramp starts. | | 1 | | ms |
| | | Time from when output voltage ramp starts to when output voltage reaches 95% of its nominal value with device operating in Buck mode. $V_{IN} = 4V$, $V_{OUT} = 3.3V$, $I_O = 200mA$ | | 2 | | ms |
| | | Time from when output voltage ramp starts to when output voltage reaches 95% of its nominal value with device operating in Boost mode. $V_{IN} = 2V$, $V_{OUT} = 3.3V$, $I_O = 200mA$ | | 2 | | ms |
| V_{OUT} Soft Discharge ON-Resistance | r_{DISCHG} | $EN < V_{IL}$ | | 120 | | Ω |
| POWER MOSFET | | | | | | |
| P-Channel MOSFET ON-Resistance | $r_{DS(ON)_P}$ | $V_{IN} = 3.6V$, $I_O = 200mA$ | | 28 | | $m\Omega$ |
| N-Channel MOSFET ON-Resistance | $r_{DS(ON)_N}$ | $V_{IN} = 3.6V$, $I_O = 200mA$ | | 26 | | $m\Omega$ |
| P-Channel MOSFET Peak Current Limit | I_{PK_LMT} | $V_{IN} = 3.6V$ | 3.8 | 4.3 | 5.0 | A |
| PFM/PWM TRANSITION | | | | | | |
| Load Current Threshold, PFM to PWM | | $V_{IN} = 3.6V$, $V_{OUT} = 3.3V$ | | 360 | | mA |
| Load Current Threshold, PWM to PFM | | $V_{IN} = 3.6V$, $V_{OUT} = 3.3V$ | | 160 | | mA |
| Thermal Shutdown | | | | 150 | | $^\circ C$ |
| Thermal Shutdown Hysteresis | | | | 30 | | $^\circ C$ |
| LOGIC INPUTS | | | | | | |
| Input Leakage | I_{LEAK} | $V_{IN} = 3.6V$ | | 0.05 | 1 | μA |
| Input HIGH Voltage | V_{IH} | $V_{IN} = 3.6V$ | 1.4 | | | V |
| Input LOW Voltage | V_{IL} | $V_{IN} = 3.6V$ | | | 0.4 | V |

NOTES:

- Parameters with MIN and/or MAX limits are 100% tested at $+25^\circ C$, unless otherwise specified. Temperature limits established by characterization and are not production tested.
- Typical values are for $T_A = +25^\circ C$ and $V_{IN} = 3.6V$.
- Quiescent current measurements are taken when the output is not switching.

Typical Performance Curves

Unless otherwise noted, operating conditions are: $T_A = +25^\circ\text{C}$, $V_{IN} = \text{EN} = 3.6\text{V}$, $L_1 = 1\mu\text{H}$, $C_1 = 2 \times 10\mu\text{F}$, $C_2 = 2 \times 22\mu\text{F}$, $V_{OUT} = 3.3\text{V}$, $I_{OUT} = 0\text{A to } 3\text{A}$.

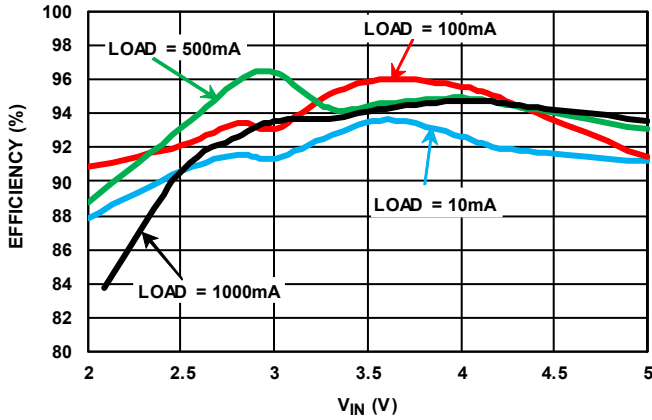


FIGURE 4. EFFICIENCY vs INPUT VOLTAGE

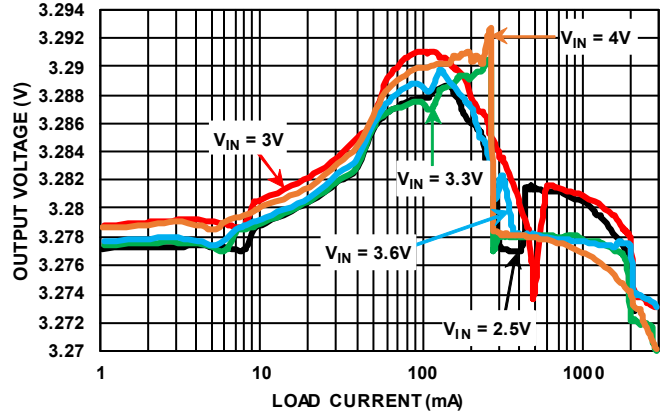


FIGURE 5. OUTPUT VOLTAGE vs LOAD CURRENT

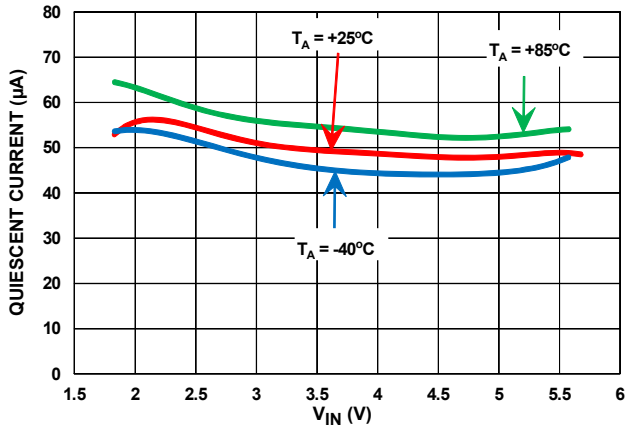


FIGURE 6. QUIESCENT CURRENT vs INPUT VOLTAGE ($V_{OUT} = 3.3\text{V}$, MODE = HIGH)

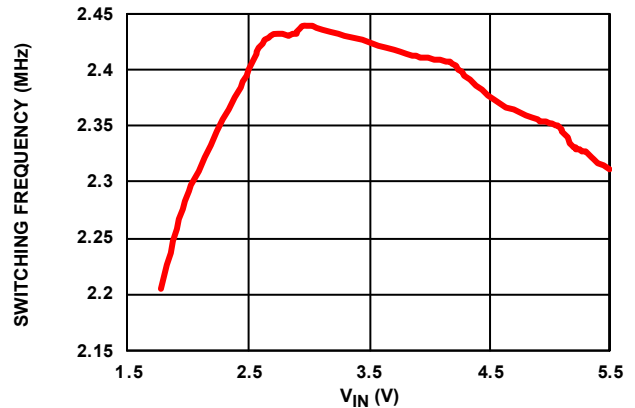


FIGURE 7. SWITCHING FREQUENCY vs INPUT VOLTAGE

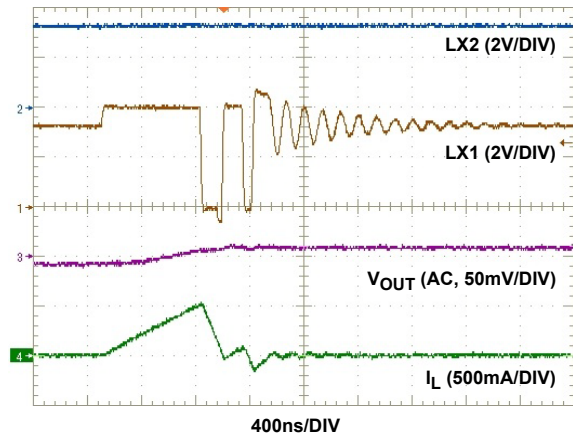


FIGURE 8. STEADY-STATE OPERATION IN PFM ($V_{IN} = 4\text{V}$, $V_{OUT} = 3.3\text{V}$, NO LOAD)

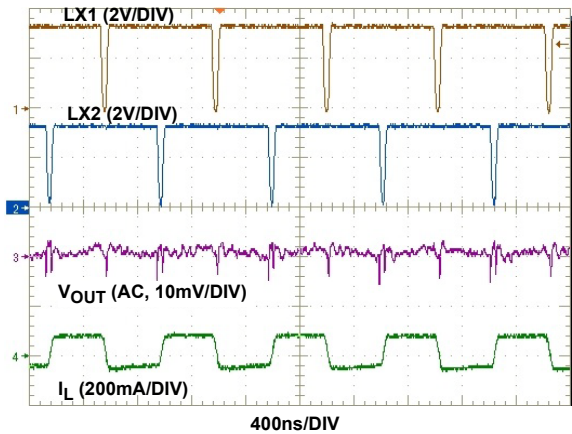


FIGURE 9. STEADY-STATE OPERATION IN PWM ($V_{IN} = 3.3\text{V}$, $V_{OUT} = 3.3\text{V}$, NO LOAD)

Typical Performance Curves

Unless otherwise noted, operating conditions are: $T_A = +25^\circ\text{C}$, $V_{IN} = EN = 3.6\text{V}$, $L_1 = 1\mu\text{H}$, $C_1 = 2 \times 10\mu\text{F}$, $C_2 = 2 \times 22\mu\text{F}$, $V_{OUT} = 3.3\text{V}$, $I_{OUT} = 0\text{A to } 3\text{A}$. (Continued)

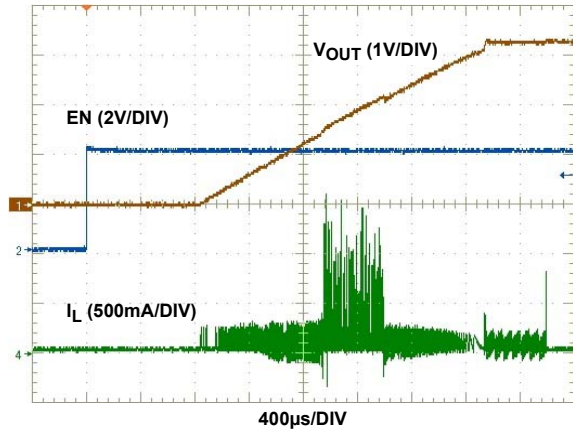


FIGURE 10. SOFT-START ($V_{IN} = 3.6\text{V}$, $V_{OUT} = 3.3\text{V}$, NO LOAD)

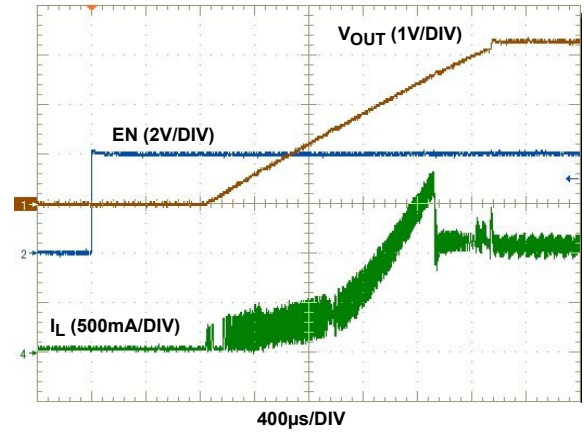


FIGURE 11. SOFT-START ($V_{IN} = 3.6\text{V}$, $V_{OUT} = 3.3\text{V}$, 1A LOAD)

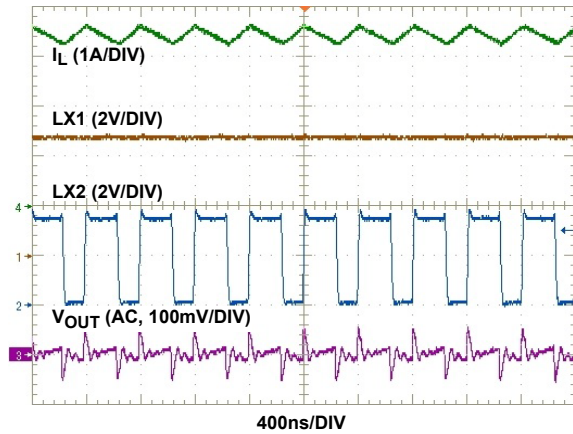


FIGURE 12. STEADY-STATE OPERATION ($V_{IN} = 2.5\text{V}$, $V_{OUT} = 3.3\text{V}$, 2A LOAD)

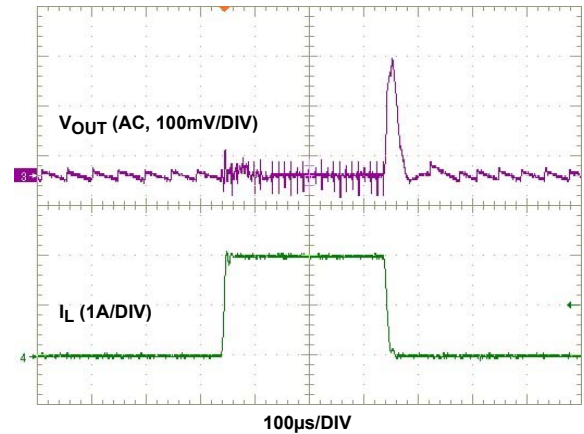


FIGURE 13. 0A TO 2A LOAD TRANSIENT ($V_{IN} = 3.6\text{V}$, $V_{OUT} = 3.3\text{V}$)

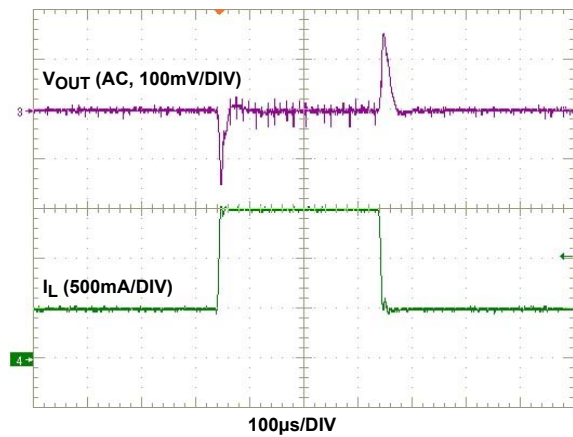


FIGURE 14. 0.5A TO 1.5A LOAD TRANSIENT ($V_{IN} = 3.6\text{V}$, $V_{OUT} = 3.3\text{V}$)

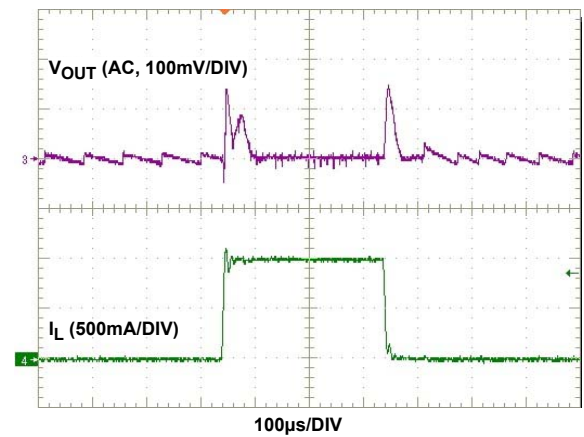


FIGURE 15. 0A TO 1A LOAD TRANSIENT ($V_{IN} = 3.6\text{V}$, $V_{OUT} = 3.3\text{V}$)

Typical Performance Curves

Unless otherwise noted, operating conditions are: $T_A = +25^\circ\text{C}$, $V_{IN} = EN = 3.6\text{V}$, $L_1 = 1\mu\text{H}$, $C_1 = 2 \times 10\mu\text{F}$, $C_2 = 2 \times 22\mu\text{F}$, $V_{OUT} = 3.3\text{V}$, $I_{OUT} = 0\text{A to } 3\text{A}$. (Continued)

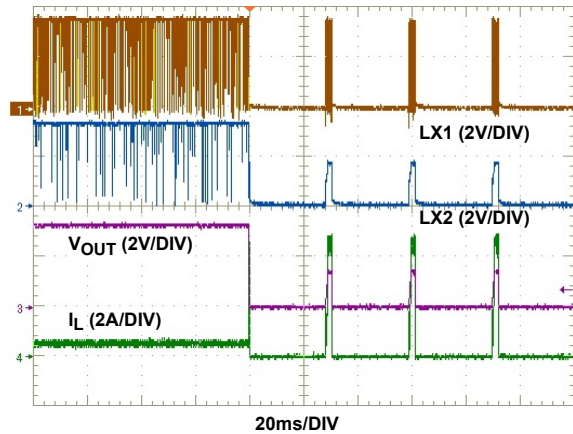


FIGURE 16. OUTPUT SHORT-CIRCUIT BEHAVIOR ($V_{IN} = 3.6\text{V}$, $V_{OUT} = 3.3\text{V}$)

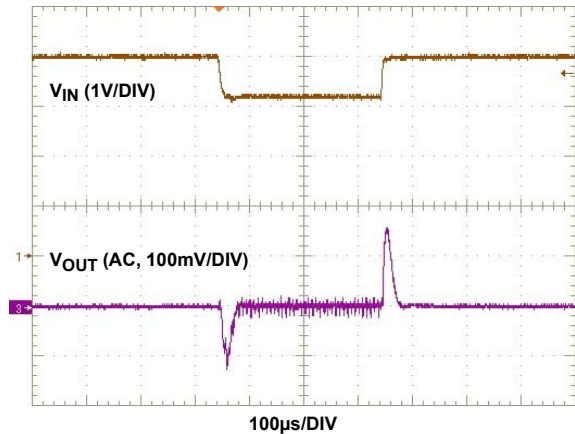


FIGURE 17. 4V TO 3.2V LINE TRANSIENT ($V_{OUT} = 3.3\text{V}$, LOAD = 1A)

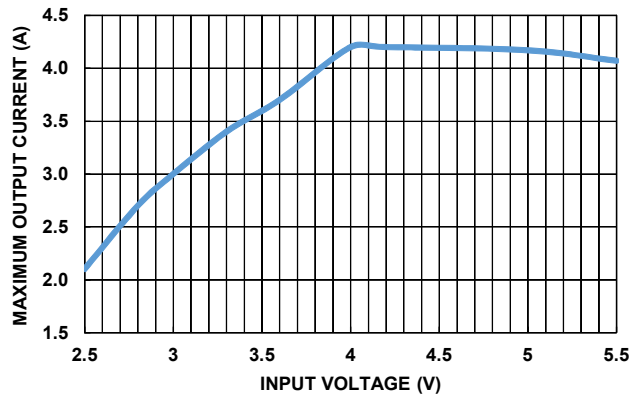


FIGURE 18. OUTPUT CURRENT CAPABILITY: $V_{OUT} = 3.3\text{V}$, $T_A = +25^\circ\text{C}$

Functional Description

Functional Overview

The ISL91127 implements a complete buck-boost switching regulator with PWM controller, internal switches, references, protection circuitry, and control inputs. Refer to the [“Block Diagram” on page 2](#)

The PWM controller automatically switches between Buck and Boost modes as necessary to maintain a steady output voltage with changing input voltages and dynamic external loads.

Internal Supply and References

Referring to the [“Block Diagram”](#), the ISL91127 provides three PVIN power input pins. The PVIN pins supply input power to the DC/DC converter. An additional VIN pin provides an operating voltage source required for stable V_{REF} generation. Separate ground pins (PGND and SGND) are provided to avoid problems caused by ground shift due to the high switching currents.

Enable Input

Enable the device by asserting the EN pin HIGH. Driving EN LOW invokes a power-down mode, in which most internal device functions are disabled.

Soft Discharge

When the device is disabled by driving EN LOW, an internal resistor between VOUT and GND is activated to slowly discharge the output capacitor. This internal resistor has a typical 120Ω resistance.

POR Sequence and Soft-Start

Asserting the EN pin HIGH allows the device to power up. The following events occur during the start-up sequence: The internal voltage reference powers up and stabilizes. The device then starts operating. There is a typical 1ms delay between assertion of the EN pin and the start of the switching regulator soft-start ramp.

The soft-start feature minimizes output voltage overshoot and input inrush currents. During soft-start, the reference voltage is ramped to provide a ramping V_{OUT} voltage. While the output voltage is lower than approximately 20% of the target output

voltage, switching frequency is reduced to a fraction of the normal switching frequency to aid in producing low duty cycles necessary to avoid input inrush current spikes. When the output voltage exceeds 20% of the target voltage, the switching frequency is increased to its nominal value.

When the target output voltage is higher than the input voltage, the device transitions from Buck mode to Boost mode during the soft-start sequence. At the time of this transition, the ramp rate of the reference voltage is decreased, such that the output voltage slew rate is decreased. This provides a slower output voltage slew rate.

The V_{OUT} ramp time is not constant for all operating conditions. Soft-start into Boost mode takes longer than soft-start into Buck mode. The total soft-start time into Buck operating mode is typically 2ms, whereas the typical soft-start time into Boost operating mode is typically 3ms. Increasing the load current increases these typical soft-start times.

Short-Circuit Protection

The ISL91127 provides short-circuit protection by monitoring the feedback voltage. When feedback voltage is sensed to be lower than a certain threshold, the PWM oscillator frequency is reduced in order to protect the device from damage. The P-channel MOSFET peak current limit remains active during this state.

Thermal Shutdown

A built-in thermal protection feature protects the ISL91127 if the die temperature reaches +155°C (typical). At this die temperature, the regulator is completely shut down. The die temperature continues to be monitored in this thermal shutdown mode. When the die temperature falls to +125°C (typical), the device will resume normal operation. When exiting thermal shutdown, the ISL91127 will execute its soft-start sequence.

Buck-Boost Conversion Topology

The ISL91127 operates in either Buck or Boost mode. When operating in conditions where P_{VIN} is close to V_{OUT} , the ISL91127 alternates between Buck and Boost modes as necessary to provide a regulated output voltage.

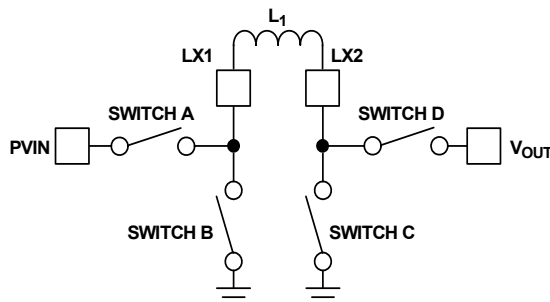


FIGURE 19. BUCK-BOOST TOPOLOGY

Figure 19 shows a simplified diagram of the internal switches and external inductor.

PWM Operation

During PWM operation in Buck mode, Switch D is continuously closed and Switch C is continuously open. Switches A and B operate as a synchronous buck converter when in this mode.

During PWM operation in Boost mode, Switch A remains closed and Switch B remains open. Switches C and D operate as a synchronous boost converter when in this mode.

PFM Operation

During PFM operation in Buck mode, Switch D is continuously closed and Switch C is continuously open. Switches A and B operate in discontinuous mode during PFM operation. During PFM operation in Boost mode, the ISL91127 closes Switch A and Switch C to ramp up the current in the inductor. When the inductor current reaches a certain threshold, the device turns off Switches A and C, then turns on Switches B and D. With Switches B and D closed, output voltage increases as the inductor current ramps down.

In most operating conditions, there will be multiple PFM pulses to charge up the output capacitor. These pulses continue until V_{OUT} has achieved the upper threshold of the PFM hysteretic controller. Switching then stops, and remains stopped until V_{OUT} decays to the lower threshold of the hysteretic PFM controller.

Operation with V_{IN} Close to V_{OUT}

When the output voltage is close to the input voltage, the ISL91127 rapidly and smoothly switches from Boost to Buck mode as needed to maintain the regulated output voltage. This behavior provides excellent efficiency and very low output voltage ripple.

Output Voltage Programming

The ISL91127 is available in fixed and adjustable output voltage versions. To use the fixed output version, the V_{OUT} pin must be connected directly to FB.

In the adjustable output voltage version (ISL91127IIAZ), an external resistor divider is required to program the output voltage. The FB pin has very low input leakage current, so it is possible to use large value resistors (for example, $R_1 = 1M\Omega$ and $R_2 = 324k\Omega$ for $V_{OUT} = 3.3V$) in the resistor divider connected to the FB input.

Applications Information

Component Selection

The fixed-output version of the ISL91127 requires only three external power components to implement the buck-boost converter: an inductor, an input capacitor, and an output capacitor.

The adjustable output version of the ISL91127 requires three additional components to program the output voltage, as shown in [Figure 19](#). Two external resistors program the output voltage and a small capacitor is added to improve stability and response.

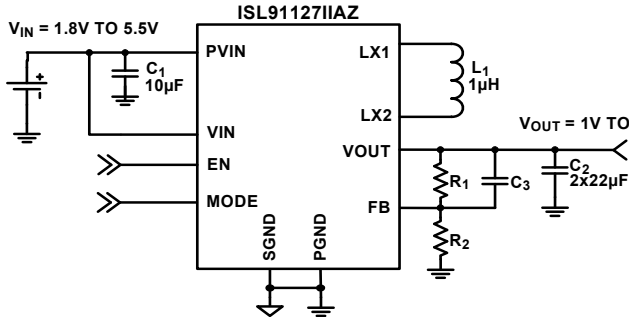


FIGURE 20. ADJUSTABLE OUTPUT APPLICATION

Output Voltage Programming, Adjustable Version

When VREF is connected to GND, select the external resistor values to set and control the output voltage of the ISL91127IIAZ (adjustable output version).

[Equation 1](#) can be used to derive the R_1 and R_2 resistor values:

$$V_{OUT} = 0.8V \cdot \left(1 + \frac{R_1}{R_2}\right) \quad (\text{EQ. 1})$$

When designing a PCB, include a GND guard band around the feedback resistor network to reduce noise and improve accuracy and stability. Position resistors R_1 and R_2 close to the FB pin.

TABLE 3. INDUCTOR VENDOR INFORMATION

| MANUFACTURER | MANUFACTURER PART NUMBER | DESCRIPTION | DIMENSION (mm) | WEBSITE |
|--------------|--------------------------|--|----------------|--|
| Toko | 1277AS-H-1R0M | 1µH, 20%, DCR = 34mΩ (typical), I_{SAT} = 4.6A (typical) | 3.2x2.5x1.2 | www.toko.com |
| | FDSD0312-H-1R0M | 1µH, 20%, DCR = 43mΩ (typical), I_{SAT} = 4.5A (typical) | 3.2x3.0x1.2 | |
| Coilcraft | XFL4020-102ME | 1µH, 20%, DCR = 11mΩ (typical), I_{SAT} = 5.1A (typical) | 4.0x4.0x2.1 | www.coilcraft.com |

Feed-Forward Capacitor Selection

A small capacitor (C_3 in [Figure 19](#)) in parallel with resistor R_1 is required to provide the specified load and line regulation. The suggested value of this capacitor is 56pF for $R_1 = 1M\Omega$. An NPO type capacitor is recommended.

Inductor Selection

Use an inductor with high frequency core material (for example, ferrite core) to minimize core losses and provide good efficiency. The inductor must be able to handle the peak switching currents without saturating.

A 1µH inductor with $\geq 4A$ saturation current rating is recommended. Select an inductor with low DCR to provide good efficiency. In applications where radiated noise must be minimized, a toroidal or shielded inductor can be used (refer to [Table 3](#)).

PVIN and VOUT Capacitor Selection

The input and output capacitors should be ceramic X5R type with low ESL and ESR. The recommended input capacitor value is 10µF. The recommended V_{OUT} capacitor value is 2x22µF.

TABLE 2. CAPACITOR VENDOR INFORMATION

| MANUFACTURER | PN | DESCRIPTION |
|--------------|---------------------|----------------------|
| Murata | GRM188R61A226ME15D | 22µF, 0603, 10V, X5R |
| TDK | C1608X5R1A226M080AC | 22µF, 0603, 10V, X5R |

Recommended PCB Layout

Correct PCB layout is critical for proper operation of the ISL91127. Place the input and output capacitors as close to the IC as possible. The ground connections of the input and output capacitors should be kept as short as possible and should be on the component layer to avoid problems that are caused by high switching currents flowing through PCB vias.

Revision History The revision history provided is for informational purposes only and is believed to be accurate, however, not warranted. Please visit to web to make sure you have the latest revision.

| DATE | REVISION | CHANGE |
|--------------|----------|--|
| May 24, 2018 | FN8418.4 | Removed About Intersil section. Updated Disclaimer and moved to page 13. |
| Jan 5, 2017 | FN8418.3 | Updated Related Literature section on page 1. Updated Table 1 on page 3. - changed "VSEL" column to "Dynamic Voltage Scaling" and made ISL91128 parameter "Yes". - removed "and DVS" from I2C column. |
| Aug 9, 2016 | FN8418.2 | Removed burst current features bullet on page 1. Updated Table 1 on page 3. Removed " $V_{IN} = 3.0V$ $V_{OUT} = 3.3V$, $t_{ON} = 600\mu s$, $t = 4.6ms...3A$ " from the "Recommended Operating Conditions" on page 4. |
| Jul 15, 2016 | FN8418.1 | Updated 2 feature bullets to clarify statement. Updated Table 1 on page 3. Updated test conditions for V_{IN} supply current page 4 from "PFM mode, no external load on V_{OUT} " to "PFM mode, $1.8V \leq V_{IN} \leq 5V$, no external load on". Updated "P-Channel MOSFET ON-Resistance" typical from 35 to 28 and "N-Channel MOSFET ON-Resistance" typical from 24 to 26 typical. Added Figure 18, "OUTPUT CURRENT CAPABILITY" to typical Performance Curves" on page 8. |
| Apr 5, 2016 | FN8418.0 | Initial Release |

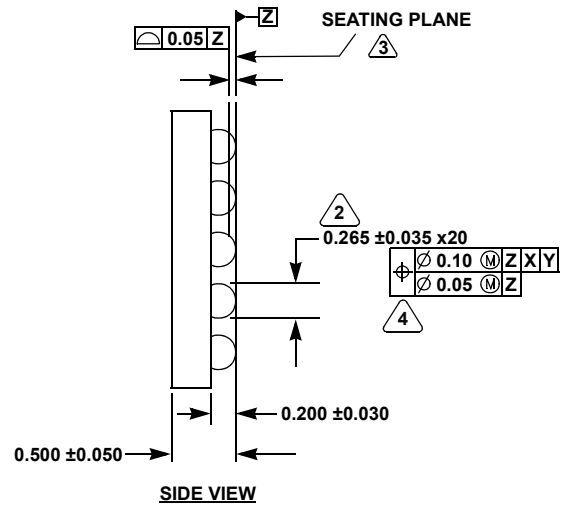
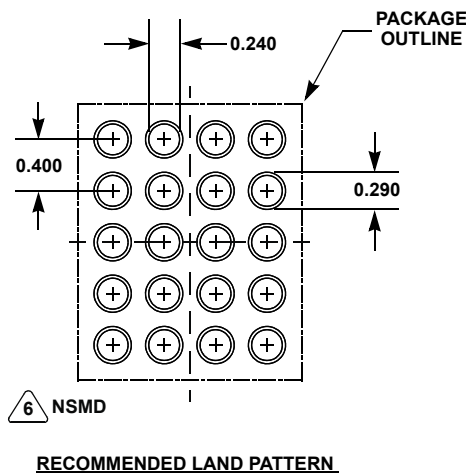
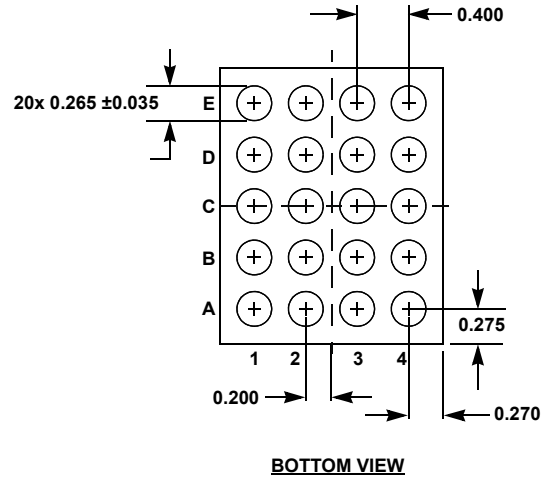
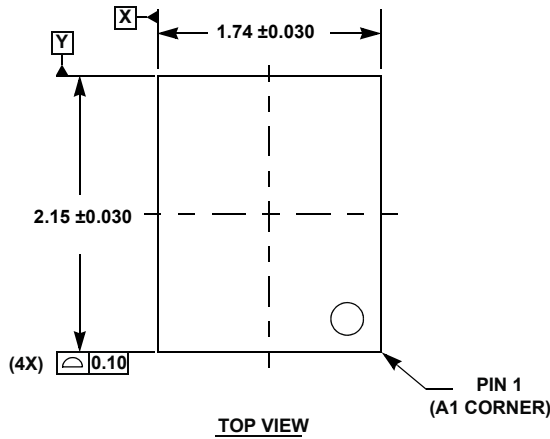
Package Outline Drawing

W4x5.20M

20 BALL WAFER LEVEL CHIP SCALE PACKAGE (WLCSP 0.4mm PITCH)

Rev 0, 01/15

For the most recent package outline drawing, see [W4x5.20M](#).



NOTES:

1. Dimensions and tolerance per ASMEY 14.5 - 1994.
2. Dimension is measured at the maximum bump diameter parallel to primary datum Z.
3. Primary datum Z and seating plane are defined by the spherical crowns of the bump.
4. Bump position designation per JESD 95-1, SPP-010.
5. All dimensions are in millimeters.
6. NSMD refers to non-solder mask defined pad design per Intersil Techbrief [TB451](#).

Notice

1. Descriptions of circuits, software and other related information in this document are provided only to illustrate the operation of semiconductor products and application examples. You are fully responsible for the incorporation or any other use of the circuits, software, and information in the design of your product or system. Renesas Electronics disclaims any and all liability for any losses and damages incurred by you or third parties arising from the use of these circuits, software, or information.
2. Renesas Electronics hereby expressly disclaims any warranties against and liability for infringement or any other claims involving patents, copyrights, or other intellectual property rights of third parties, by or arising from the use of Renesas Electronics products or technical information described in this document, including but not limited to, the product data, drawings, charts, programs, algorithms, and application examples.
3. No license, express, implied or otherwise, is granted hereby under any patents, copyrights or other intellectual property rights of Renesas Electronics or others.
4. You shall not alter, modify, copy, or reverse engineer any Renesas Electronics product, whether in whole or in part. Renesas Electronics disclaims any and all liability for any losses or damages incurred by you or third parties arising from such alteration, modification, copying or reverse engineering.
5. Renesas Electronics products are classified according to the following two quality grades: "Standard" and "High Quality". The intended applications for each Renesas Electronics product depends on the product's quality grade, as indicated below.
"Standard": Computers; office equipment; communications equipment; test and measurement equipment; audio and visual equipment; home electronic appliances; machine tools; personal electronic equipment; industrial robots; etc.
"High Quality": Transportation equipment (automobiles, trains, ships, etc.); traffic control (traffic lights); large-scale communication equipment; key financial terminal systems; safety control equipment; etc.
Unless expressly designated as a high reliability product or a product for harsh environments in a Renesas Electronics data sheet or other Renesas Electronics document, Renesas Electronics products are not intended or authorized for use in products or systems that may pose a direct threat to human life or bodily injury (artificial life support devices or systems; surgical implantations; etc.), or may cause serious property damage (space system; undersea repeaters; nuclear power control systems; aircraft control systems; key plant systems; military equipment; etc.). Renesas Electronics disclaims any and all liability for any damages or losses incurred by you or any third parties arising from the use of any Renesas Electronics product that is inconsistent with any Renesas Electronics data sheet, user's manual or other Renesas Electronics document.
6. When using Renesas Electronics products, refer to the latest product information (data sheets, user's manuals, application notes, "General Notes for Handling and Using Semiconductor Devices" in the reliability handbook, etc.), and ensure that usage conditions are within the ranges specified by Renesas Electronics with respect to maximum ratings, operating power supply voltage range, heat dissipation characteristics, installation, etc. Renesas Electronics disclaims any and all liability for any malfunctions, failure or accident arising out of the use of Renesas Electronics products outside of such specified ranges.
7. Although Renesas Electronics endeavors to improve the quality and reliability of Renesas Electronics products, semiconductor products have specific characteristics, such as the occurrence of failure at a certain rate and malfunctions under certain use conditions. Unless designated as a high reliability product or a product for harsh environments in a Renesas Electronics data sheet or other Renesas Electronics document, Renesas Electronics products are not subject to radiation resistance design. You are responsible for implementing safety measures to guard against the possibility of bodily injury, injury or damage caused by fire, and/or danger to the public in the event of a failure or malfunction of Renesas Electronics products, such as safety design for hardware and software, including but not limited to redundancy, fire control and malfunction prevention, appropriate treatment for aging degradation or any other appropriate measures. Because the evaluation of microcomputer software alone is very difficult and impractical, you are responsible for evaluating the safety of the final products or systems manufactured by you.
8. Please contact a Renesas Electronics sales office for details as to environmental matters such as the environmental compatibility of each Renesas Electronics product. You are responsible for carefully and sufficiently investigating applicable laws and regulations that regulate the inclusion or use of controlled substances, including without limitation, the EU RoHS Directive, and using Renesas Electronics products in compliance with all these applicable laws and regulations. Renesas Electronics disclaims any and all liability for damages or losses occurring as a result of your noncompliance with applicable laws and regulations.
9. Renesas Electronics products and technologies shall not be used for or incorporated into any products or systems whose manufacture, use, or sale is prohibited under any applicable domestic or foreign laws or regulations. You shall comply with any applicable export control laws and regulations promulgated and administered by the governments of any countries asserting jurisdiction over the parties or transactions.
10. It is the responsibility of the buyer or distributor of Renesas Electronics products, or any other party who distributes, disposes of, or otherwise sells or transfers the product to a third party, to notify such third party in advance of the contents and conditions set forth in this document.
11. This document shall not be reprinted, reproduced or duplicated in any form, in whole or in part, without prior written consent of Renesas Electronics.
12. Please contact a Renesas Electronics sales office if you have any questions regarding the information contained in this document or Renesas Electronics products.
(Note 1) "Renesas Electronics" as used in this document means Renesas Electronics Corporation and also includes its directly or indirectly controlled subsidiaries.
(Note 2) "Renesas Electronics product(s)" means any product developed or manufactured by or for Renesas Electronics.

(Rev.4.0-1 November 2017)



SALES OFFICES

Renesas Electronics Corporation

<http://www.renesas.com>

Refer to "<http://www.renesas.com/>" for the latest and detailed information.

Renesas Electronics America Inc.
1001 Murphy Ranch Road, Milpitas, CA 95035, U.S.A.
Tel: +1-408-432-8888, Fax: +1-408-434-5351

Renesas Electronics Canada Limited
9251 Yonge Street, Suite 8309 Richmond Hill, Ontario Canada L4C 9T3
Tel: +1-905-237-2004

Renesas Electronics Europe Limited
Dukes Meadow, Millboard Road, Bourne End, Buckinghamshire, SL8 5FH, U.K
Tel: +44-1628-651-700, Fax: +44-1628-651-804

Renesas Electronics Europe GmbH
Arcadiastrasse 10, 40472 Düsseldorf, Germany
Tel: +49-211-6503-0, Fax: +49-211-6503-1327

Renesas Electronics (China) Co., Ltd.
Room 1709 Quantum Plaza, No.27 ZhichunLu, Haidian District, Beijing, 100191 P. R. China
Tel: +86-10-8235-1155, Fax: +86-10-8235-7679

Renesas Electronics (Shanghai) Co., Ltd.
Unit 301, Tower A, Central Towers, 555 Langao Road, Putuo District, Shanghai, 200333 P. R. China
Tel: +86-21-2226-0888, Fax: +86-21-2226-0999

Renesas Electronics Hong Kong Limited
Unit 1601-1611, 16/F., Tower 2, Grand Century Place, 193 Prince Edward Road West, Mongkok, Kowloon, Hong Kong
Tel: +852-2265-6688, Fax: +852-2886-9022

Renesas Electronics Taiwan Co., Ltd.
13F, No. 363, Fu Shing North Road, Taipei 10543, Taiwan
Tel: +886-2-8175-9600, Fax: +886-2-8175-9670

Renesas Electronics Singapore Pte. Ltd.
80 Bendemeer Road, Unit #06-02 Hyflux Innovation Centre, Singapore 339949
Tel: +65-6213-0200, Fax: +65-6213-0300

Renesas Electronics Malaysia Sdn.Bhd.
Unit 1207, Block B, Menara Amcorp, Amcorp Trade Centre, No. 18, Jln Persiaran Barat, 46050 Petaling Jaya, Selangor Darul Ehsan, Malaysia
Tel: +60-3-7955-9390, Fax: +60-3-7955-9510

Renesas Electronics India Pvt. Ltd.
No.777C, 100 Feet Road, HAL 2nd Stage, Indiranagar, Bangalore 560 038, India
Tel: +91-80-67208700, Fax: +91-80-67208777

Renesas Electronics Korea Co., Ltd.
17F, KAMCO Yangjae Tower, 262, Gangnam-daero, Gangnam-gu, Seoul, 06265 Korea
Tel: +82-2-558-3737, Fax: +82-2-558-5338

Mouser Electronics

Authorized Distributor

Click to View Pricing, Inventory, Delivery & Lifecycle Information:

Renesas Electronics:

[ISL91127IRA-EVZ](#) [ISL91127IRN-EVZ](#) [ISL91127IIAZ-T](#) [ISL91127IIAZ-T7A](#) [ISL91127IINZ-T7A](#) [ISL91127II2AZ-T](#)
[ISL91127IINZ-T](#) [ISL91127II2AZ-T7A](#) [ISL91127IRAZ-T7A](#) [ISL91127IRNZ-T7A](#) [ISL91127IRAZ-T](#) [ISL91127IRNZ-T](#)