

# Operational Amplifier

## Automotive Ground Sense Operational Amplifiers

**BA2904Yxxx-M BA2902Yxx-M**

### General Description

BA2904Yxxx-M and BA2902Yxx-M are manufactured for automotive. These products are operational amplifiers that can operate in single power supply. It features low power consumption, input common-mode voltage range includes ground, and can operate from +3V to +36V.

Applications are Car Navigation System, Car Audio, Automotive Body and Exteriors.

### Features

- AEC-Q100 Qualified
- Single or Dual Power Supply Operation
- Wide Operating Supply Voltage
- Standard Op-Amp Pin-assignments
- Common-mode Input Voltage Range includes ground level
- Low Supply Current
- Wide Temperature Range

### Applications

- Car Navigation System
- Car Audio
- Automotive Body and Exteriors

### Key Specifications

- Operating Supply Voltage
  - Single Supply : +3.0V to +36V
  - Dual Supply : ±1.5V to ±18V
- Supply Current
  - BA2904Yxxx-M (Dual) 0.5mA(Typ)
  - BA2902Yxx-M (Quad) 0.7mA(Typ)
- Input Bias Current : 20nA(Typ)
- Input Offset Current : 2nA(Typ)
- Operating Temperature Range : -40°C to +125°C

### Packages

Packages	W(Typ) x D(Typ) x H(Max)
SOP8	5.00mm x 6.20mm x 1.71mm
SSOP-B8	3.00mm x 6.40mm x 1.35mm
MSOP8	2.90mm x 4.00mm x 0.90mm
SOP14	8.70mm x 6.20mm x 1.71mm
SSOP-B14	5.00mm x 6.40mm x 1.35mm

### Simplified Schematic

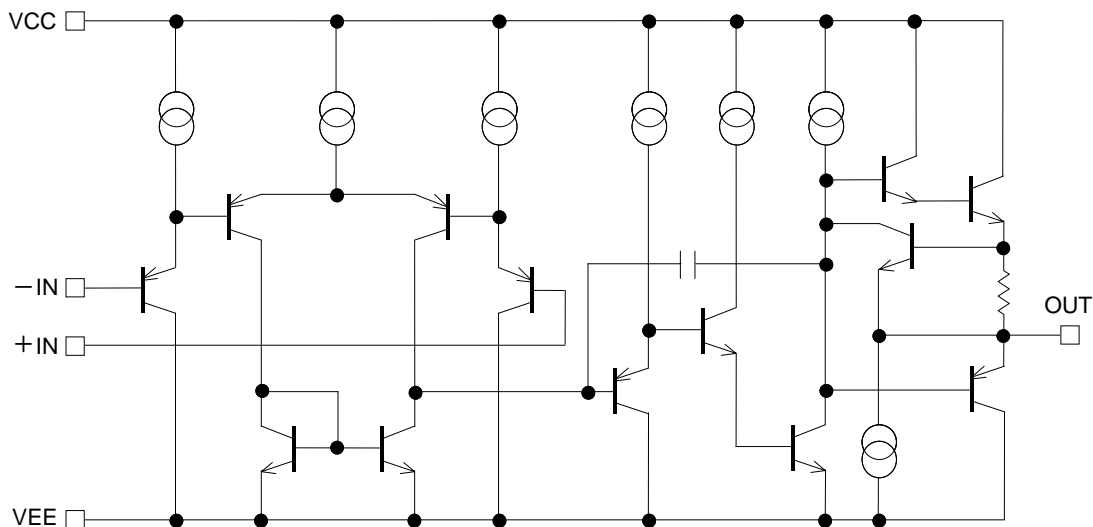
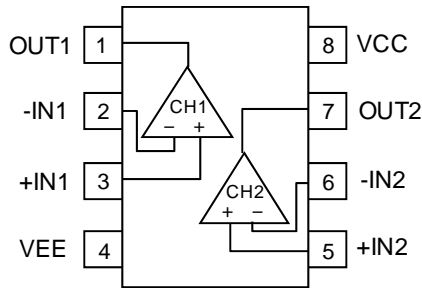


Figure 1. Simplified Schematic (1 Channel Only)

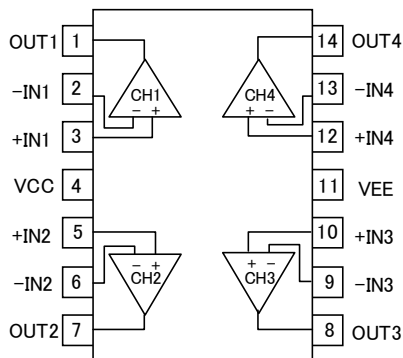
Pin Configuration

BA2904YF-M : SOP8  
 BA2904YFV-M : SSOP-B8  
 BA2904YFVM-M : MSOP8



Pin No.	Pin Name
1	OUT1
2	-IN1
3	+IN1
4	VEE
5	+IN2
6	-IN2
7	OUT2
8	VCC

BA2902YF-M : SOP14  
 BA2902YFV-M : SSOP-B14



Pin No.	Pin Name
1	OUT1
2	-IN1
3	+IN1
4	VCC
5	+IN2
6	-IN2
7	OUT2
8	OUT3
9	-IN3
10	+IN3
11	VEE
12	+IN4
13	-IN4
14	OUT4

Package				
SOP8	SSOP-B8	MSOP8	SOP14	SSOP-B14
BA2904YF-M	BA2904YFV-M	BA2904YFVM-M	BA2902YF-M	BA2902YFV-M

## Ordering Information

B A 2 9 0 x Y x x x	-	M x x
Parts Number. BA2904Yxxx BA2902Yxx	Package F : SOP8 SOP14 FV : SSOP-B8 SSOP-B14 FVM: MSOP8	Packaging and forming specification M : Automotive E2: Embossed tape and reel (SOP8/SOP14/SSOP-B8/SSOP-B14) TR: Embossed tape and reel (MSOP8)

## Line-up

Topr	Supply Voltage	Number of Channels	Package		Orderable Part Number
-40°C to +125°C	+3V to +36V	Dual	SOP8	Reel of 2500	BA2904YF-ME2
			SSOP-B8	Reel of 2500	BA2904YFV-ME2
			MSOP8	Reel of 3000	BA2904YFVM-MTR
		Quad	SOP14	Reel of 2500	BA2902YF-ME2
			SSOP-B14	Reel of 2500	BA2902YFV-ME2

Absolute Maximum Ratings (T<sub>A</sub>=25°C)

Parameter	Symbol	Ratings		Unit	
		BA2904Yxxx-C	BA2902Yxx-C		
Supply Voltage	V <sub>CC-VEE</sub>	+36		V	
Power Dissipation	P <sub>D</sub>	SOP8	0.77 <sup>(Note 1,6)</sup>	-	W
		SSOP-B8	0.62 <sup>(Note 2,6)</sup>	-	
		MSOP8	0.58 <sup>(Note 3,6)</sup>	-	
		SOP14	-	0.56 <sup>(Note 4,6)</sup>	
		SSOP-B14	-	0.87 <sup>(Note 5,6)</sup>	
Differential Input Voltage <sup>(Note 7)</sup>	V <sub>ID</sub>	+36		V	
Input Common-mode Voltage Range	V <sub>ICM</sub>	(VEE-0.3) to (VEE+36)		V	
Input Current <sup>(Note 8)</sup>	I <sub>I</sub>	-10		mA	
Operating Supply Voltage	V <sub>opr</sub>	+3.0 to +36 (±1.5 to ±18)		V	
Operating Temperature Range	T <sub>opr</sub>	-40 to +125		°C	
Storage Temperature Range	T <sub>stg</sub>	-55 to +150		°C	
Maximum Junction Temperature	T <sub>Jmax</sub>	+150		°C	

(Note 1) To use at temperature above T<sub>A</sub>=25°C reduce 6.2mW/°C.

(Note 2) To use at temperature above T<sub>A</sub>=25°C reduce 5.0mW/°C.

(Note 3) To use at temperature above T<sub>A</sub>=25°C reduce 4.7mW/°C.

(Note 4) To use at temperature above T<sub>A</sub>=25°C reduce 4.5mW/°C.

(Note 5) To use at temperature above T<sub>A</sub>=25°C reduce 7.0mW/°C.

(Note 6) Mounted on a FR4 glass epoxy PCB 70mm×70mm×1.6mm (copper foil area less than 3%).

(Note 7) The voltage difference between inverting input and non-inverting input is the differential input voltage. Then input terminal voltage is set to more than VEE.

(Note 8) An excessive input current will flow when input voltages of less than VEE-0.6V are applied. The input current can be set to less than the rated current by adding a limiting resistor.

**Caution:** Operating the IC over the absolute maximum ratings may damage the IC. The damage can either be a short circuit between pins or an open circuit between pins and the internal circuitry. Therefore, it is important to consider circuit protection measures, such as adding a fuse, in case the IC is operated over the absolute maximum ratings.

## Electrical Characteristics

OBA2904Yxxx-M (Unless otherwise specified VCC=+5V, VEE=0V)

Parameter	Symbol	Temperature Range	Limit			Unit	Conditions
			Min	Typ	Max		
Input Offset Voltage <sup>(Note 9,10)</sup>	V <sub>IO</sub>	25°C	-	2	7	mV	E <sub>K</sub> =-1.4V
		Full range	-	-	10		VCC=5 to 30V, E <sub>K</sub> =-1.4V
Input Offset Voltage Drift	ΔV <sub>IO</sub> /ΔT	-	-	±7	-	μV/°C	E <sub>K</sub> =-1.4V
Input Offset Current <sup>(Note 9,10)</sup>	I <sub>IO</sub>	25°C	-	2	50	nA	E <sub>K</sub> =-1.4V
		Full range	-	-	200		
Input Offset Current Drift	ΔI <sub>IO</sub> /ΔT	-	-	±10	-	pA/°C	E <sub>K</sub> =-1.4V
Input Bias Current <sup>(Note 10,11)</sup>	I <sub>B</sub>	25°C	-	20	250	nA	E <sub>K</sub> =-1.4V
		Full range	-	-	250		
Supply Current <sup>(Note 10)</sup>	I <sub>CC</sub>	25°C	-	0.5	1.2	mA	R <sub>L</sub> =∞, All Op-Amps
		Full range	-	-	2		
Maximum Output Voltage(High) <sup>(Note 10)</sup>	V <sub>OH</sub>	25°C	3.5	-	-	V	R <sub>L</sub> =2kΩ
		Full range	27	28	-		VCC=30V, R <sub>L</sub> =10kΩ
Maximum Output Voltage(Low) <sup>(Note 10)</sup>	V <sub>OL</sub>	Full range	-	5	20	mV	R <sub>L</sub> =∞, All Op-Amps
Large Signal Voltage Gain	A <sub>V</sub>	25°C	25	100	-	V/mV	R <sub>L</sub> ≥2kΩ, VCC=15V E <sub>K</sub> =-1.4V to -11.4V
Input Common-mode Voltage Range	V <sub>ICM</sub>	25°C	0	-	VCC-1.5	V	(VCC-VEE)=5V E <sub>K</sub> =VEE-1.4V
Common-mode Rejection Ratio	CMRR	25°C	50	80	-	dB	E <sub>K</sub> =-1.4V
Power Supply Rejection Ratio	PSRR	25°C	65	100	-	dB	VCC=5 to 30V
Output Source Current <sup>(Note 10,12)</sup>	I <sub>SOURCE</sub>	25°C	20	30	-	mA	+IN=1V, -IN=0V OUT=0V, Short Current
		Full range	10	-	-		
Output Sink Current <sup>(Note 10,12)</sup>	I <sub>SINK</sub>	25°C	10	20	-	mA	+IN=0V, -IN=1V OUT=5V, Short Current
		Full range	2	-	-		
		25°C	12	40	-	μA	+IN=0V, -IN=1V OUT=200mV
Slew Rate	SR	25°C	-	0.2	-	V/μs	VCC=15V, A <sub>V</sub> =0dB R <sub>L</sub> =2kΩ, C <sub>L</sub> =100pF
Gain Bandwidth Product	GBW	25°C	-	0.5	-	MHz	VCC=30V, R <sub>L</sub> =2kΩ C <sub>L</sub> =100pF
Input Referred Noise Voltage	V <sub>N</sub>	25°C	-	40	-	nV/√Hz	VCC=15V, VEE=-15V A <sub>V</sub> =40dB, V <sub>ICM</sub> =0V R <sub>S</sub> =100Ω, f=1kHz
Channel Separation	CS	25°C	-	120	-	dB	A <sub>V</sub> =40dB, f=1kHz OUT=0.5Vrms

(Note 9) Absolute value

(Note 10) Full range T<sub>A</sub>=-40°C to +125°C

(Note 11) Current Direction: Since first input stage is composed with PNP transistor, input bias current flows out of IC.

(Note 12) Under high temperatures, please consider the power dissipation when selecting the output current.

When the output terminal is continuously shorted the output current reduces the internal temperature by flushing.

## Electrical Characteristics

OBA2902Yxx-M (Unless otherwise specified VCC=+5V, VEE=0V)

Parameter	Symbol	Temperature Range	Limit			Unit	Conditions
			Min	Typ	Max		
Input Offset Voltage <sup>(Note 13,14)</sup>	V <sub>IO</sub>	25°C	-	2	7	mV	E <sub>K</sub> =-1.4V
		Full range	-	-	10		VCC=5 to 30V, E <sub>K</sub> =-1.4V
Input Offset Voltage Drift	ΔV <sub>IO</sub> /ΔT	-	-	±7	-	μV/°C	E <sub>K</sub> =-1.4V
Input Offset Current <sup>(Note 13,14)</sup>	I <sub>IO</sub>	25°C	-	2	50	nA	E <sub>K</sub> =-1.4V
		Full range	-	-	200		
Input Offset Current Drift	ΔI <sub>IO</sub> /ΔT	-	-	±10	-	pA/°C	E <sub>K</sub> =-1.4V
Input Bias Current <sup>(Note 14,15)</sup>	I <sub>B</sub>	25°C	-	20	250	nA	E <sub>K</sub> =-1.4V
		Full range	-	-	250		
Supply Current <sup>(Note 14)</sup>	I <sub>CC</sub>	25°C	-	0.7	2	mA	R <sub>L</sub> =∞, All Op-Amps
		Full range	-	-	3		
Maximum Output Voltage(High) <sup>(Note 14)</sup>	V <sub>OH</sub>	25°C	3.5	-	-	V	R <sub>L</sub> =2kΩ
		Full range	27	28	-		VCC=30V, R <sub>L</sub> =10kΩ
Maximum Output Voltage(Low) <sup>(Note 14)</sup>	V <sub>OL</sub>	Full range	-	5	20	mV	R <sub>L</sub> =∞, All Op-Amps
Large Signal Voltage Gain	A <sub>V</sub>	25°C	25	100	-	V/mV	R <sub>L</sub> ≥2kΩ, VCC=15V E <sub>K</sub> =-1.4V to -11.4V
Input Common-mode Voltage Range	V <sub>ICM</sub>	25°C	0	-	VCC-1.5	V	(VCC-VEE)=5V E <sub>K</sub> =VEE-1.4V
Common-mode Rejection Ratio	CMRR	25°C	50	80	-	dB	E <sub>K</sub> =-1.4V
Power Supply Rejection Ratio	PSRR	25°C	65	100	-	dB	VCC=5 to 30V
Output Source Current <sup>(Note 14,16)</sup>	I <sub>SOURCE</sub>	25°C	20	30	-	mA	+IN=1V, -IN=0V OUT=0V, Short Current
		Full range	10	-	-		
Output Sink Current <sup>(Note 14,16)</sup>	I <sub>SINK</sub>	25°C	10	20	-	mA	+IN=0V, -IN=1V OUT=5V, Short Current
		Full range	2	-	-		
		25°C	12	40	-	μA	+IN=0V, -IN=1V OUT=200mV
Slew Rate	SR	25°C	-	0.2	-	V/μs	VCC=15V, A <sub>V</sub> =0dB R <sub>L</sub> =2kΩ, C <sub>L</sub> =100pF
Gain Bandwidth Product	GBW	25°C	-	0.5	-	MHz	VCC=30V, R <sub>L</sub> =2kΩ C <sub>L</sub> =100pF
Input Referred Noise Voltage	V <sub>N</sub>	25°C	-	40	-	nV/√Hz	VCC=15V, VEE=-15V A <sub>V</sub> =40dB, V <sub>ICM</sub> =0V R <sub>S</sub> =100Ω, f=1kHz
Channel Separation	CS	25°C	-	120	-	dB	A <sub>V</sub> =40dB, f=1kHz OUT=0.5Vrms

(Note 13) Absolute value

(Note 14) Full range T<sub>A</sub>=-40°C to +125°C

(Note 15) Current Direction: Since first input stage is composed with PNP transistor, input bias current flows out of IC.

(Note 16) Under high temperatures, please consider the power dissipation when selecting the output current.

When the output terminal is continuously shorted the output current reduces the internal temperature by flushing.

## Description of Electrical Characteristics

Described below are descriptions of the relevant electrical terms used in this datasheet. Items and symbols used are also shown. Note that item name and symbol and their meaning may differ from those on another manufacturer's document or general document.

### 1. Absolute maximum ratings

Absolute maximum rating items indicate the condition which must not be exceeded. Application of voltage in excess of absolute maximum rating or use out of absolute maximum rated temperature environment may cause deterioration of characteristics.

- (1) Supply Voltage (VCC/VEE)  
Indicates the maximum voltage that can be applied between the positive power supply terminal and negative power supply terminal without deterioration or destruction of characteristics of internal circuit.
- (2) Differential Input Voltage ( $V_{ID}$ )  
Indicates the maximum voltage that can be applied between non-inverting and inverting terminals without damaging the IC.
- (3) Input Common-mode Voltage Range ( $V_{ICM}$ )  
Indicates the maximum voltage that can be applied to the non-inverting and inverting terminals without deterioration or destruction of electrical characteristics. Input common-mode voltage range of the maximum ratings does not assure normal operation of IC. For normal operation, use the IC within the input common-mode voltage range characteristics.
- (4) Operating and Storage Temperature Ranges ( $T_{opr}$ ,  $T_{stg}$ )  
The operating temperature range indicates the temperature range within which the IC can operate. The higher the ambient temperature, the lower the power consumption of the IC. The storage temperature range denotes the range of temperatures the IC can be stored under without causing excessive deterioration of the electrical characteristics.
- (5) Power Dissipation ( $P_D$ )  
Indicates the power that can be consumed by the IC when mounted on a specific board at the ambient temperature 25°C (normal temperature). As for package product,  $P_D$  is determined by the temperature that can be permitted by the IC in the package (maximum junction temperature) and the thermal resistance of the package.

### 2. Electrical characteristics

- (1) Input Offset Voltage ( $V_{IO}$ )  
Indicates the voltage difference between non-inverting terminal and inverting terminals. It can be translated into the input voltage difference required for setting the output voltage at 0 V.
- (2) Input Offset Voltage Drift ( $\Delta V_{IO}/\Delta T$ )  
Denotes the ratio of the input offset voltage fluctuation to the ambient temperature fluctuation.
- (3) Input Offset Current ( $I_{IO}$ )  
Indicates the difference of input bias current between the non-inverting and inverting terminals.
- (4) Input Offset Current Drift ( $\Delta I_{IO}/\Delta T$ )  
Denotes the ratio of the input offset current fluctuation to the ambient temperature fluctuation.
- (5) Input Bias Current ( $I_B$ )  
Indicates the current that flows into or out of the input terminal. It is defined by the average of input bias currents at the non-inverting and inverting terminals.
- (6) Supply Current ( $I_{CC}$ )  
Indicates the current that flows within the IC under specified no-load conditions.
- (7) Maximum Output Voltage(High) / Maximum Output Voltage(Low) ( $V_{OH}/V_{OL}$ )  
Indicates the voltage range of the output under specified load condition. It is typically divided into high-level output voltage and low-level output voltage. High-level output voltage indicates the upper limit of output voltage while Low-level output voltage indicates the lower limit.
- (8) Large Signal Voltage Gain ( $A_V$ )  
Indicates the amplifying rate (gain) of output voltage against the voltage difference between non-inverting terminal and inverting terminal. It is normally the amplifying rate (gain) with reference to DC voltage.  
 $A_V = (\text{Output voltage}) / (\text{Differential Input voltage})$
- (9) Input Common-mode Voltage Range ( $V_{ICM}$ )  
Indicates the input voltage range where IC normally operates.

- (10) Common-mode Rejection Ratio (CMRR)  
Indicates the ratio of fluctuation of input offset voltage when the input common mode voltage is changed. It is normally the fluctuation of DC.  
$$\text{CMRR} = (\text{Change of Input common-mode voltage}) / (\text{Input offset fluctuation})$$
- (11) Power Supply Rejection Ratio (PSRR)  
Indicates the ratio of fluctuation of input offset voltage when supply voltage is changed.  
It is normally the fluctuation of DC.  
$$\text{PSRR} = (\text{Change of power supply voltage}) / (\text{Input offset fluctuation})$$
- (12) Output Source Current/ Output Sink Current ( $I_{\text{SOURCE}} / I_{\text{SINK}}$ )  
The maximum current that can be output from the IC under specific output conditions. The output source current indicates the current flowing out from the IC, and the output sink current indicates the current flowing into the IC.
- (13) Slew Rate (SR)  
Indicates the ratio of the change in output voltage with time when a step input signal is applied.
- (14) Gain Bandwidth Product (GBW)  
The product of the open-loop voltage gain and the frequency at which the voltage gain decreases 6dB/octave.
- (15) Input Referred Noise Voltage ( $V_N$ )  
Indicates a noise voltage generated inside the operational amplifier equivalent by ideal voltage source connected in series with input terminal.
- (16) Channel Separation (CS)  
Indicates the fluctuation in the output voltage of the driven channel with reference to the change of output voltage of the channel which is not driven.

Typical Performance Curves

OBA2904Yxxx-M

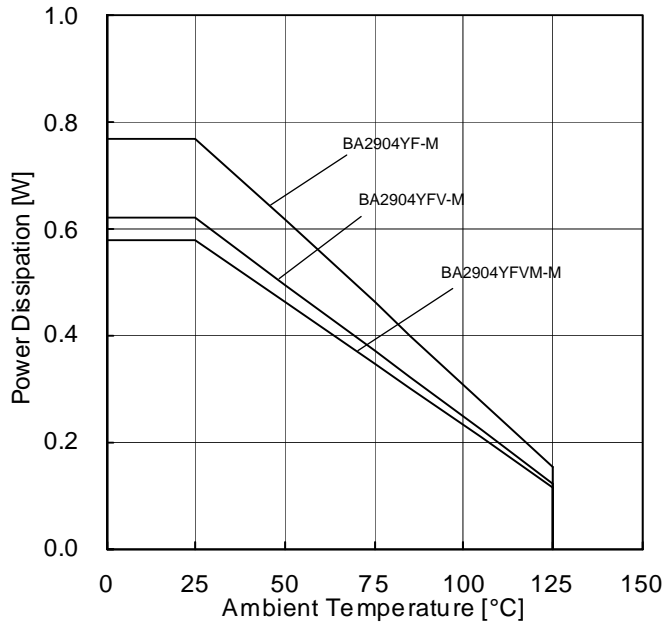


Figure 2. Derating Curve

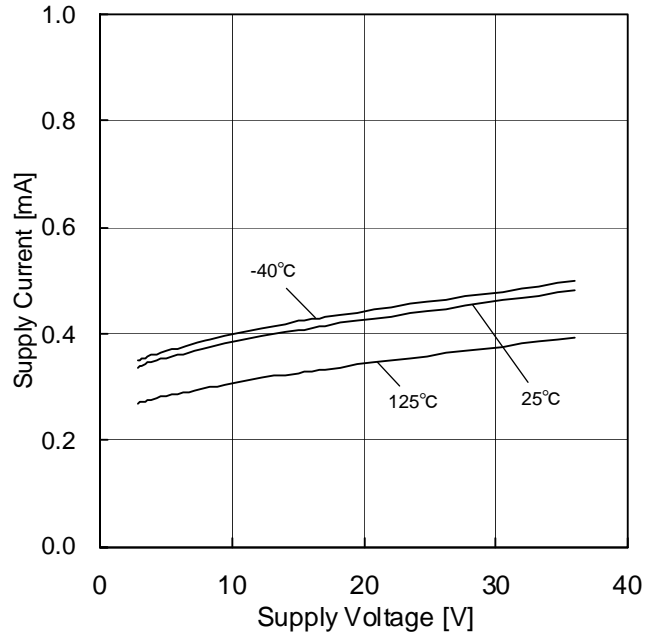


Figure 3. Supply Current vs Supply Voltage

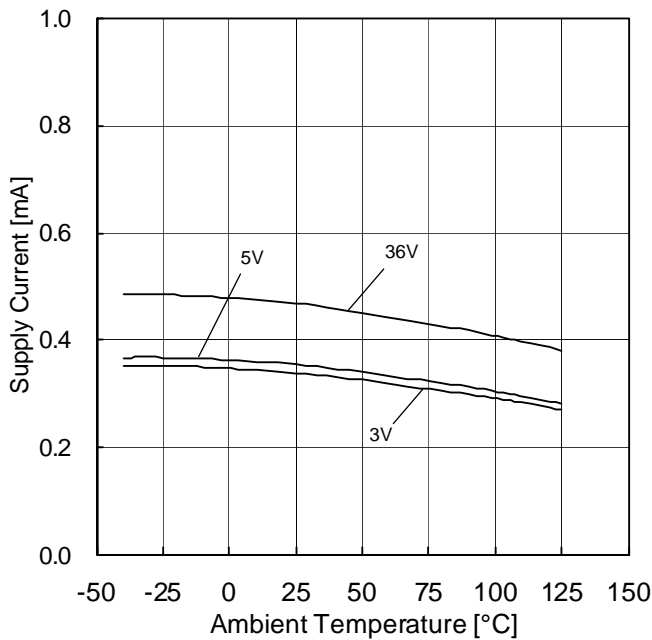


Figure 4. Supply Current vs Ambient Temperature

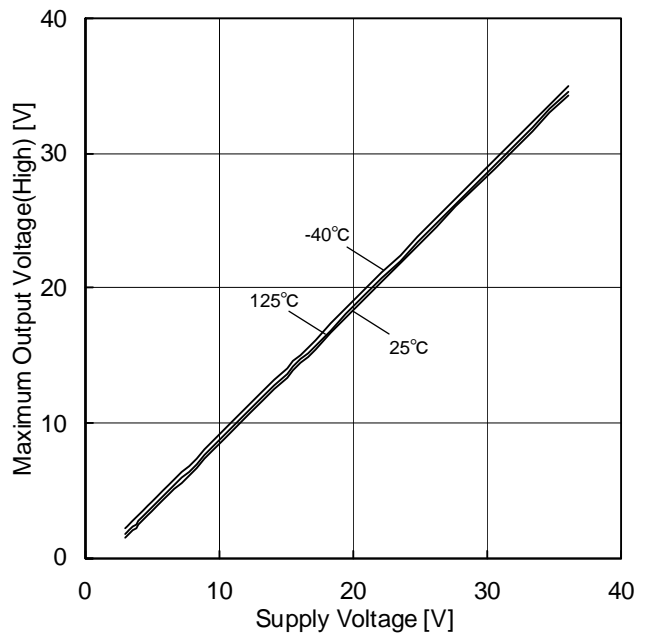


Figure 5. Maximum Output Voltage(High) vs Supply Voltage (RL=10kΩ)

(\*)The above data is measurement value of typical sample, it is not guaranteed.



OBA2904Yxxx-M

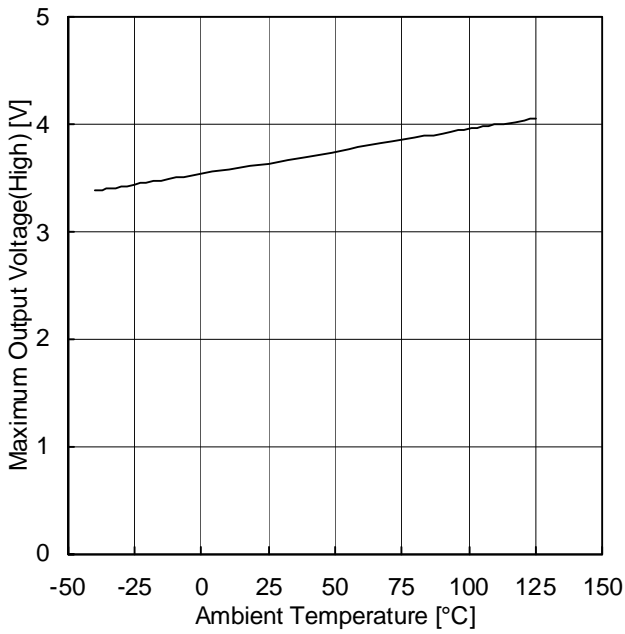


Figure 6.  
Maximum Output Voltage(High) vs Ambient Temperature  
(VCC=5V, RL=2kΩ)

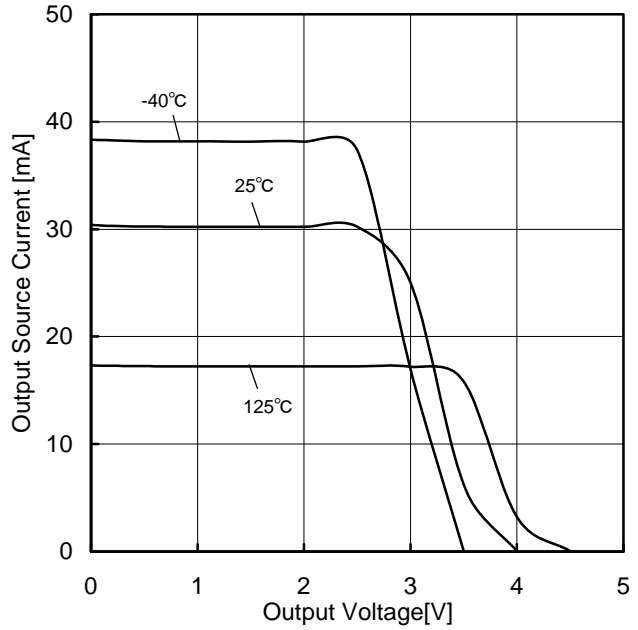


Figure 7.  
Output Source Current vs Output Voltage  
(VCC=5V)

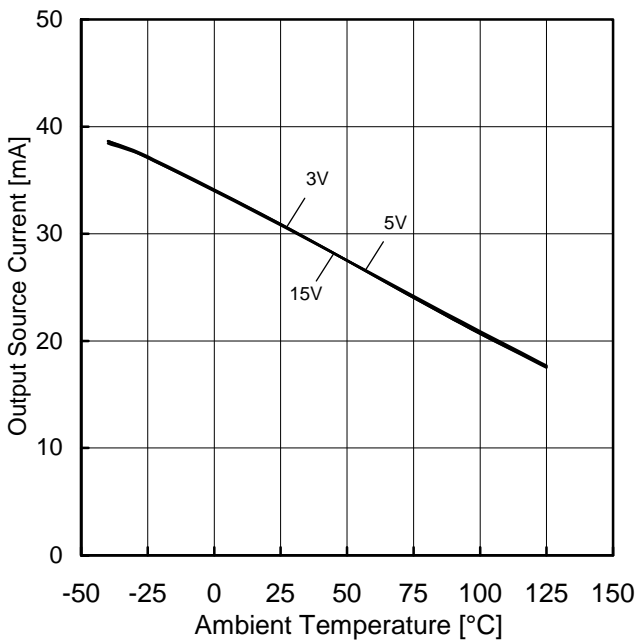


Figure 8.  
Output Source Current vs Ambient Temperature  
(OUT=0V)

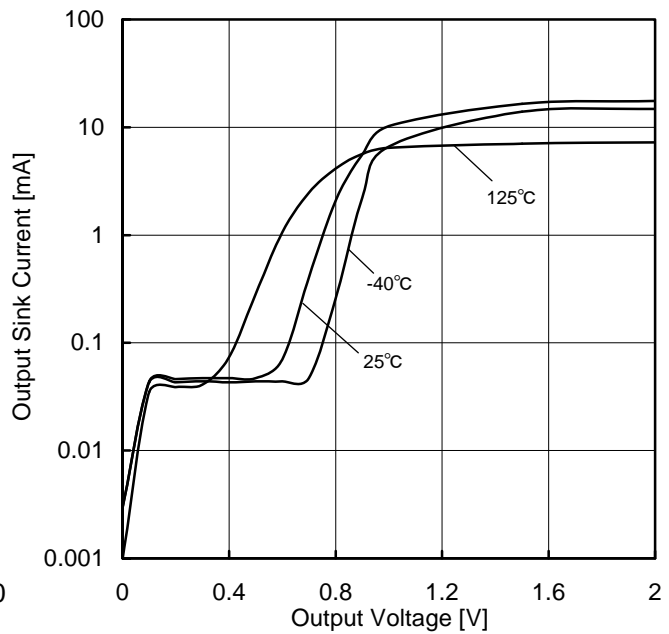


Figure 9.  
Output Sink Current vs Output Voltage  
(VCC=5V)

(\*)The above data is measurement value of typical sample, it is not guaranteed.

OBA2904Yxxx-M

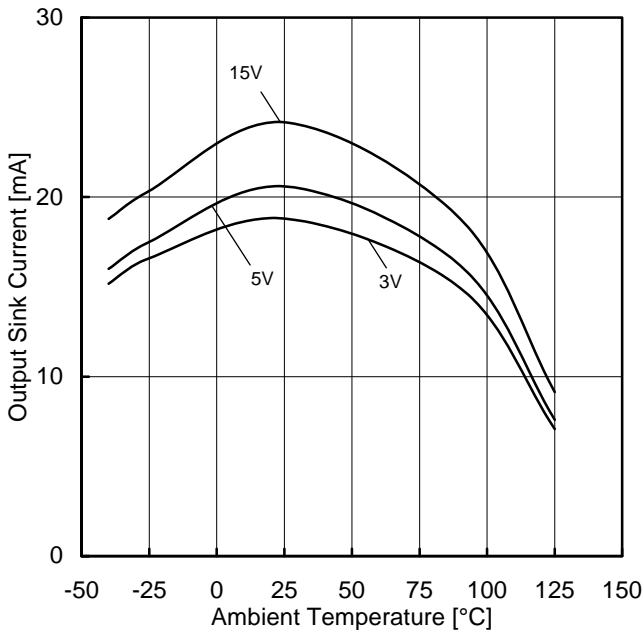


Figure 10.  
Output Sink Current vs Ambient Temperature  
(OUT=VCC)

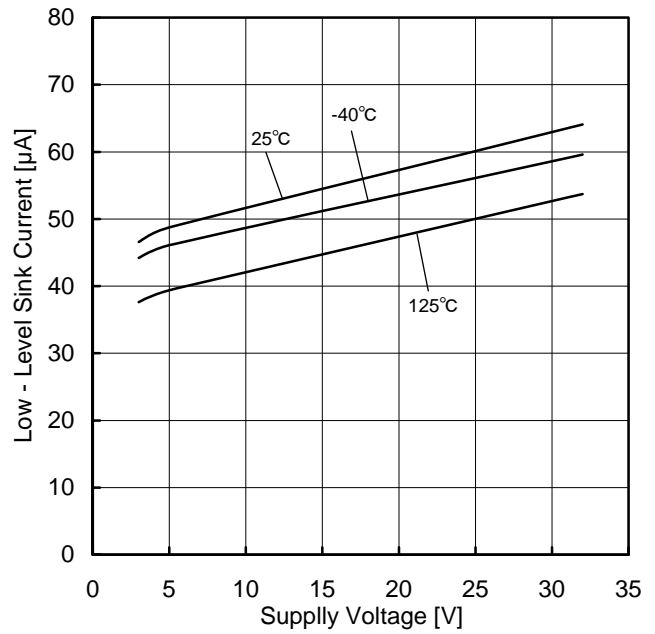


Figure 11.  
Low Level Sink Current vs Supply Voltage  
(OUT=0.2V)

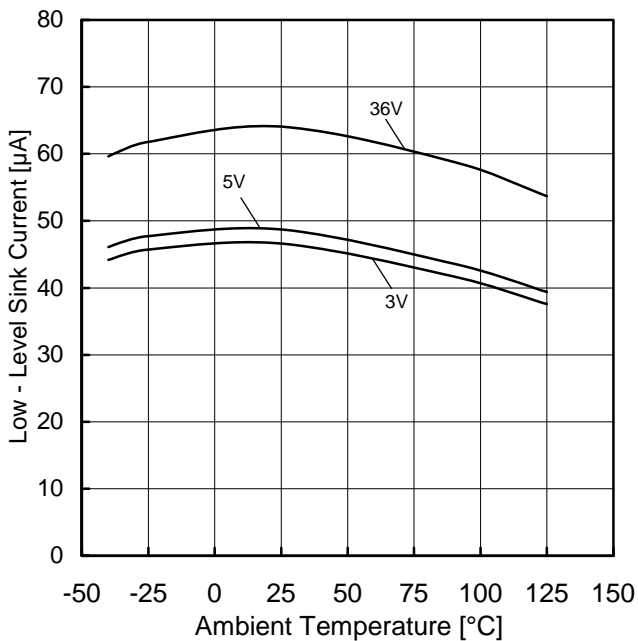


Figure 12.  
Low Level Sink Current vs Ambient Temperature  
(OUT=0.2V)

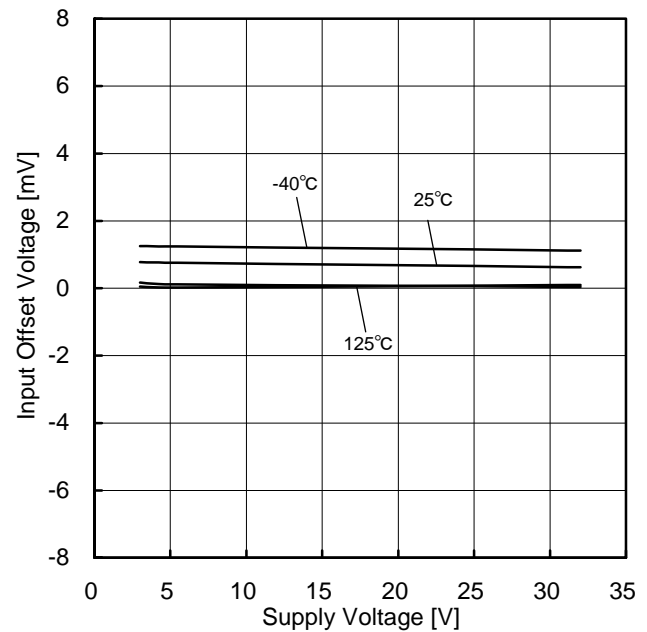


Figure 13.  
Input Offset Voltage vs Supply Voltage  
(VICM=0V, EK=-1.4V)

(\*)The above data is measurement value of typical sample, it is not guaranteed.

OBA2904Yxxx-M

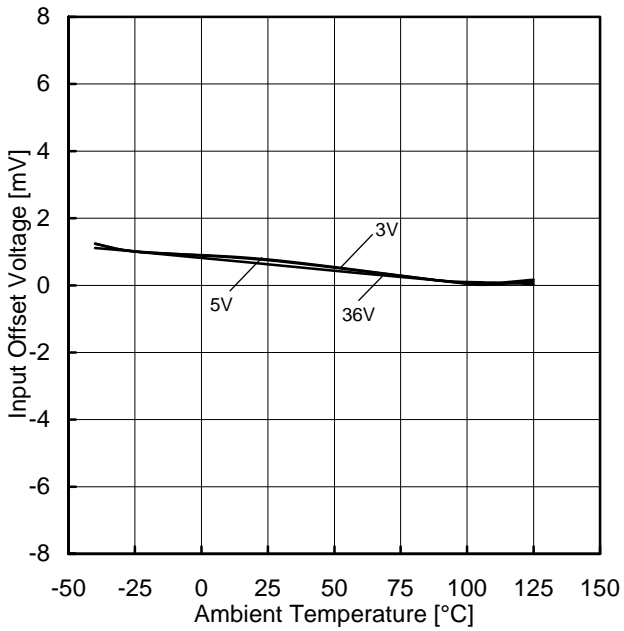


Figure 14.  
Input Offset Voltage vs Ambient Temperature  
( $V_{ICM}=0V$ ,  $E_K=-1.4V$ )

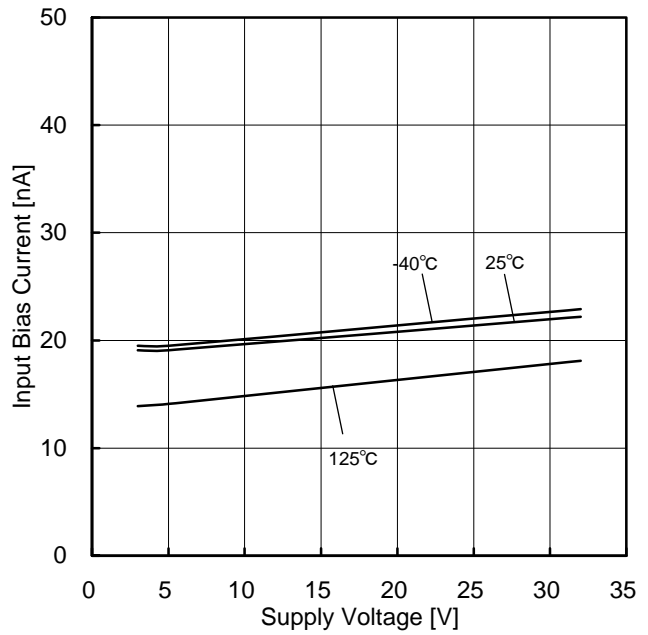


Figure 15.  
Input Bias Current vs Supply Voltage  
( $V_{ICM}=0V$ ,  $E_K=-1.4V$ )

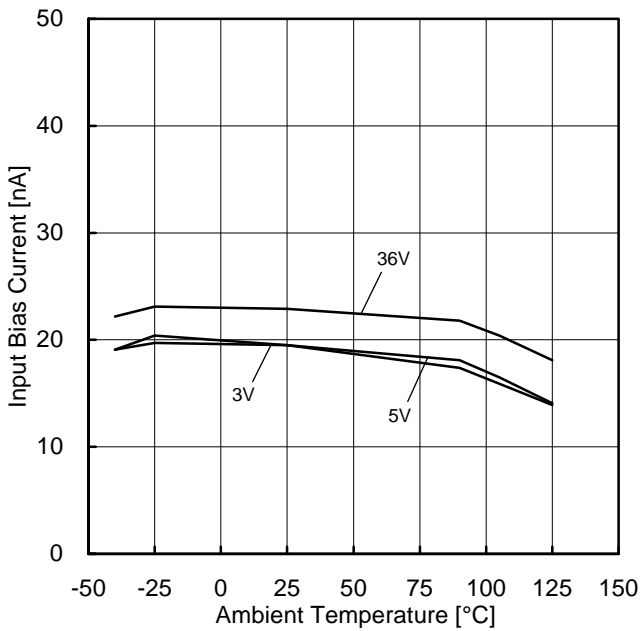


Figure 16.  
Input Bias Current vs Ambient Temperature  
( $V_{ICM}=0V$ ,  $E_K=-1.4V$ )

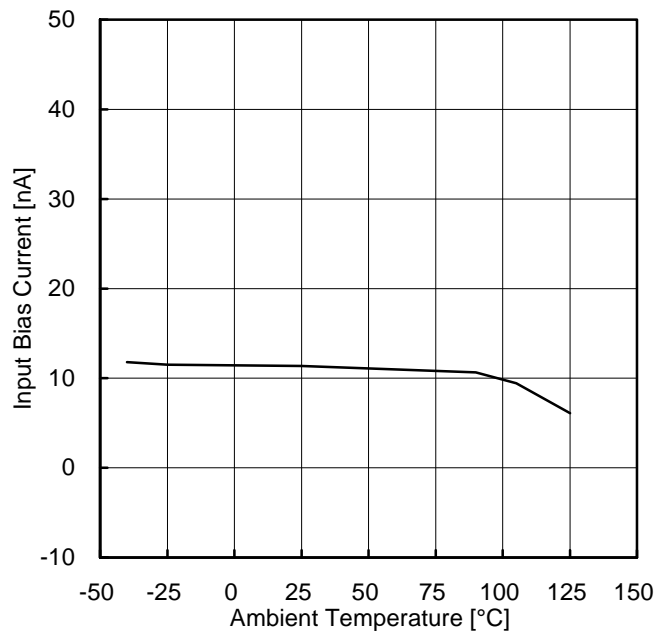


Figure 17.  
Input Bias Current vs Ambient Temperature  
( $V_{CC}=30V$ ,  $V_{ICM}=28V$ ,  $E_K=-1.4V$ )

(\*)The above data is measurement value of typical sample, it is not guaranteed.

OBA2904Yxxx-M

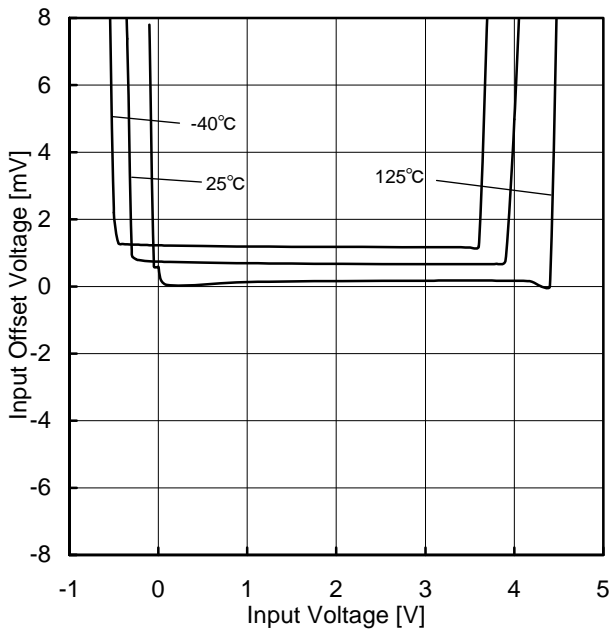


Figure 18.  
Input Offset Voltage vs Input Voltage  
(VCC=5V)

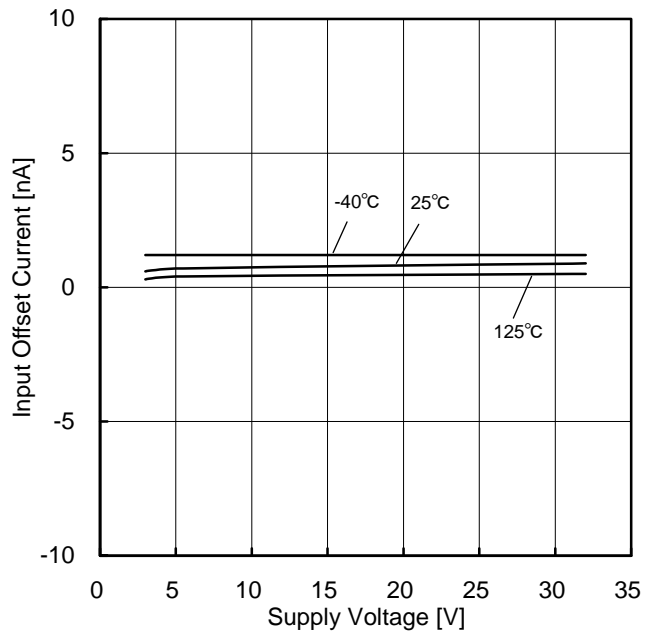


Figure 19.  
Input Offset Current vs Supply Voltage  
(VICM=0V, EK=-1.4V)

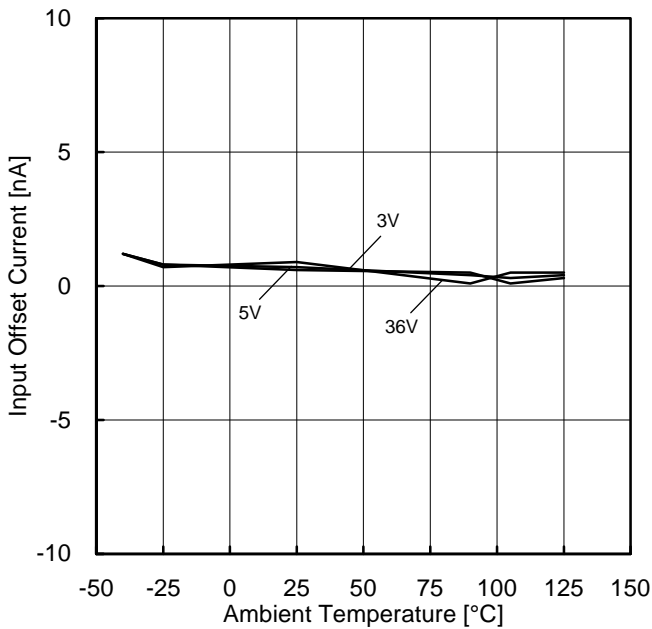


Figure 20.  
Input Offset Current vs Ambient Temperature  
(VICM=0V, EK=-1.4V)

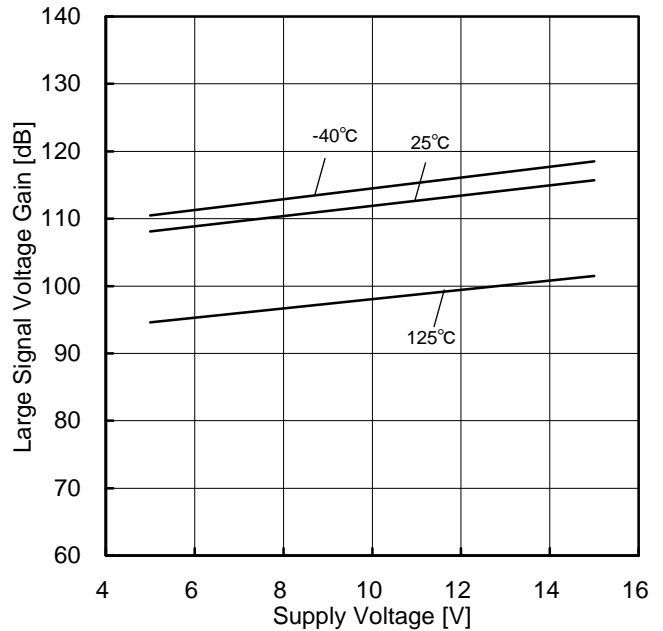


Figure 21.  
Large Signal Voltage Gain vs Supply Voltage  
(RL=2kΩ)

(\*)The above data is measurement value of typical sample, it is not guaranteed.

OBA2904Yxxx-M

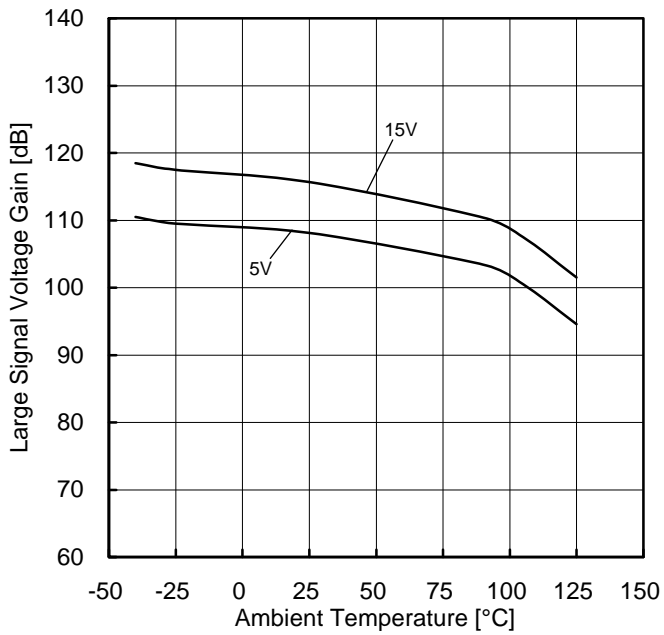


Figure 22.  
Large Signal Voltage Gain vs Ambient Temperature  
( $R_L=2k\Omega$ )

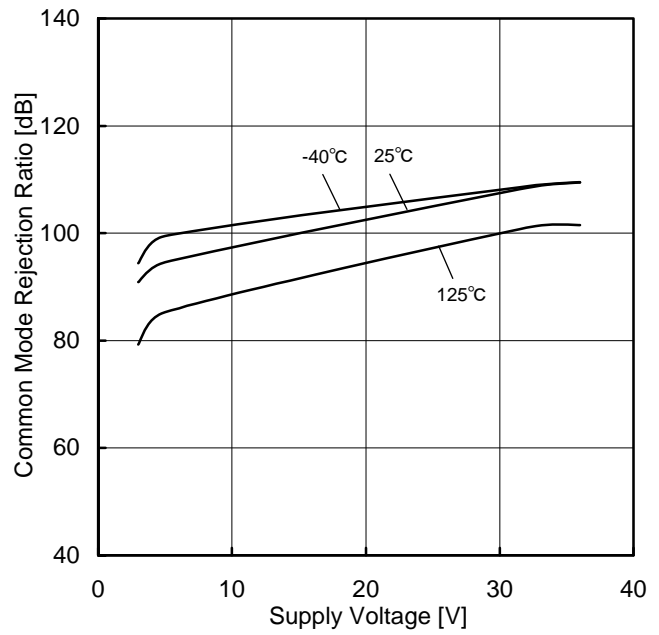


Figure 23.  
Common Mode Rejection Ratio vs Supply Voltage

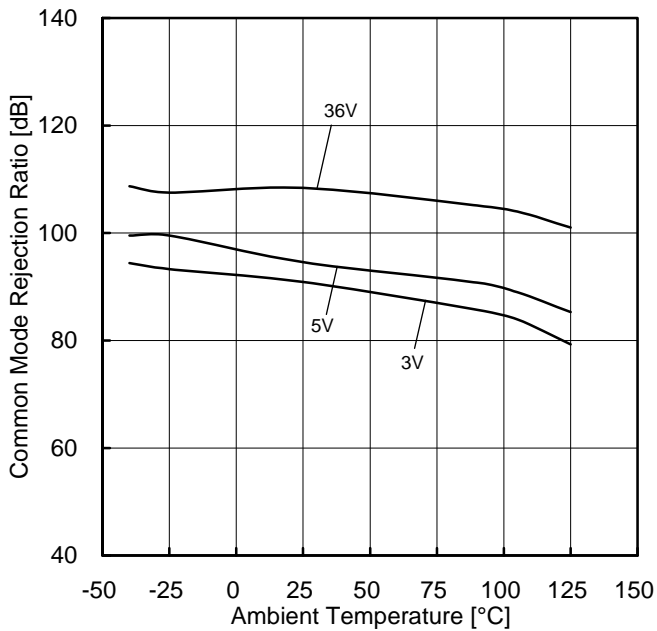


Figure 24.  
Common Mode Rejection Ratio vs Ambient Temperature

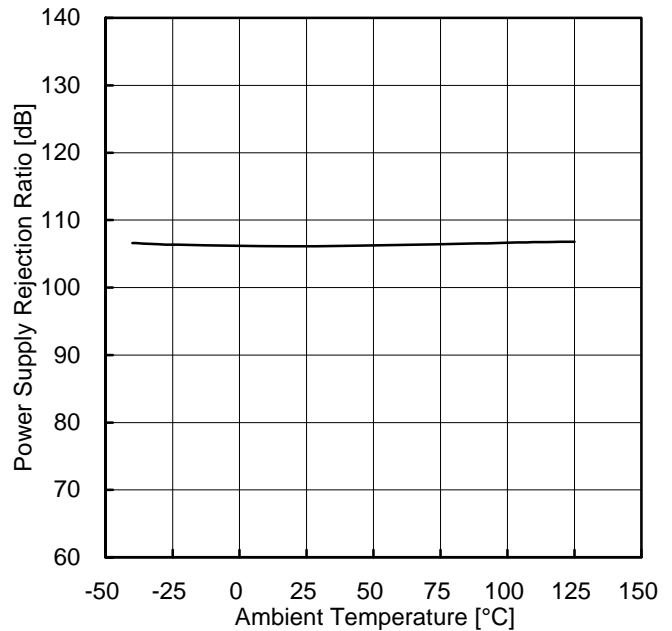


Figure 25.  
Power Supply Rejection Ratio vs Ambient Temperature

(\*)The above data is measurement value of typical sample, it is not guaranteed.

OBA2902Yxx-M

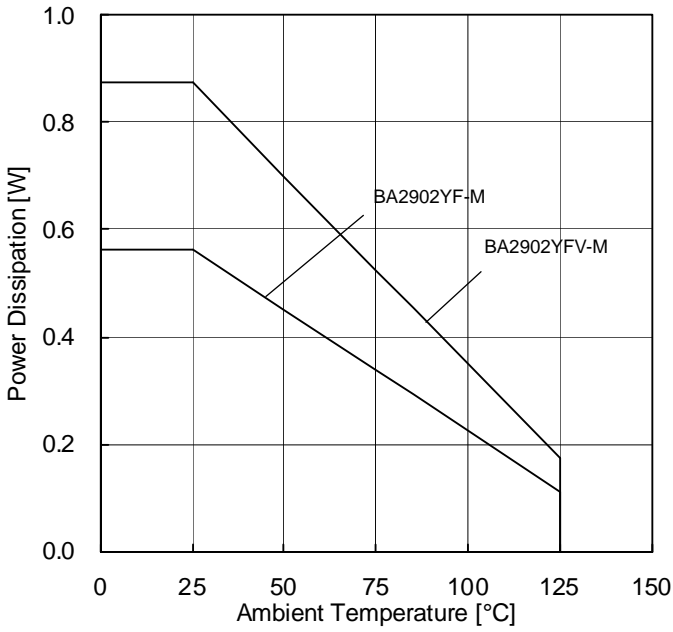


Figure 26.  
Derating Curve

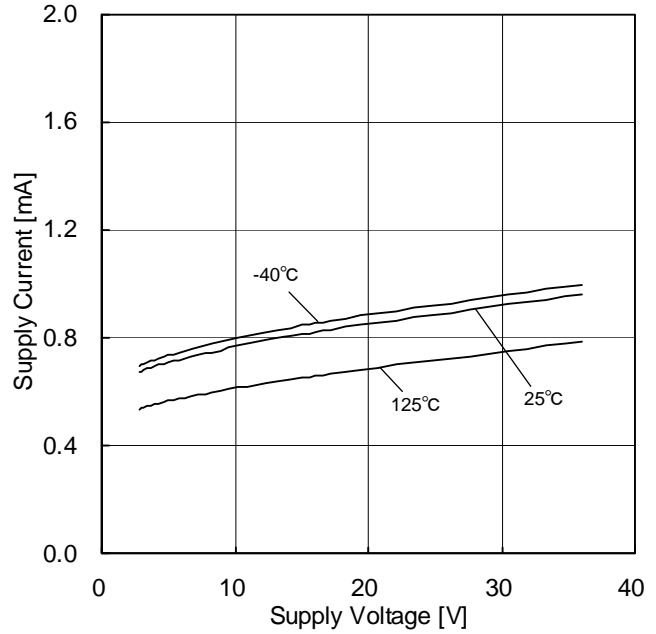


Figure 27.  
Supply Current vs Supply Voltage

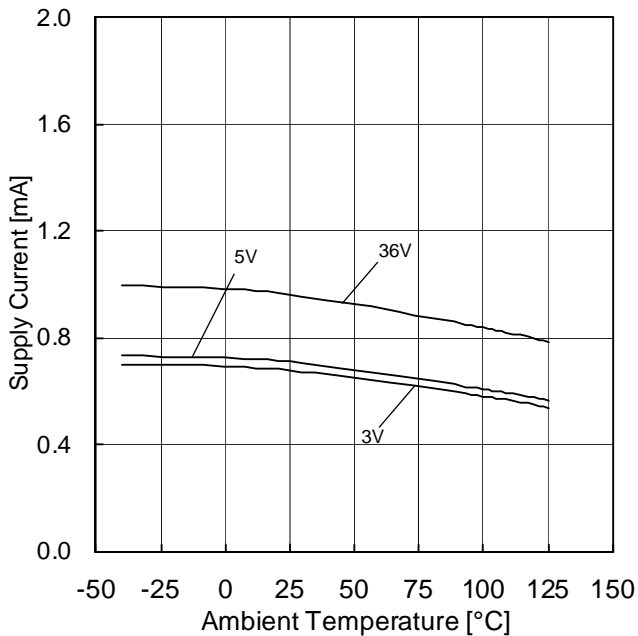


Figure 28.  
Supply Current vs Ambient Temperature

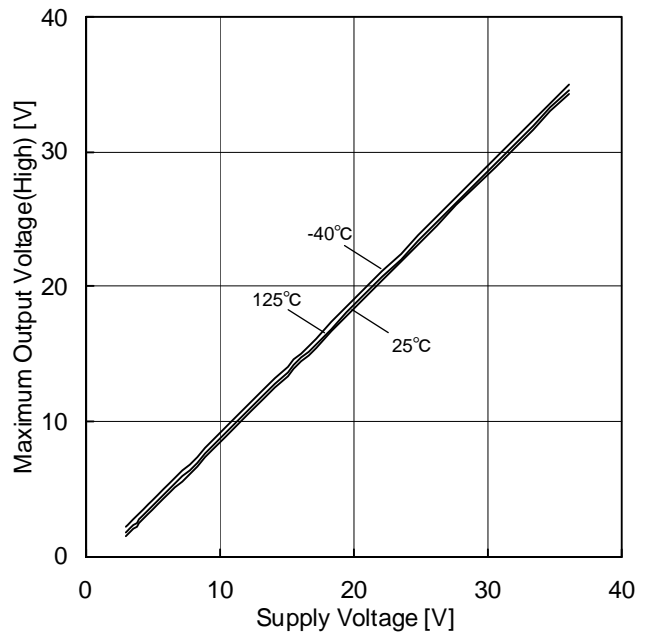


Figure 29.  
Maximum Output Voltage(High) vs Supply Voltage  
( $R_L=10k\Omega$ )

(\*)The above data is measurement value of typical sample, it is not guaranteed.

OBA2902Yxx-M

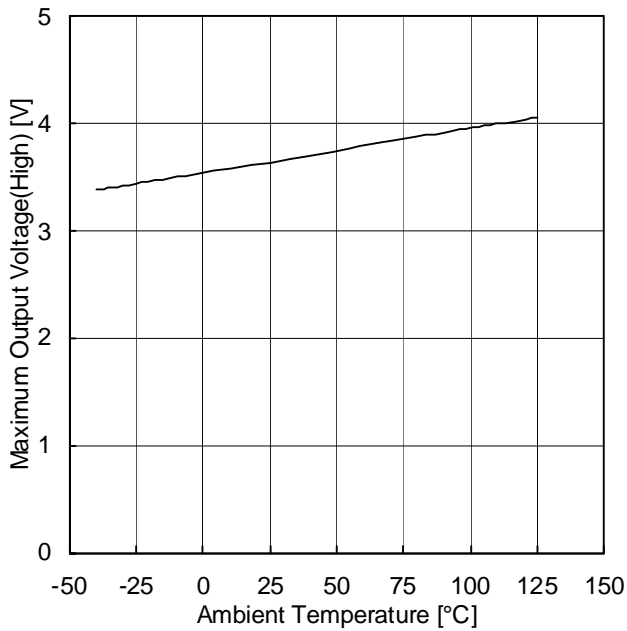


Figure 30.  
Maximum Output Voltage(High) vs Ambient Temperature  
(VCC=5V, RL=2kΩ)

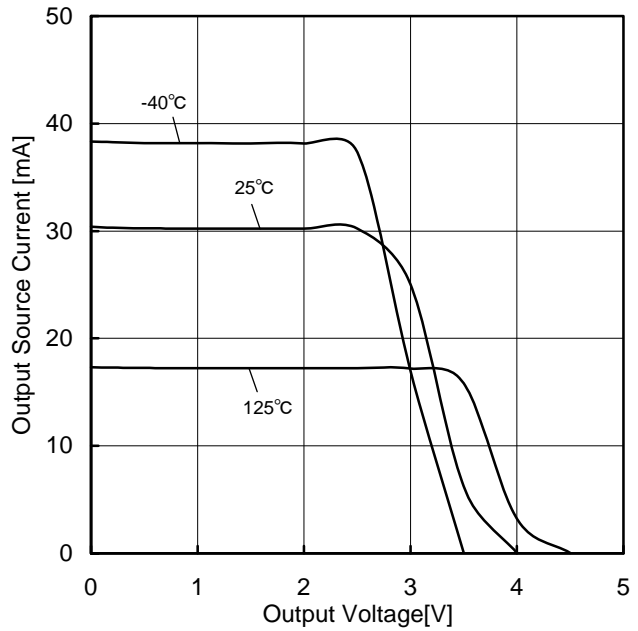


Figure 31.  
Output Source Current vs Output Voltage  
(VCC=5V)

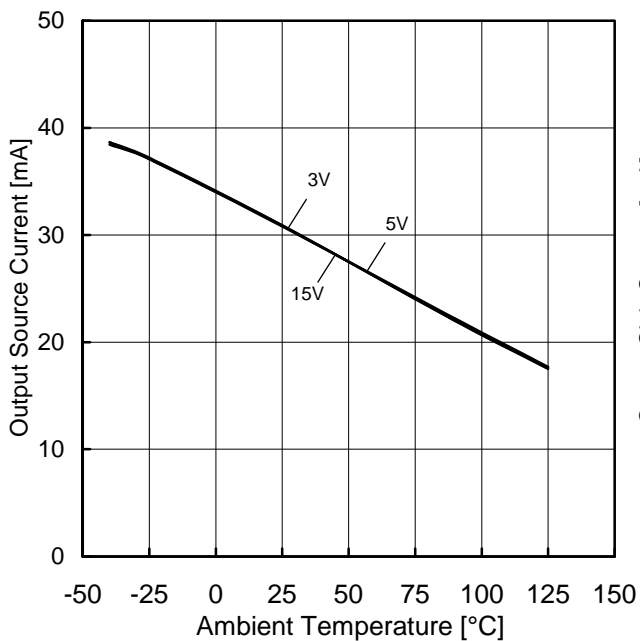


Figure 32.  
Output Source Current vs Ambient Temperature  
(OUT=0V)

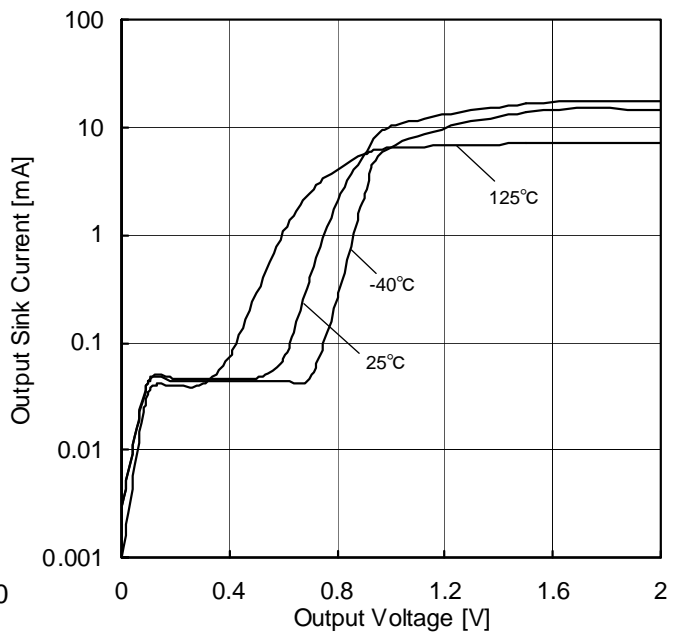


Figure 33.  
Output Sink Current vs Output Voltage  
(VCC=5V)

(\*)The above data is measurement value of typical sample, it is not guaranteed.

OBA2902Yxx-M

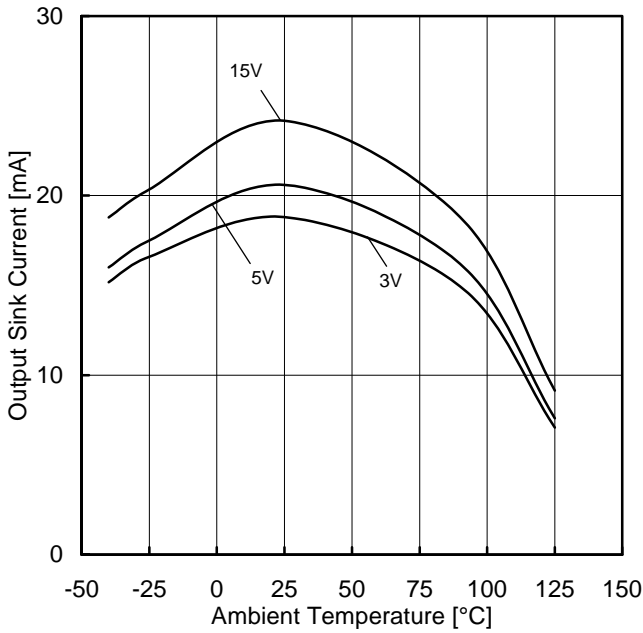


Figure 34.  
Output Sink Current vs Ambient Temperature  
(OUT=VCC)

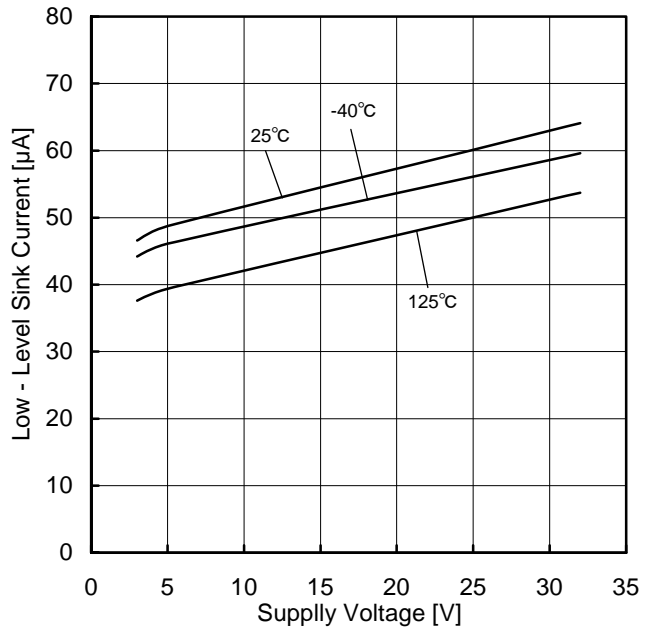


Figure 35.  
Low Level Sink Current vs Supply Voltage  
(OUT=0.2V)

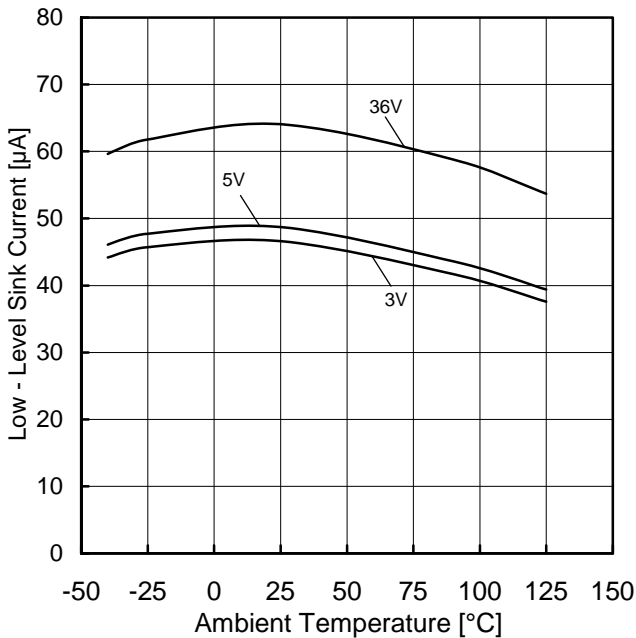


Figure 36.  
Low Level Sink Current vs Ambient Temperature  
(OUT=0.2V)

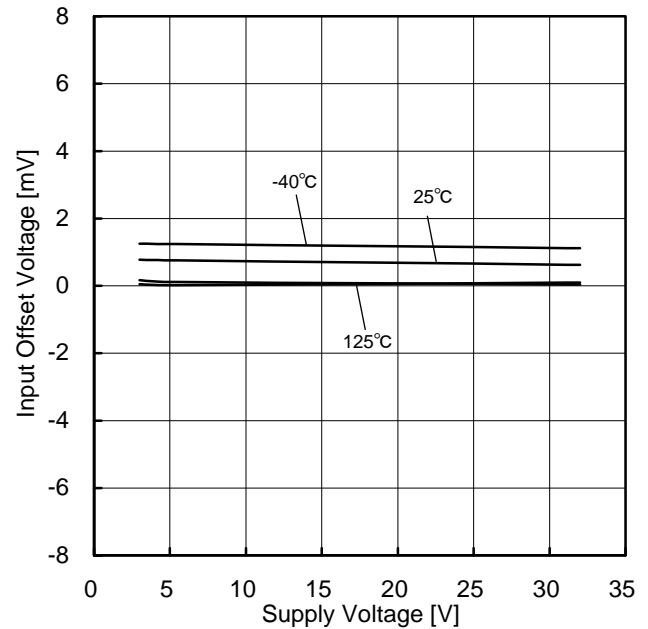


Figure 37.  
Input Offset Voltage vs Supply Voltage  
( $V_{ICM}=0V$ , OUT=1.4V)

(\*)The above data is measurement value of typical sample, it is not guaranteed.



OBA2902Yxx-M

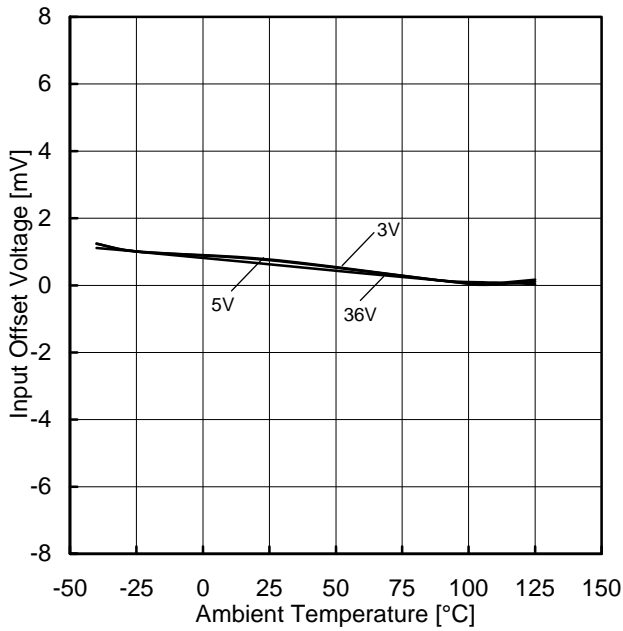


Figure 38.  
Input Offset Voltage vs Ambient Temperature  
( $V_{ICM}=0V$ ,  $E_K=-1.4V$ )

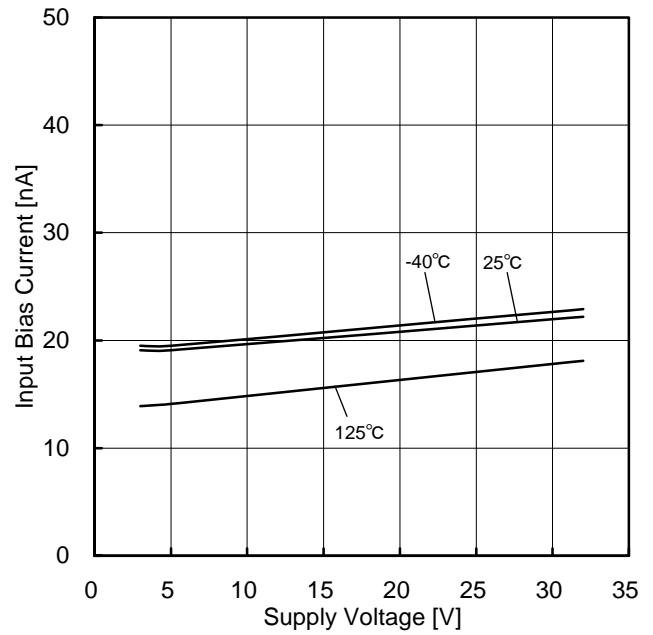


Figure 39.  
Input Bias Current vs Supply Voltage  
( $V_{ICM}=0V$ ,  $E_K=-1.4V$ )

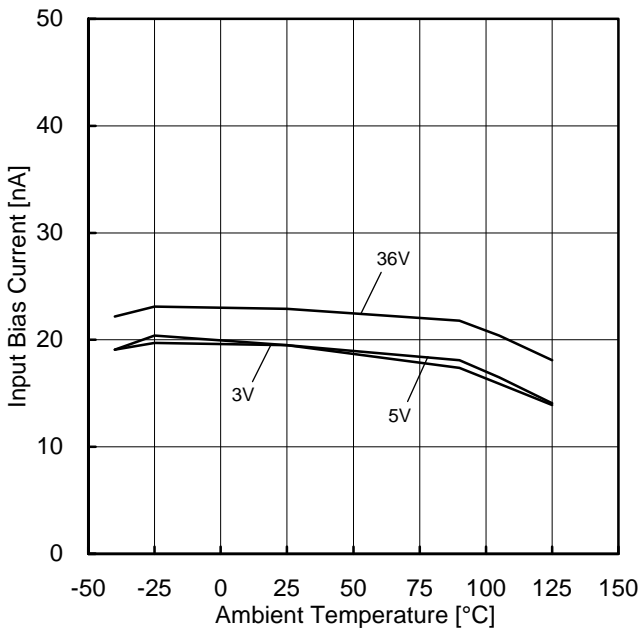


Figure 40.  
Input Bias Current vs Ambient Temperature  
( $V_{ICM}=0V$ ,  $E_K=-1.4V$ )

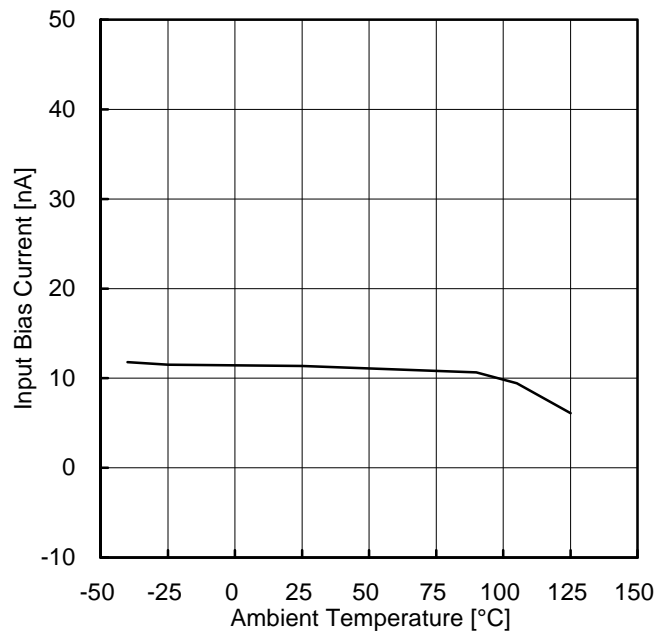


Figure 41.  
Input Bias Current vs Ambient Temperature  
( $V_{CC}=30V$ ,  $V_{ICM}=28V$ ,  $E_K=-1.4V$ )

(\*)The above data is measurement value of typical sample, it is not guaranteed.

OBA2902Yxx-M

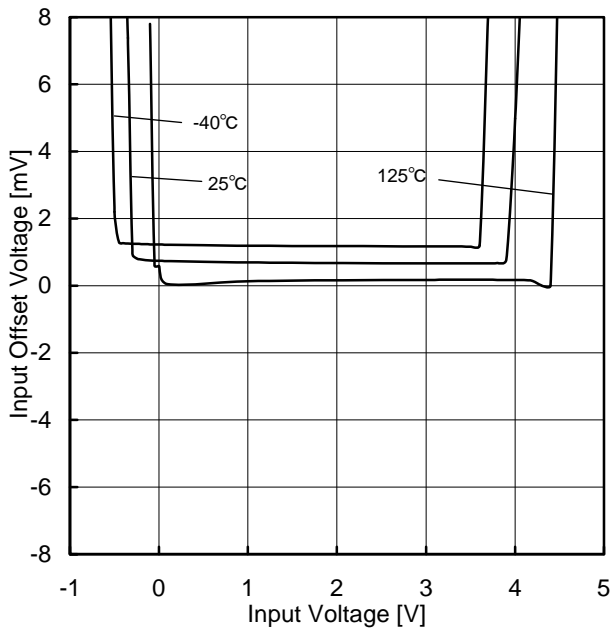


Figure 42.  
Input Offset Voltage vs Input Voltage  
(VCC=5V)

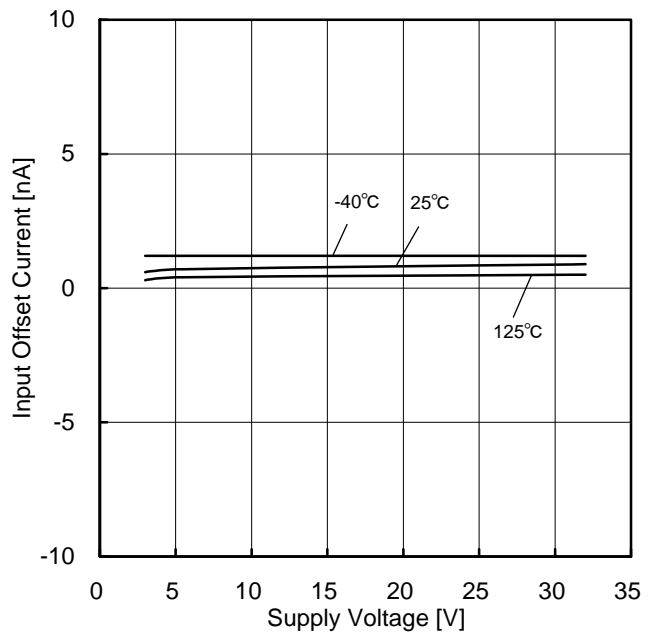


Figure 43.  
Input Offset Current vs Supply Voltage  
(V<sub>ICM</sub>=0V, E<sub>K</sub>=-1.4V)

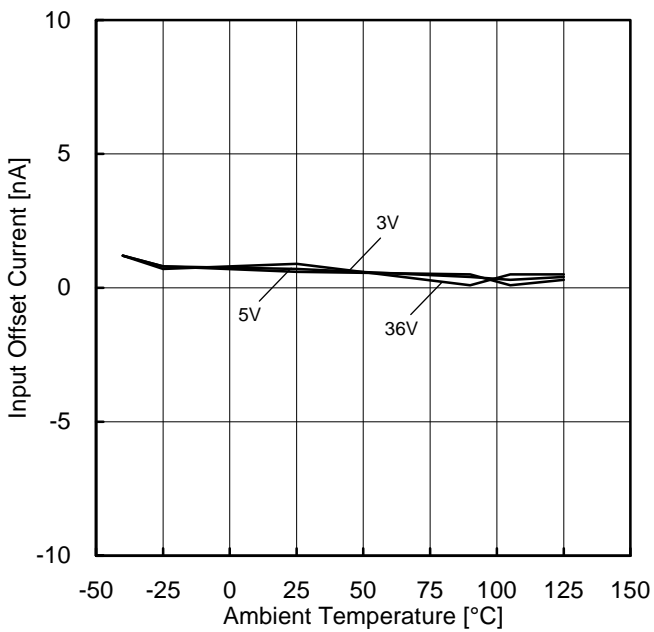


Figure 44.  
Input Offset Current vs Ambient Temperature  
(V<sub>ICM</sub>=0V, E<sub>K</sub>=-1.4V)

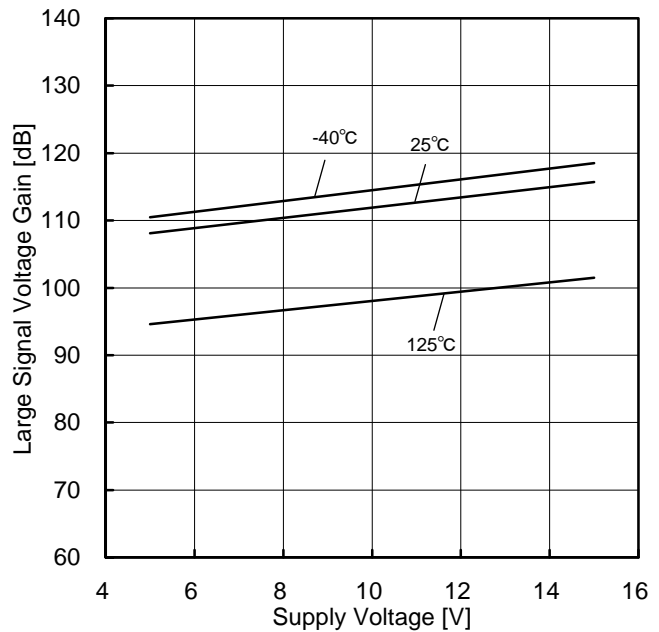


Figure 45.  
Large Signal Voltage Gain vs Supply Voltage  
(R<sub>L</sub>=2kΩ)

(\*)The above data is measurement value of typical sample, it is not guaranteed.

OBA2902Yxx-M

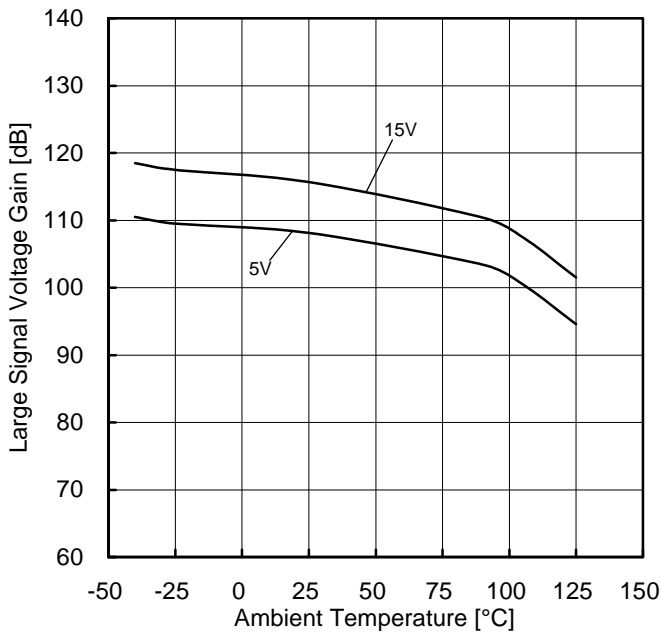


Figure 46.  
Large Signal Voltage Gain vs Ambient Temperature  
( $R_L=2k\Omega$ )

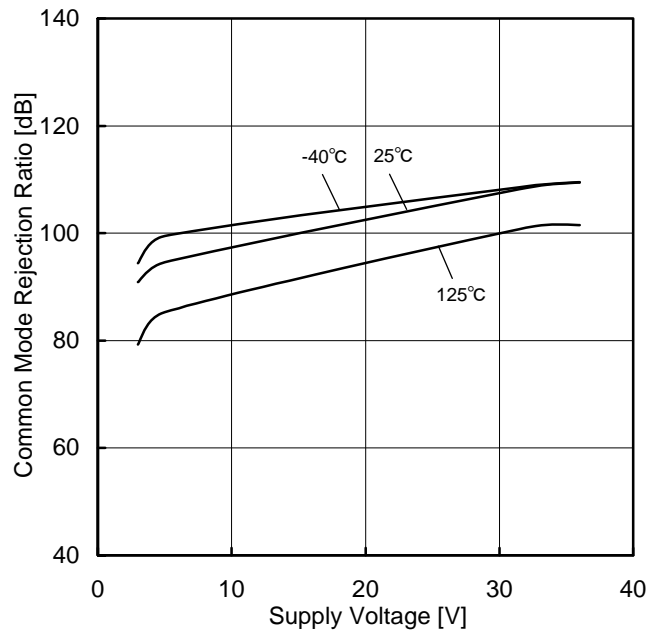


Figure 47.  
Common Mode Rejection Ratio vs Supply Voltage

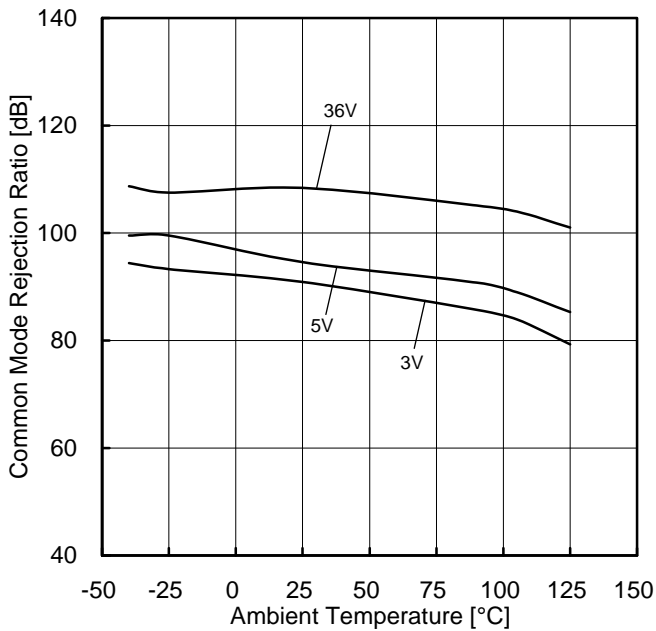


Figure 48.  
Common Mode Rejection Ratio vs Ambient Temperature

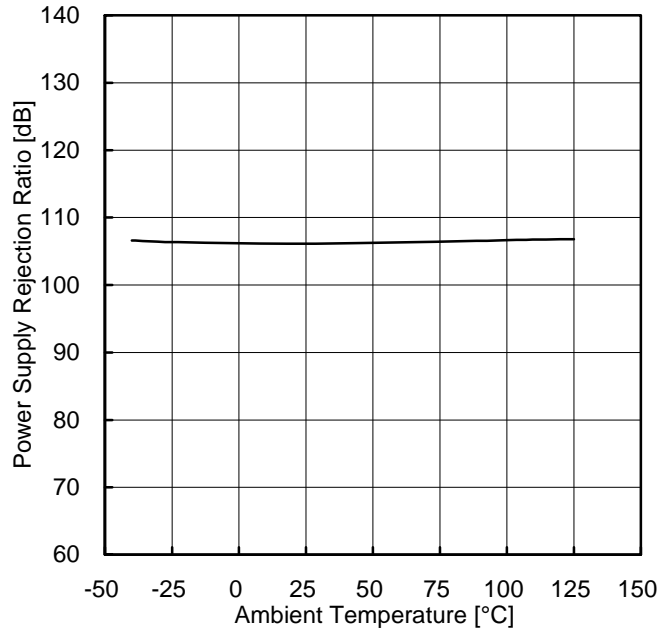


Figure 49.  
Power Supply Rejection Ratio vs Ambient Temperature

(\*)The above data is measurement value of typical sample, it is not guaranteed.

**Power Dissipation**

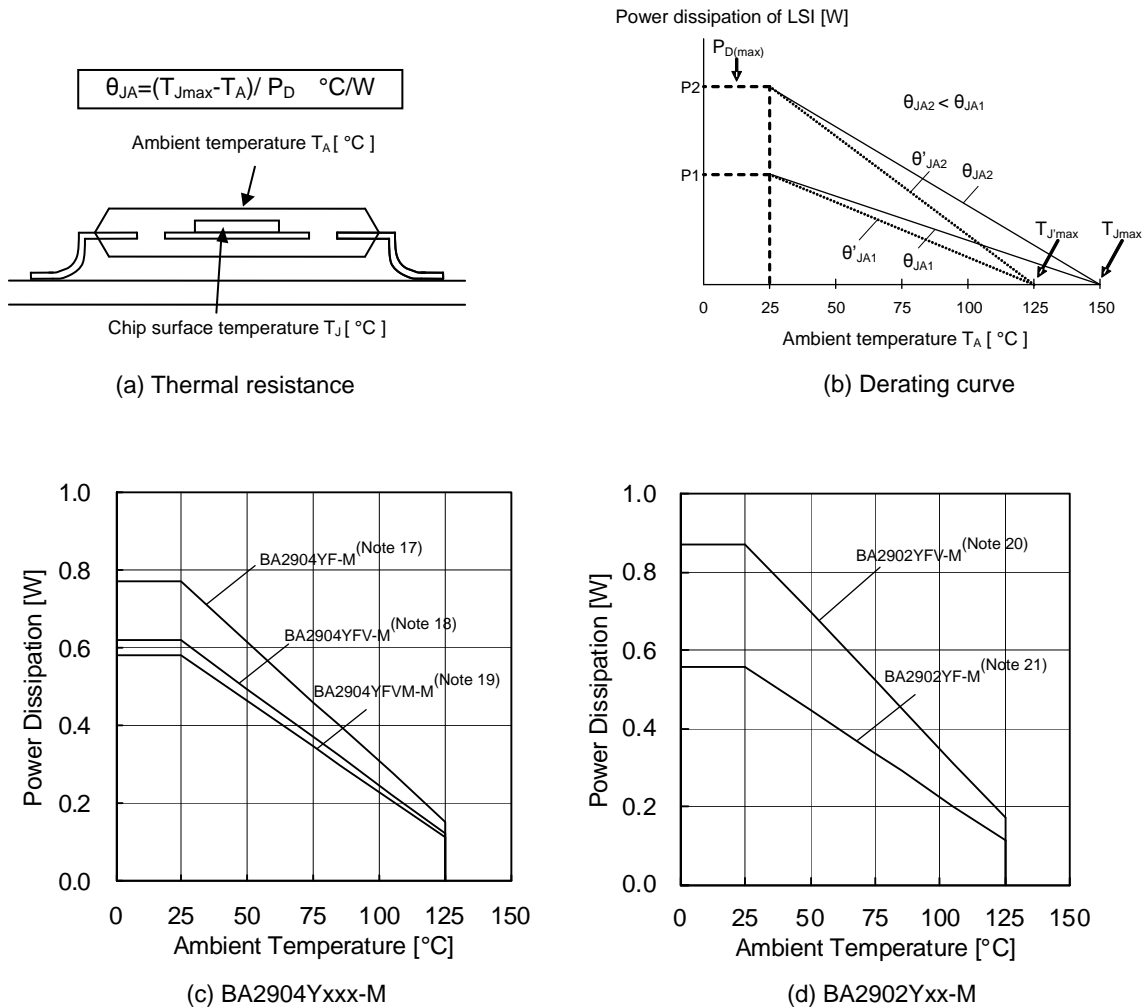
Power dissipation (total loss) indicates the power that the IC can consume at  $T_A=25^\circ\text{C}$  (normal temperature). As the IC consumes power, it heats up, causing its temperature to be higher than the ambient temperature. The allowable temperature that the IC can accept is limited. This depends on the circuit configuration, manufacturing process, and consumable power.

Power dissipation is determined by the allowable temperature within the IC (maximum junction temperature) and the thermal resistance of the package used (heat dissipation capability). Maximum junction temperature is typically equal to the maximum storage temperature. The heat generated through the consumption of power by the IC radiates from the mold resin or lead frame of the package. Thermal resistance, represented by the symbol  $\theta_{JA}^\circ\text{C/W}$ , indicates this heat dissipation capability. Similarly, the temperature of an IC inside its package can be estimated by thermal resistance.

Figure 50 (a) shows the model of the thermal resistance of a package. The equation below shows how to compute for the Thermal resistance ( $\theta_{JA}$ ), given the ambient temperature ( $T_A$ ), maximum junction temperature ( $T_{Jmax}$ ), and power dissipation ( $P_D$ ).

$$\theta_{JA} = (T_{Jmax} - T_A) / P_D \quad ^\circ\text{C/W}$$

The Derating curve in Figure 50 (b) indicates the power that the IC can consume with reference to ambient temperature. Power consumption of the IC begins to attenuate at certain temperatures. This gradient is determined by Thermal resistance ( $\theta_{JA}$ ), which depends on the chip size, power consumption, package, ambient temperature, package condition, wind velocity, etc. This may also vary even when the same of package is used. Thermal reduction curve indicates a reference value measured at a specified condition. Figure 50(c) and 50(d) shows an example of the derating curve for BA2904Yxxx-M, BA2902Yxx-M.



(Note17)	(Note18)	(Note19)	(Note20)	(Note21)	Unit
6.2	5.0	4.7	7.0	4.5	mW/°C

When using the unit above  $T_A=25^\circ\text{C}$ , subtract the value above per Celsius degree.  
 Mounted on a FR4 glass epoxy board 70mmx70mmx1.6mm (copper foil area less than 3%)

Figure 50. Thermal resistance and derating

Application Information

NULL method condition for Test circuit1

VCC, VEE, E<sub>K</sub>, V<sub>ICM</sub> Unit: V

Parameter	V <sub>F</sub>	S1	S2	S3	VCC	VEE	E <sub>K</sub>	V <sub>ICM</sub>	calculation
Input Offset Voltage	V <sub>F1</sub>	ON	ON	OFF	5 to 30	0	-1.4	0	1
Input Offset Current	V <sub>F2</sub>	OFF	OFF	OFF	5	0	-1.4	0	2
Input Bias Current	V <sub>F3</sub>	OFF	ON	OFF	5	0	-1.4	0	3
	V <sub>F4</sub>	ON	OFF						
Large Signal Voltage Gain	V <sub>F5</sub>	ON	ON	ON	15	0	-1.4	0	4
	V <sub>F6</sub>				15	0	-11.4	0	
Common-mode Rejection Ratio (Input common-mode Voltage Range)	V <sub>F7</sub>	ON	ON	OFF	5	0	-1.4	0	5
	V <sub>F8</sub>				5	0	-1.4	3.5	
Power Supply Rejection Ratio	V <sub>F9</sub>	ON	ON	OFF	5	0	-1.4	0	6
	V <sub>F10</sub>				30	0	-1.4	0	

- Calculation -

1. Input Offset Voltage (V<sub>IO</sub>)

$$V_{IO} = \frac{|V_{F1}|}{1+R_F/R_S} \text{ [V]}$$

2. Input Offset Current (I<sub>IO</sub>)

$$I_{IO} = \frac{|V_{F2}-V_{F1}|}{R_I \times (1+R_F/R_S)} \text{ [A]}$$

3. Input Bias Current (I<sub>B</sub>)

$$I_B = \frac{|V_{F4}-V_{F3}|}{2 \times R_I \times (1+R_F/R_S)} \text{ [A]}$$

4. Large Signal Voltage Gain (A<sub>V</sub>)

$$A_V = 20 \text{Log} \frac{\Delta E_K \times (1+R_F/R_S)}{|V_{F5}-V_{F6}|} \text{ [dB]}$$

5. Common-mode Rejection Ration (CMRR)

$$\text{CMRR} = 20 \times \text{Log} \frac{\Delta V_{ICM} \times (1+R_F/R_S)}{|V_{F8} - V_{F7}|} \text{ [dB]}$$

6. Power supply rejection ratio (PSRR)

$$\text{PSRR} = 20 \times \text{Log} \frac{\Delta V_{CC} \times (1+R_F/R_S)}{|V_{F10} - V_{F9}|} \text{ [dB]}$$

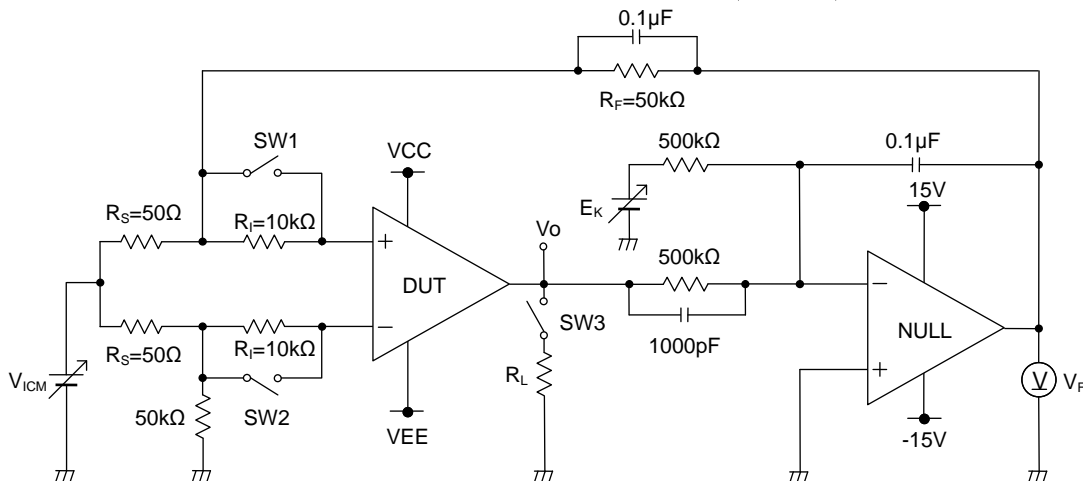


Figure 51. Test circuit1 (one channel only)

Switch Condition for Test Circuit 2

SW No.	SW 1	SW 2	SW 3	SW 4	SW 5	SW 6	SW 7	SW 8	SW 9	SW 10	SW 11	SW 12	SW 13	SW 14
Supply Current	OFF	OFF	OFF	ON	OFF	ON	OFF	OFF	OFF	OFF	OFF	OFF	OFF	OFF
Maximum Output Voltage (high)	OFF	OFF	ON	OFF	OFF	ON	OFF	OFF	ON	OFF	OFF	OFF	ON	OFF
Maximum Output Voltage (Low)	OFF	OFF	ON	OFF	OFF	ON	OFF	OFF	OFF	OFF	OFF	OFF	ON	OFF
Output Source Current	OFF	OFF	ON	OFF	OFF	ON	OFF	OFF	OFF	OFF	OFF	OFF	OFF	ON
Output Sink Current	OFF	OFF	ON	OFF	OFF	ON	OFF	OFF	OFF	OFF	OFF	OFF	OFF	ON
Slew Rate	OFF	OFF	OFF	ON	OFF	OFF	OFF	ON	ON	ON	OFF	OFF	OFF	OFF
Gain Bandwidth Product	OFF	ON	OFF	OFF	ON	ON	OFF	OFF	ON	ON	OFF	OFF	OFF	OFF
Equivalent Input Noise Voltage	ON	OFF	OFF	OFF	ON	ON	OFF	OFF	OFF	OFF	ON	OFF	OFF	OFF

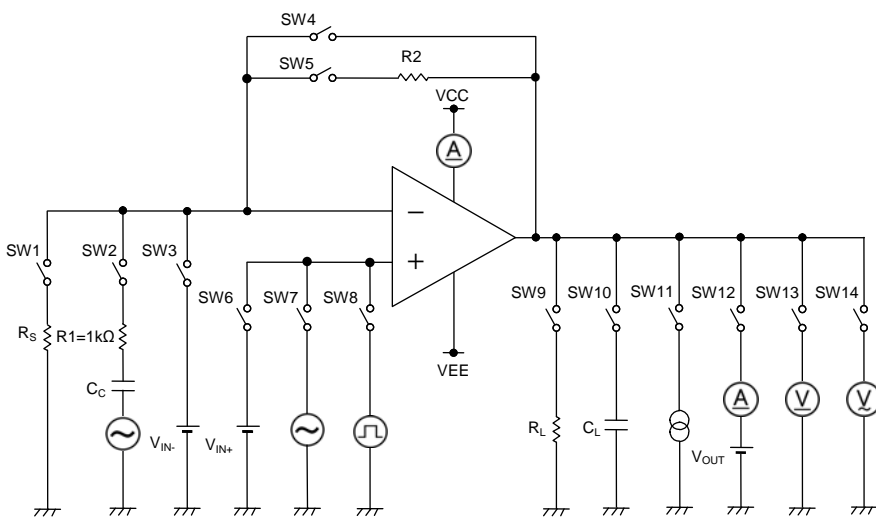


Figure 52. Test Circuit 2 (each Op-Amp)

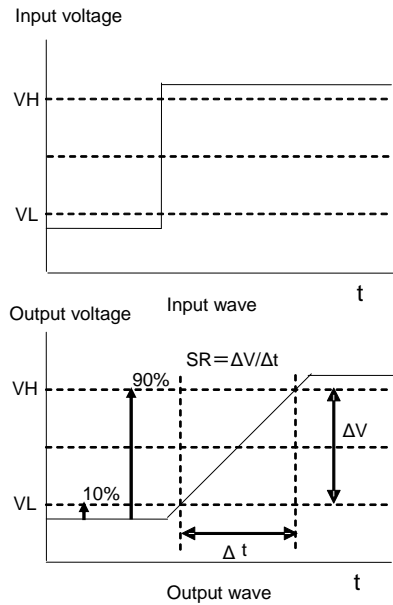


Figure 53. Slew Rate Input Waveform

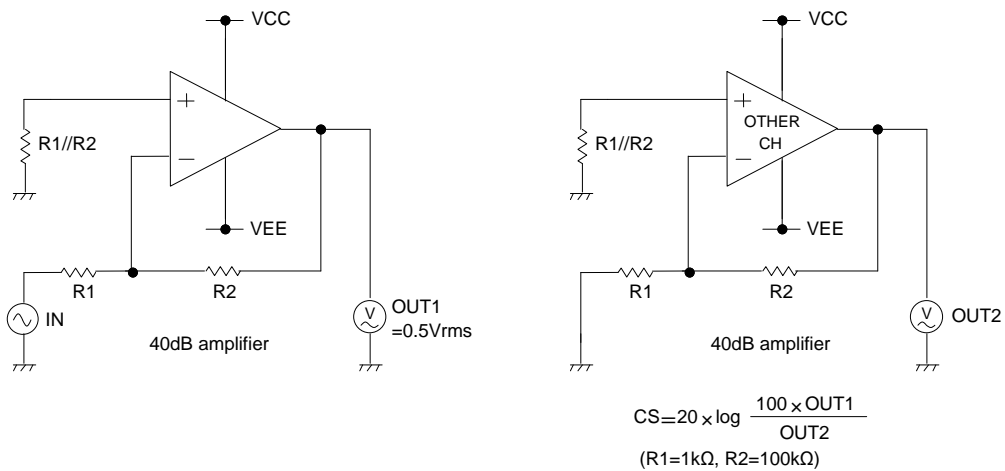


Figure 54. Test Circuit 3(Channel Separation)

**Operational Notes**

1. **Reverse Connection of Power Supply**  
Connecting the power supply in reverse polarity can damage the IC. Take precautions against reverse polarity when connecting the power supply, such as mounting an external diode between the power supply and the IC's power supply terminals.
2. **Power Supply Lines**  
Design the PCB layout pattern to provide low impedance ground and supply lines. Separate the ground and supply lines of the digital and analog blocks to prevent noise in the ground and supply lines of the digital block from affecting the analog block. Furthermore, connect a capacitor to ground at all power supply pins. Consider the effect of temperature and aging on the capacitance value when using electrolytic capacitors.
3. **Ground Voltage**  
Ensure that no pins are at a voltage below that of the ground pin at any time, even during transient condition.
4. **Ground Wiring Pattern**  
When using both small-signal and large-current GND traces, the two ground traces should be routed separately but connected to a single ground at the reference point of the application board to avoid fluctuations in the small-signal ground caused by large currents. Also ensure that the GND traces of external components do not cause variations on the GND voltage. The power supply and ground lines must be as short and thick as possible to reduce line impedance.
5. **Thermal Consideration**  
Should by any chance the power dissipation rating be exceeded, the rise in temperature of the chip may result in deterioration of the properties of the chip. The absolute maximum rating of the Pd stated in this specification is when the IC is mounted on a 70mm x 70mm x 1.6mm glass epoxy board. In case of exceeding this absolute maximum rating, increase the board size and copper area to prevent exceeding the Pd rating.
6. **Recommended Operating Conditions**  
These conditions represent a range within which the expected characteristics of the IC can be approximately obtained. The electrical characteristics are guaranteed under the conditions of each parameter.
7. **Inrush Current**  
When power is first supplied to the IC, it is possible that the internal logic may be unstable and inrush current may flow instantaneously due to the internal powering sequence and delays, especially if the IC has more than one power supply. Therefore, give special consideration to power coupling capacitance, power wiring, width of GND wiring, and routing of connections.
8. **Operation Under Strong Electromagnetic Field**  
Operating the IC in the presence of a strong electromagnetic field may cause the IC to malfunction.
9. **Testing on Application Boards**  
When testing the IC on an application board, connecting a capacitor directly to a low-impedance output pin may subject the IC to stress. Always discharge capacitors completely after each process or step. The IC's power supply should always be turned off completely before connecting or removing it from the test setup during the inspection process. To prevent damage from static discharge, ground the IC during assembly and use similar precautions during transport and storage.
10. **Inter-pin Short and Mounting Errors**  
Ensure that the direction and position are correct when mounting the IC on the PCB. Incorrect mounting may result in damaging the IC. Avoid nearby pins being shorted to each other especially to ground. Inter-pin shorts could be due to many reasons such as metal particles, water droplets (in very humid environment) and unintentional solder bridge deposited in between pins during assembly to name a few.

Operational Notes – continued

11. Regarding Input Pins of the IC

This monolithic IC contains P+ isolation and P substrate layers between adjacent elements in order to keep them isolated. P-N junctions are formed at the intersection of the P layers with the N layers of other elements, creating a parasitic diode or transistor. For example (refer to figure below):

- When  $GND > Pin A$  and  $GND > Pin B$ , the P-N junction operates as a parasitic diode.
- When  $GND > Pin B$ , the P-N junction operates as a parasitic transistor.

Parasitic diodes inevitably occur in the structure of the IC. The operation of parasitic diodes can result in mutual interference among circuits, operational faults, or physical damage. Therefore, conditions that cause these diodes to operate, such as applying a voltage lower than the GND voltage to an input pin (and thus to the P substrate) should be avoided.

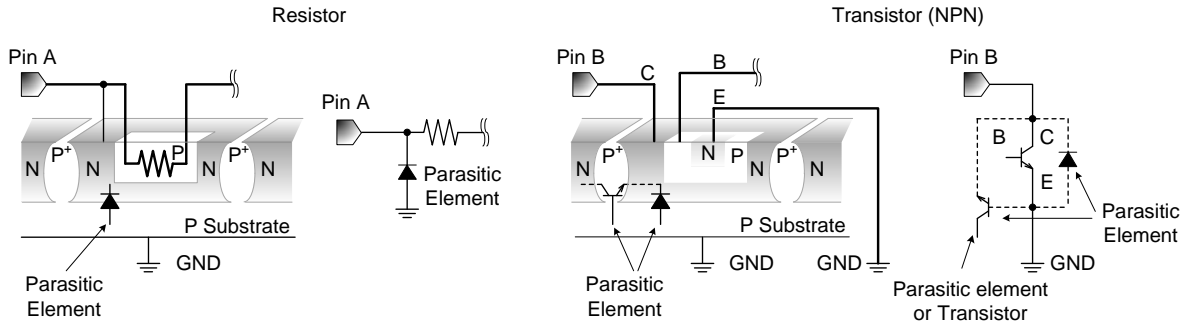


Figure 55. Example of Monolithic IC Structure

12. Unused Circuits

When there are unused circuits it is recommended that they be connected as in Figure 56, setting the non-inverting input terminal to a potential within the in-phase input voltage range ( $V_{ICM}$ ).

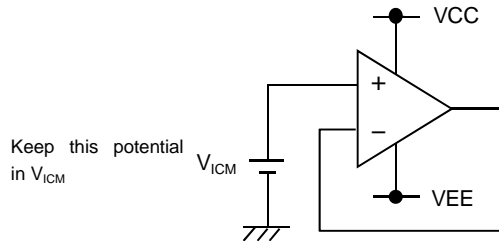


Figure 56. Disable Circuit Example

13. Input Terminal Voltage

(BA2904 / BA2902) Applying VEE + 36V to the input terminal is possible without causing deterioration of the electrical characteristics or destruction, irrespective of the supply voltage. However, this does not ensure normal circuit operation. Please note that the circuit operates normally only when the input voltage is within the common mode input voltage range of the electric characteristics.

14. Power Supply (signal / dual)

The op-amp operates when the specified voltage supplied is between VCC and VEE. Therefore, the single supply op-amp can be used as a dual supply op-amp as well.

15. Terminal short-circuits

When the output and VCC terminals are shorted, excessive output current may flow, resulting in undue heat generation and, subsequently, destruction.

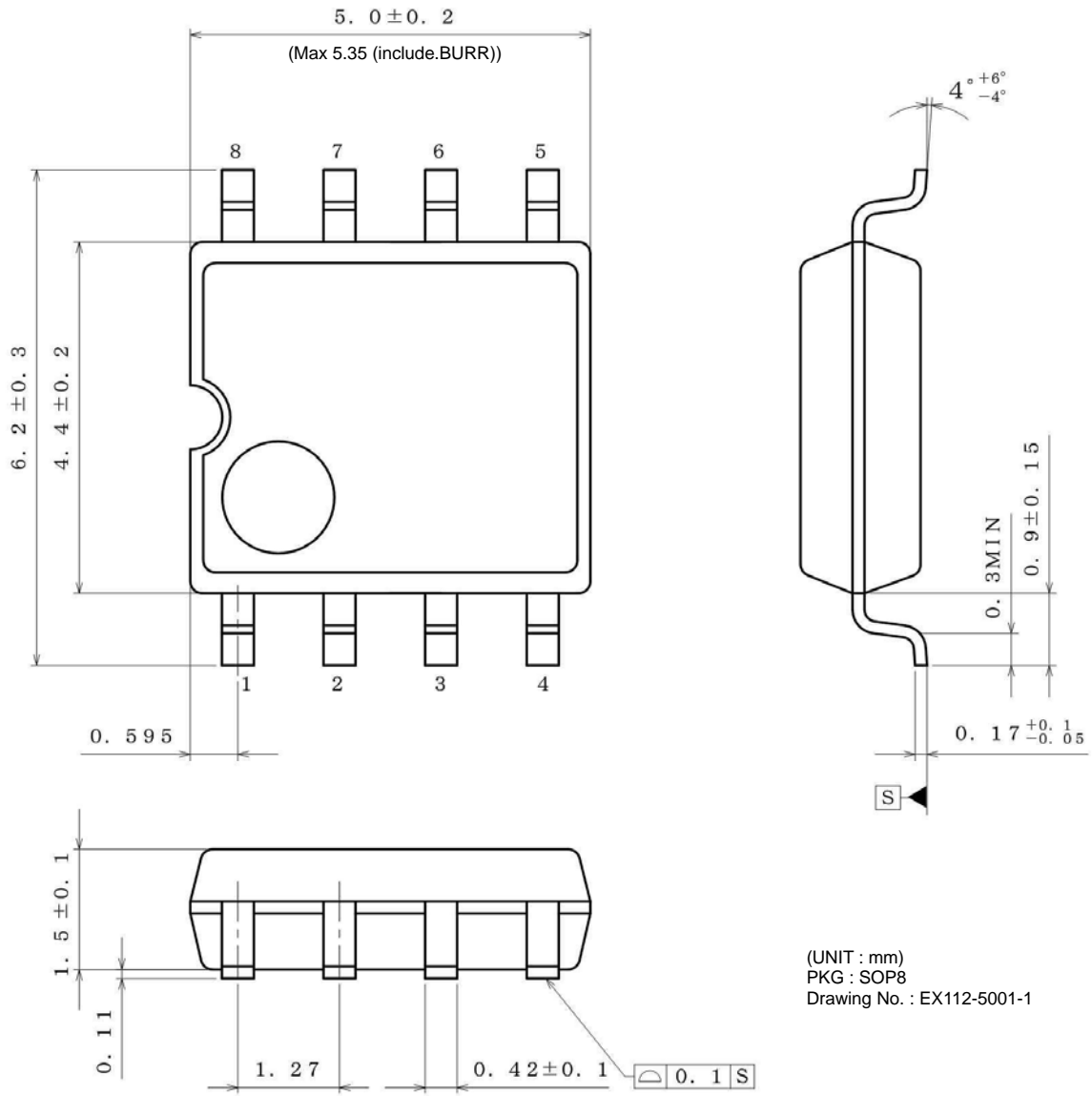
16. IC Handling

Applying mechanical stress to the IC by deflecting or bending the board may cause fluctuations in the electrical characteristics due to piezo resistance effects.

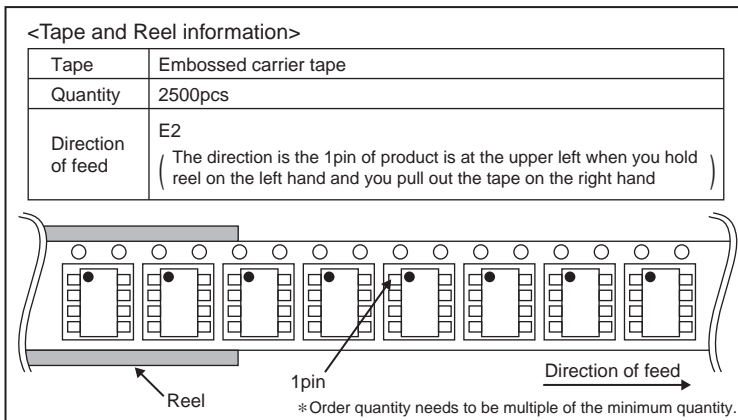


Physical Dimensions Tape and Reel Information

Package Name	SOP8
--------------	------

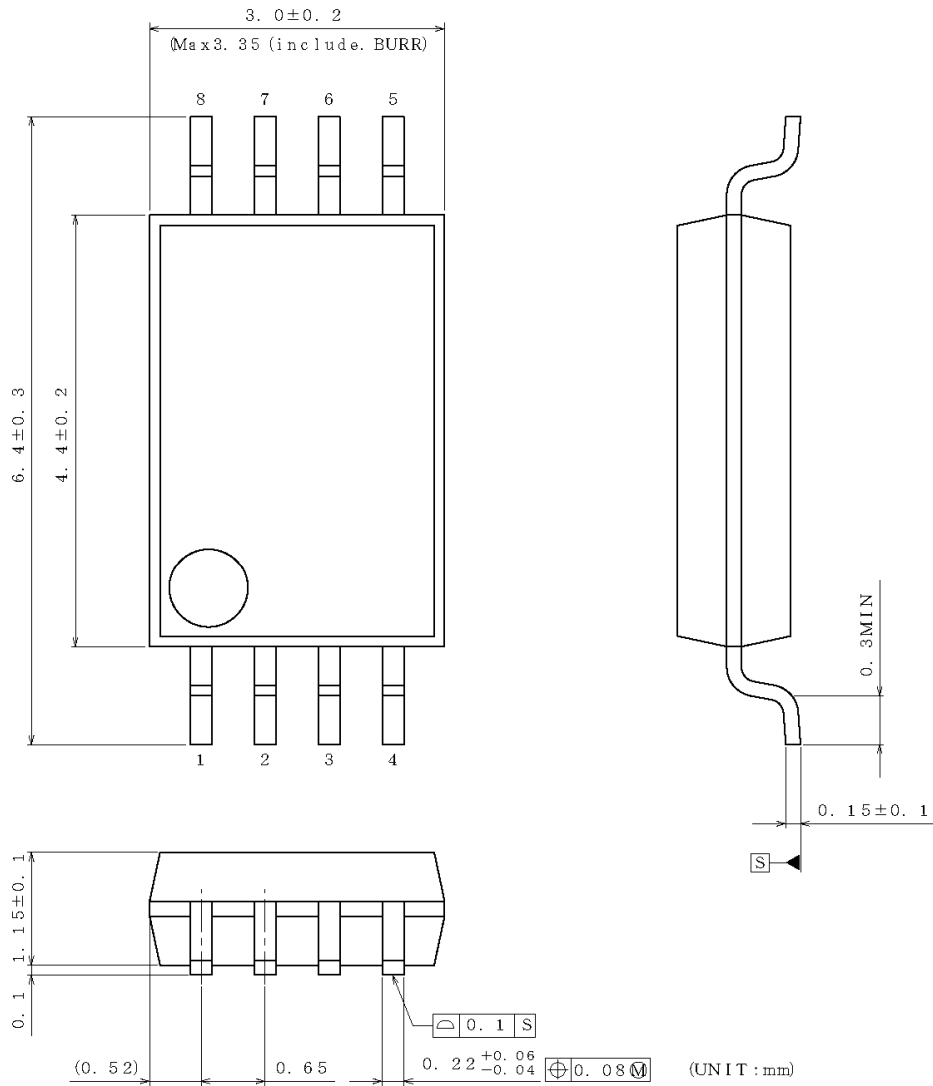


(UNIT : mm)  
 PKG : SOP8  
 Drawing No. : EX112-5001-1

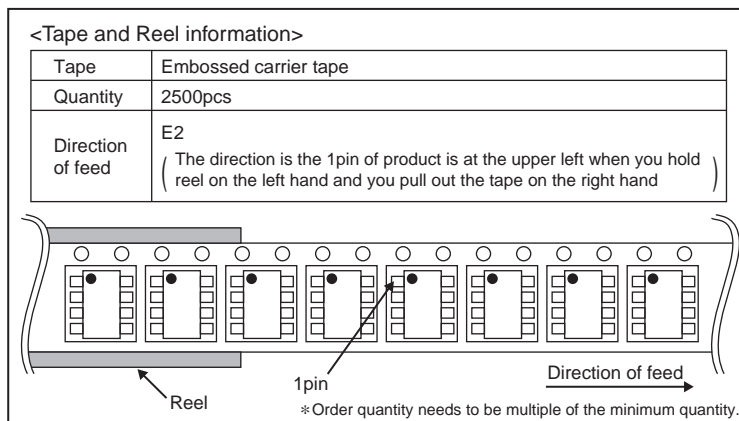


Physical Dimension Tape and Reel Information - continued

Package Name	SSOP-B8
--------------	---------

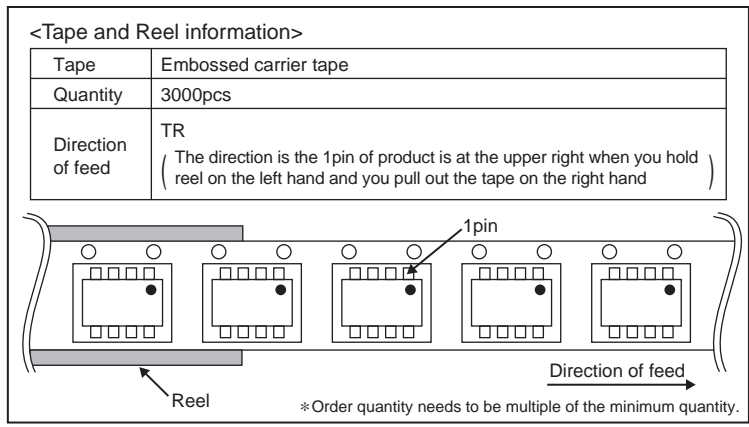
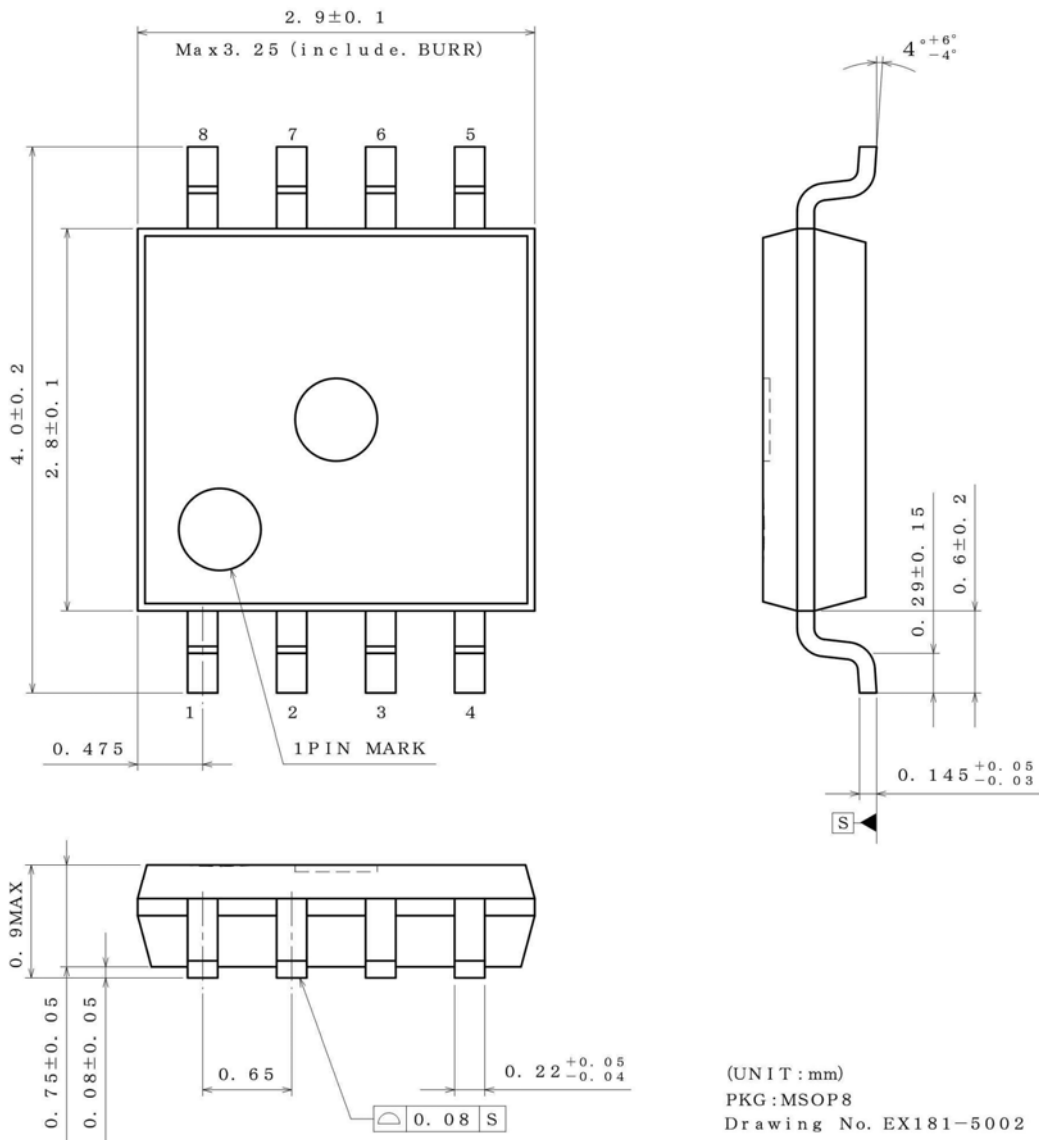


(UNIT : mm)  
 PKG : SSOP-B8  
 Drawing No. EX151-5002



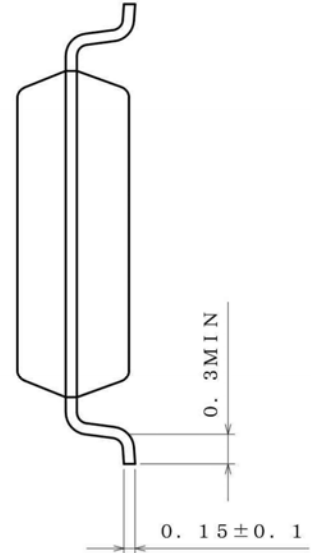
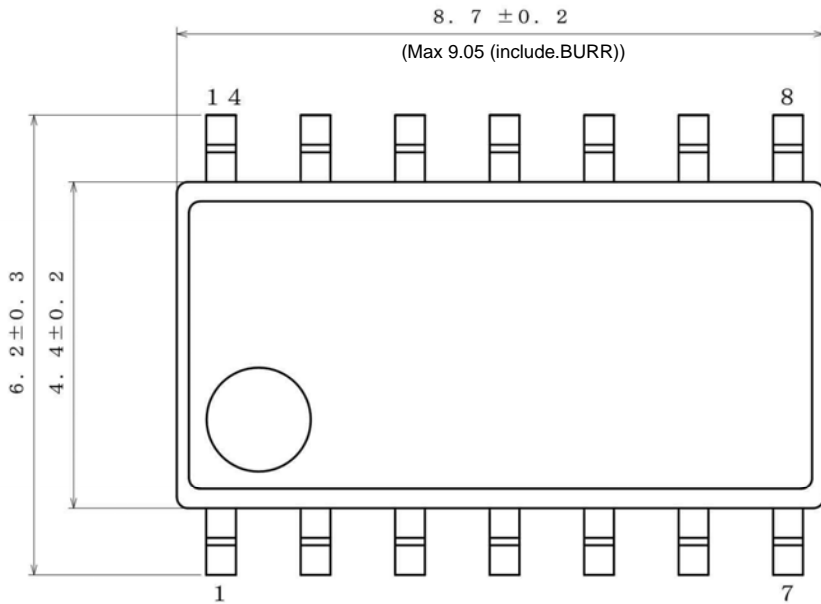
Physical Dimension Tape and Reel Information - continued

Package Name	MSOP8
--------------	-------



Physical Dimension Tape and Reel Information - continued

Package Name	SOP14
--------------	-------



(UNIT : mm)  
 PKG : SOP14  
 Drawing No. : EX113-5001

<Tape and Reel information>

Tape	Embossed carrier tape
Quantity	2500pcs
Direction of feed	E2 ( The direction is the 1pin of product is at the upper left when you hold reel on the left hand and you pull out the tape on the right hand )

Reel

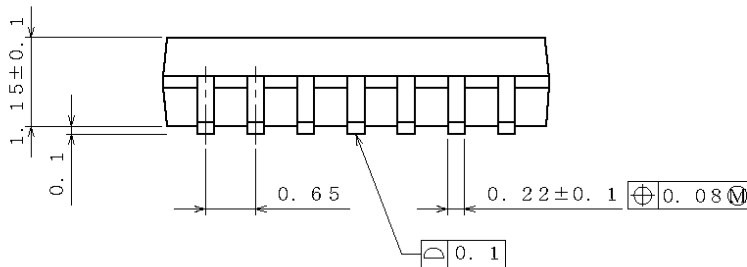
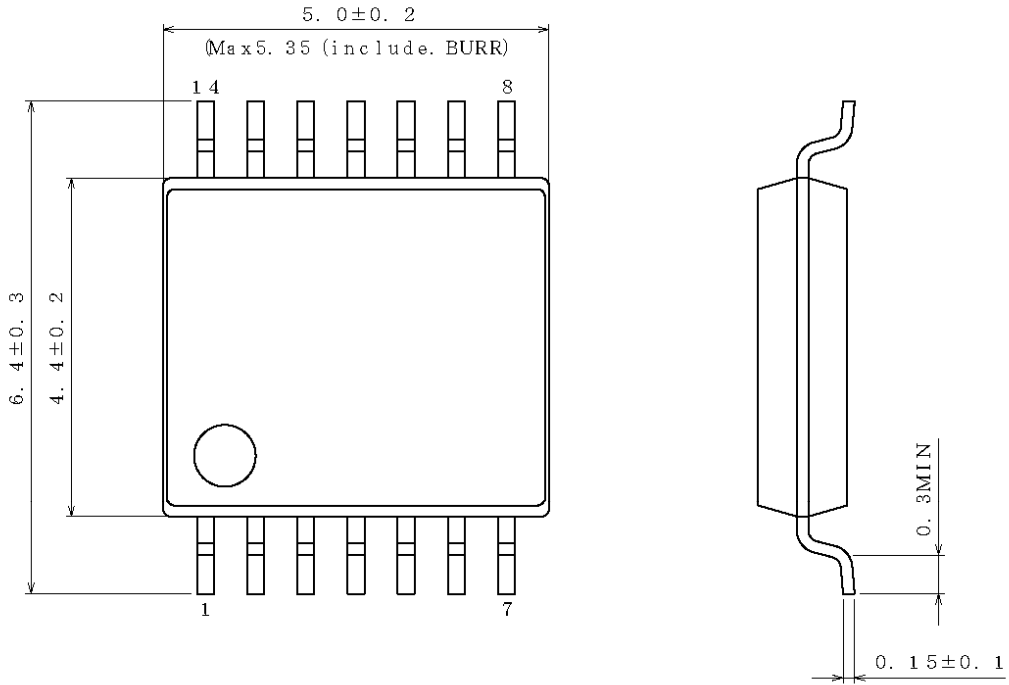
1pin

Direction of feed

\*Order quantity needs to be multiple of the minimum quantity.

Physical Dimension Tape and Reel Information - continued

Package Name	SSOP-B14
--------------	----------



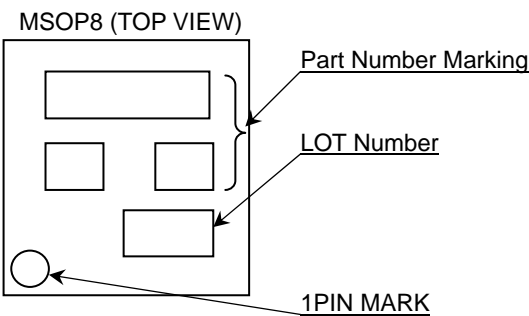
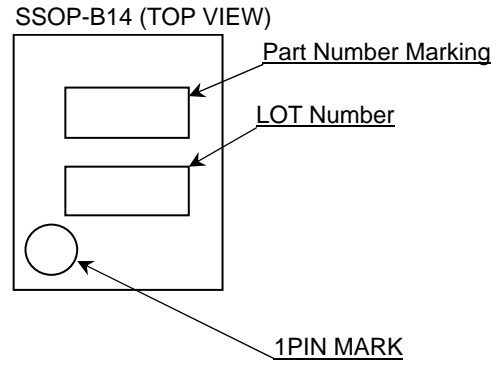
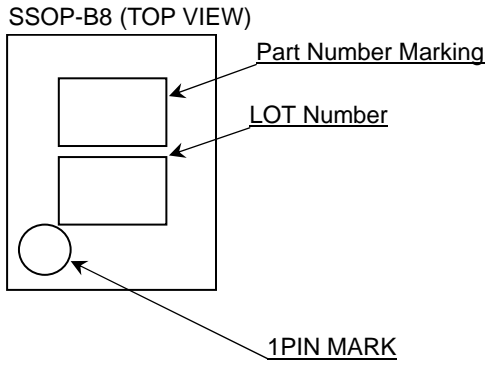
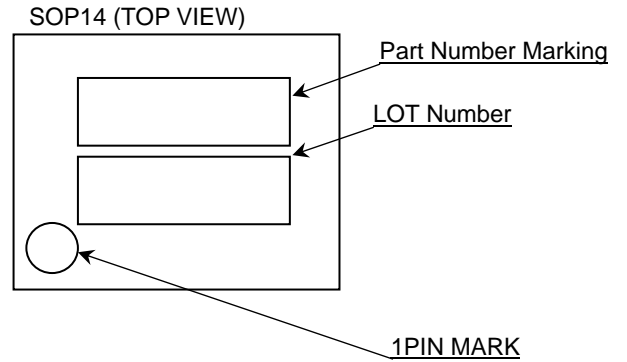
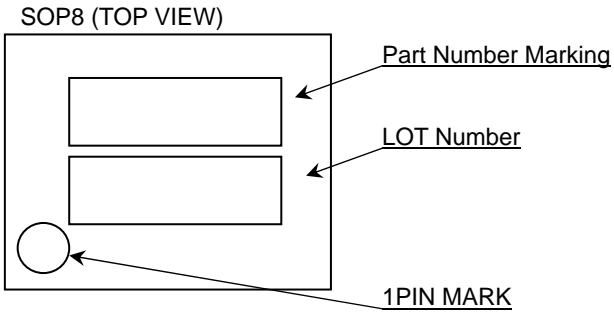
(UNIT : mm)  
 PKG : SSOP-B14  
 Drawing No. EX152-5002

<Tape and Reel information>

Tape	Embossed carrier tape
Quantity	2500pcs
Direction of feed	E2 ( The direction is the 1pin of product is at the upper left when you hold reel on the left hand and you pull out the tape on the right hand )

1pin  
 \*Order quantity needs to be multiple of the minimum quantity.

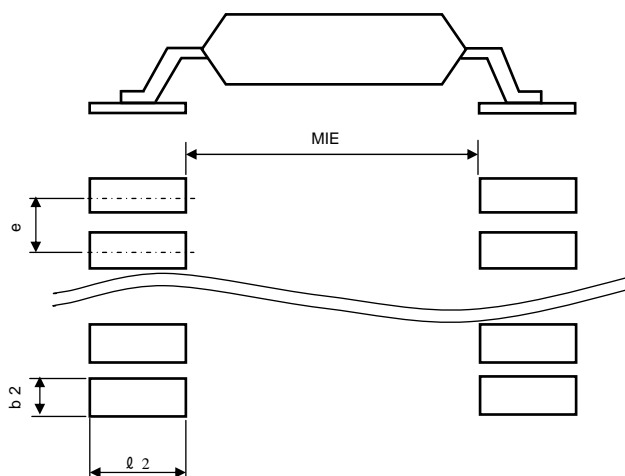
Marking Diagrams



Product Name		Package Type	Marking
BA2904Y	F-M	SOP8	2904Y
	FV-M	SSOP-B8	04Y
	FVM-M	MSOP8	2904Y
BA2902Y	F-M	SOP14	BA2902YF
	FV-M	SSOP-B14	2902Y

Land pattern data

SOP8, SSOP-B8, MSOP8, SOP14, SSOP-B14



All dimensions in mm

PKG	Land pitch e	Land space MIE	Land length $\geq l_2$	Land width b2
SOP8 SOP14	1.27	4.60	1.10	0.76
SSOP-B8 SSOP-B14	0.65	4.60	1.20	0.35
MSOP8	0.65	2.62	0.99	0.35

Revision History

Date	Revision	Changes
5.Mar.2012	001	New Release
28.Jan.2013	002	Land pattern data inserted.
13.Sep.2013	003	SOP8, SSOP-B8, MSOP8 Power dissipation corrected. SSOP-B8, SSOP-B14 corrected.

# Notice

## Precaution on using ROHM Products

1. If you intend to use our Products in devices requiring extremely high reliability (such as medical equipment <sup>(Note 1)</sup>, aircraft/spacecraft, nuclear power controllers, etc.) and whose malfunction or failure may cause loss of human life, bodily injury or serious damage to property ("Specific Applications"), please consult with the ROHM sales representative in advance. Unless otherwise agreed in writing by ROHM in advance, ROHM shall not be in any way responsible or liable for any damages, expenses or losses incurred by you or third parties arising from the use of any ROHM's Products for Specific Applications.

(Note1) Medical Equipment Classification of the Specific Applications

JAPAN	USA	EU	CHINA
CLASS III	CLASS III	CLASS II b	CLASS III
CLASS IV		CLASS III	

2. ROHM designs and manufactures its Products subject to strict quality control system. However, semiconductor products can fail or malfunction at a certain rate. Please be sure to implement, at your own responsibilities, adequate safety measures including but not limited to fail-safe design against the physical injury, damage to any property, which a failure or malfunction of our Products may cause. The following are examples of safety measures:
  - [a] Installation of protection circuits or other protective devices to improve system safety
  - [b] Installation of redundant circuits to reduce the impact of single or multiple circuit failure
3. Our Products are not designed under any special or extraordinary environments or conditions, as exemplified below. Accordingly, ROHM shall not be in any way responsible or liable for any damages, expenses or losses arising from the use of any ROHM's Products under any special or extraordinary environments or conditions. If you intend to use our Products under any special or extraordinary environments or conditions (as exemplified below), your independent verification and confirmation of product performance, reliability, etc, prior to use, must be necessary:
  - [a] Use of our Products in any types of liquid, including water, oils, chemicals, and organic solvents
  - [b] Use of our Products outdoors or in places where the Products are exposed to direct sunlight or dust
  - [c] Use of our Products in places where the Products are exposed to sea wind or corrosive gases, including Cl<sub>2</sub>, H<sub>2</sub>S, NH<sub>3</sub>, SO<sub>2</sub>, and NO<sub>2</sub>
  - [d] Use of our Products in places where the Products are exposed to static electricity or electromagnetic waves
  - [e] Use of our Products in proximity to heat-producing components, plastic cords, or other flammable items
  - [f] Sealing or coating our Products with resin or other coating materials
  - [g] Use of our Products without cleaning residue of flux (even if you use no-clean type fluxes, cleaning residue of flux is recommended); or Washing our Products by using water or water-soluble cleaning agents for cleaning residue after soldering
  - [h] Use of the Products in places subject to dew condensation
4. The Products are not subject to radiation-proof design.
5. Please verify and confirm characteristics of the final or mounted products in using the Products.
6. In particular, if a transient load (a large amount of load applied in a short period of time, such as pulse. is applied, confirmation of performance characteristics after on-board mounting is strongly recommended. Avoid applying power exceeding normal rated power; exceeding the power rating under steady-state loading condition may negatively affect product performance and reliability.
7. De-rate Power Dissipation (Pd) depending on Ambient temperature (Ta). When used in sealed area, confirm the actual ambient temperature.
8. Confirm that operation temperature is within the specified range described in the product specification.
9. ROHM shall not be in any way responsible or liable for failure induced under deviant condition from what is defined in this document.

## Precaution for Mounting / Circuit board design

1. When a highly active halogenous (chlorine, bromine, etc.) flux is used, the residue of flux may negatively affect product performance and reliability.
2. In principle, the reflow soldering method must be used; if flow soldering method is preferred, please consult with the ROHM representative in advance.

For details, please refer to ROHM Mounting specification



### Precautions Regarding Application Examples and External Circuits

1. If change is made to the constant of an external circuit, please allow a sufficient margin considering variations of the characteristics of the Products and external components, including transient characteristics, as well as static characteristics.
2. You agree that application notes, reference designs, and associated data and information contained in this document are presented only as guidance for Products use. Therefore, in case you use such information, you are solely responsible for it and you must exercise your own independent verification and judgment in the use of such information contained in this document. ROHM shall not be in any way responsible or liable for any damages, expenses or losses incurred by you or third parties arising from the use of such information.

### Precaution for Electrostatic

This Product is electrostatic sensitive product, which may be damaged due to electrostatic discharge. Please take proper caution in your manufacturing process and storage so that voltage exceeding the Products maximum rating will not be applied to Products. Please take special care under dry condition (e.g. Grounding of human body / equipment / solder iron, isolation from charged objects, setting of Ionizer, friction prevention and temperature / humidity control).

### Precaution for Storage / Transportation

1. Product performance and soldered connections may deteriorate if the Products are stored in the places where:
  - [a] the Products are exposed to sea winds or corrosive gases, including Cl<sub>2</sub>, H<sub>2</sub>S, NH<sub>3</sub>, SO<sub>2</sub>, and NO<sub>2</sub>
  - [b] the temperature or humidity exceeds those recommended by ROHM
  - [c] the Products are exposed to direct sunshine or condensation
  - [d] the Products are exposed to high Electrostatic
2. Even under ROHM recommended storage condition, solderability of products out of recommended storage time period may be degraded. It is strongly recommended to confirm solderability before using Products of which storage time is exceeding the recommended storage time period.
3. Store / transport cartons in the correct direction, which is indicated on a carton with a symbol. Otherwise bent leads may occur due to excessive stress applied when dropping of a carton.
4. Use Products within the specified time after opening a humidity barrier bag. Baking is required before using Products of which storage time is exceeding the recommended storage time period.

### Precaution for Product Label

QR code printed on ROHM Products label is for ROHM's internal use only.

### Precaution for Disposition

When disposing Products please dispose them properly using an authorized industry waste company.

### Precaution for Foreign Exchange and Foreign Trade act

Since our Products might fall under controlled goods prescribed by the applicable foreign exchange and foreign trade act, please consult with ROHM representative in case of export.

### Precaution Regarding Intellectual Property Rights

1. All information and data including but not limited to application example contained in this document is for reference only. ROHM does not warrant that foregoing information or data will not infringe any intellectual property rights or any other rights of any third party regarding such information or data. ROHM shall not be in any way responsible or liable for infringement of any intellectual property rights or other damages arising from use of such information or data.:
2. No license, expressly or implied, is granted hereby under any intellectual property rights or other rights of ROHM or any third parties with respect to the information contained in this document.

### Other Precaution

1. This document may not be reprinted or reproduced, in whole or in part, without prior written consent of ROHM.
2. The Products may not be disassembled, converted, modified, reproduced or otherwise changed without prior written consent of ROHM.
3. In no event shall you use in any way whatsoever the Products and the related technical information contained in the Products or this document for any military purposes, including but not limited to, the development of mass-destruction weapons.
4. The proper names of companies or products described in this document are trademarks or registered trademarks of ROHM, its affiliated companies or third parties.

**General Precaution**

1. Before you use our Products, you are requested to carefully read this document and fully understand its contents. ROHM shall not be in any way responsible or liable for failure, malfunction or accident arising from the use of any ROHM's Products against warning, caution or note contained in this document.
2. All information contained in this document is current as of the issuing date and subject to change without any prior notice. Before purchasing or using ROHM's Products, please confirm the latest information with a ROHM sales representative.
3. The information contained in this document is provided on an "as is" basis and ROHM does not warrant that all information contained in this document is accurate and/or error-free. ROHM shall not be in any way responsible or liable for any damages, expenses or losses incurred by you or third parties resulting from inaccuracy or errors of or concerning such information.

# Mouser Electronics

Authorized Distributor

Click to View Pricing, Inventory, Delivery & Lifecycle Information:

[ROHM Semiconductor:](#)

[BA2902YF-MGE2](#) [BA2904YFVM-MGTR](#) [BA2904YF-MGE2](#) [BA2902YFV-MGE2](#) [BA2904YFV-MGE2](#)