

# V-RC/TWUM 13/KVD 13/LBL 16+3 - Cable connector



1000044

<https://www.phoenixcontact.com/us/products/1000044>

Please be informed that the data shown in this PDF document is generated from our online catalog. Please find the complete data in the user documentation. Our general terms of use for downloads are valid.

Cable connector, number of positions: 19, status display: No; master cable connection: M23 screw locking, shielding: no, Alternative product in accordance with RoHS II without Exemption 6c (Pb < 0.1 %) item no.: 1237973



## Commercial data

Item number	1000044
Packing unit	1 pc
Minimum order quantity	1 pc
Sales key	AB31
Product key	ABRAFC
Catalog page	Page 128 (PC-2009)
GTIN	4017918399870
Weight per piece (including packing)	165.8 g
Weight per piece (excluding packing)	154.2 g
Customs tariff number	85366990
Country of origin	DE

# V-RC/TWUM 13/KVD 13/LBL 16+3 - Cable connector



1000044

<https://www.phoenixcontact.com/us/products/1000044>

## Technical data

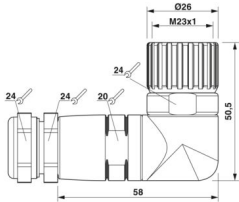
### Notes

Notes on operation	The connector is designed for use on sensor/actuator boxes with an M23 plug-in connection.
--------------------	--

### Product properties

Product type	Circular connector (cable-side)
Number of positions	19

### Dimensions

Dimensional drawing	
Width	26 mm
Height	51 mm
Length	78 mm

### Material specifications

Material Housing	GD-Zn
Flammability rating according to UL 94	V0
Contact material	CuZn
Contact surface material	gold-plated
Contact carrier material	PBT

### Connection data

#### Conductor connection

Connection method	Solder connection
Connection cross section	1 mm <sup>2</sup> 1.5 mm <sup>2</sup>

#### Pin assignment

Slot/position = Wire color or connection	1 / 4 (A) = 15 = WH 1 / 2 (B) = 7 = GYPK 2 / 4 (A) = 5 = GN 2 / 2 (B) = 4 = RDBU 3 / 4 (A) = 16 = YE 3 / 2 (B) = 8 = WHGN 4 / 4 (A) = 3 = GY 4 / 2 (B) = 14 = BNGN
--	---

1000044

<https://www.phoenixcontact.com/us/products/1000044>

	5 / 4 (A) = 17 = PK
	5 / 2 (B) = 9 = WHYE
	6 / 4 (A) = 2 = RD
	6 / 2 (B) = 13 = YEBN
	7 / 4 (A) = 11 = BK
	7 / 2 (B) = 10 = WHGY
	8 / 4 (A) = 1 = VT
	8 / 2 (B) = 18 = GYBN
	1-8 / 1 (+ 120 V) = 19 = BN
	1-8 / 3 (0 V) = 6 = BU
	1-8 / 5 (PE) = 12 = GNYE

### Electrical properties

Nominal voltage $U_N$	150 V
Rated current, total	10 A (with 1 mm <sup>2</sup> conductor cross section)

### Connector

#### Connection 2

Head design	Socket
Head cable outlet	angled
Head thread type	M23

### Cable/line

External cable diameter	10 mm ... 14 mm
Connection method	M23 screw locking

### Environmental and real-life conditions

#### Ambient conditions

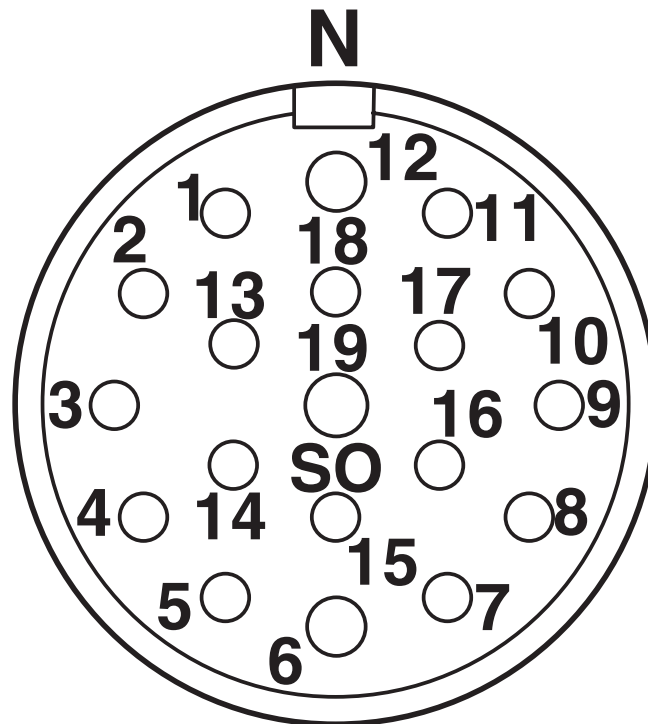
Degree of protection	IP65
	IP67
Ambient temperature (operation)	-20 °C ... 80 °C

1000044

<https://www.phoenixcontact.com/us/products/1000044>

## Drawings

Schematic diagram



Pin assignment M23 socket, 19-pos., female side view

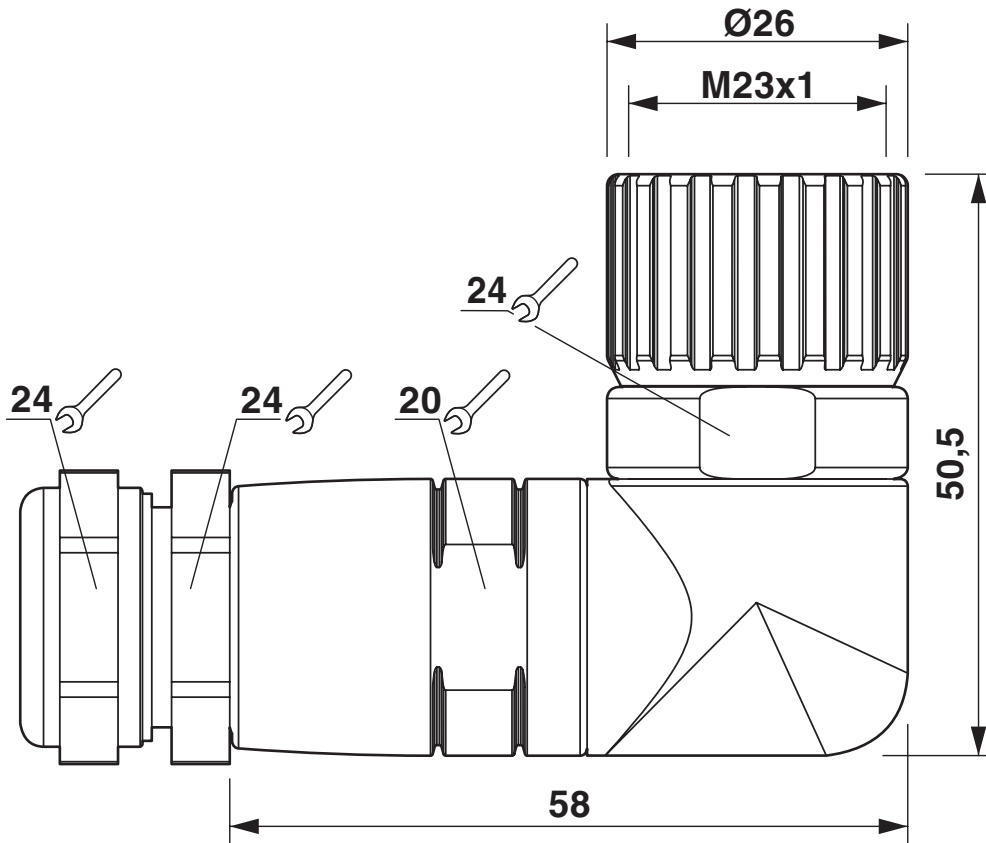
# V-RC/TWUM 13/KVD 13/LBL 16+3 - Cable connector



1000044

<https://www.phoenixcontact.com/us/products/1000044>

Dimensional drawing



Dimensional drawing

1000044

<https://www.phoenixcontact.com/us/products/1000044>

## Classifications

### ECLASS

ECLASS-11.0	27440109
ECLASS-12.0	27440109
ECLASS-13.0	27440109

### ETIM

ETIM 8.0	EC003569
----------	----------

### UNSPSC

UNSPSC 21.0	39121400
-------------	----------

1000044

<https://www.phoenixcontact.com/us/products/1000044>

## Environmental product compliance

### EU RoHS

Fulfills EU RoHS substance requirements	Yes
Exemption	6(c)

### China RoHS

Environment friendly use period (EFUP)	EFUP-50
	An article-related China RoHS declaration table can be found in the download area for the respective article under "Manufacturer declaration". For all articles with EFUP-E, no China RoHS declaration table issued and required.

### EU REACH SVHC

REACH candidate substance (CAS No.)	Lead(CAS: 7439-92-1)
SCIP	df0742ee-3ae9-49b9-9a7a-dd9ec3857517

# V-RC/TWUM 13/KVD 13/LBL 16+3 - Cable connector



1000044

<https://www.phoenixcontact.com/us/products/1000044>

## Accessories

### PLUSCON-RCS - Pipe spanner

1665062

<https://www.phoenixcontact.com/us/products/1665062>

Pipe spanner



---

Phoenix Contact 2024 © - all rights reserved  
<https://www.phoenixcontact.com>

Phoenix Contact USA  
586 Fulling Mill Road  
Middletown, PA 17057, United States  
(+717) 944-1300  
[info@phoenixcon.com](mailto:info@phoenixcon.com)