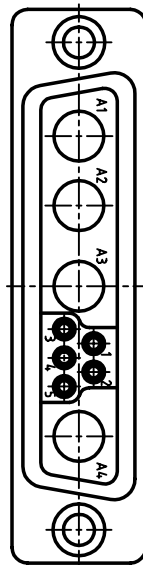
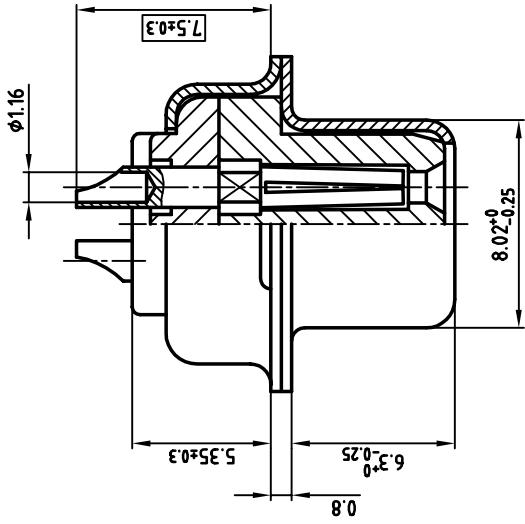
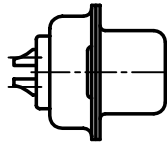
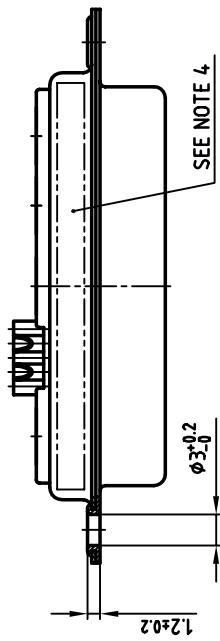
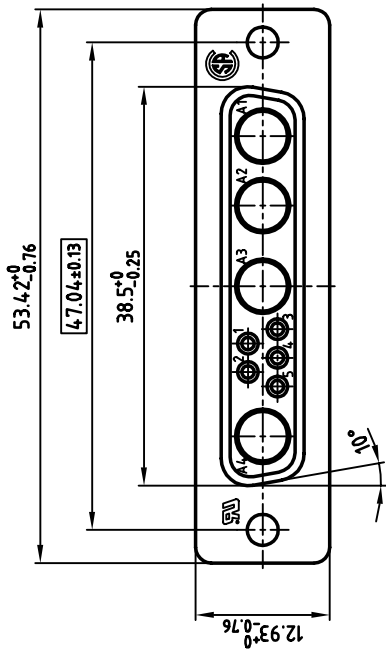


used for: D-SUB COMBINATION



NOTES:

1. METALSHELLS: STEEL; min. 320µ" TIN
2. INSULATORS: PBT GF UL 94 V-0, GREEN
3. SIGNAL CONTACTS: COPPER ALLOY
PLATING: min. 30µ" HARD GOLD OVER min. 50µ" NICKEL
SOLDER CUP ACCEPTS CABLE AWG 20
4. CONNECTOR IS PART MARKED: 3009W4SCM99A10X CONEC Y/W/W
5. = CRITICAL DIMENSION

Directive 2002/95/EC
"RoHS"
Compliant

APPROVAL # FREIGABE # DEBLOCKAGE # AUTORIZACION # APPROVAL

CUSTOMER APPROVAL DATE: _____

NAME: _____ TITLE: _____

COMPANY NAME: _____

APPROVAL # FREIGABE # DEBLOCKAGE # AUTORIZACION # APPROVAL

THIS DRAWING MAY NOT BE COPIED OR REPRODUCED IN ANY WAY, AND MAY NOT BE PASSED ON TO A THIRD PARTY WITHOUT WRITTEN PERMISSION. OWNERSHIP AND COPYRIGHT OF CONEC GMBH DO NOT ALTER CAD DRAWING BY HAND

2002	date	name	tolerance
drawn	09.08.	Parei	
appd.	09.08.	Mickenbecker	
norm			
4-old			

scale: 2:1 (5:1)
material: SEE NOTES

title: **D-SUB COMBINATION FEMALE**
9W4S SOLDER CUP

dwg no: AutoCAD 2000 DIN-A
3
sh: 1/1

part no: **3009W4SCM99A10X**

CONEC

13K1A673

Mouser Electronics

Authorized Distributor

Click to View Pricing, Inventory, Delivery & Lifecycle Information:

[Amphenol:](#)

[3009W4SCM99A10X](#)