

Micro Switch

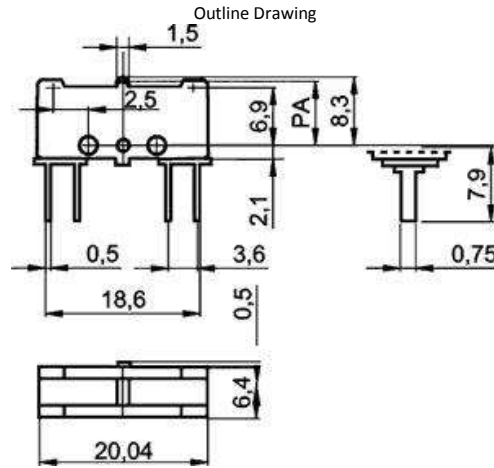
Q-787

TYPE: **WLK-14**



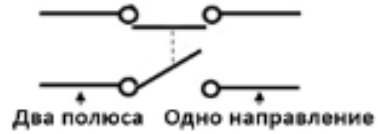
SPECIFICATIONS

Rating: 2,5A 250V AC
Contact R: 50mΩ max
Insulation R: 500V DC 100MΩ min
Dielectric Strength: 1 Minute 1500V AC
Operating Temperature: -25°C ~ +80°C
Electrical Life: 50, 000 Cycles
L, mm: 39



Mounting

Circuitry



(NC)&(NO)=(Вкл) и (Выкл)=ON-(OFF)&OFF-(ON)=(DPST NC NO)