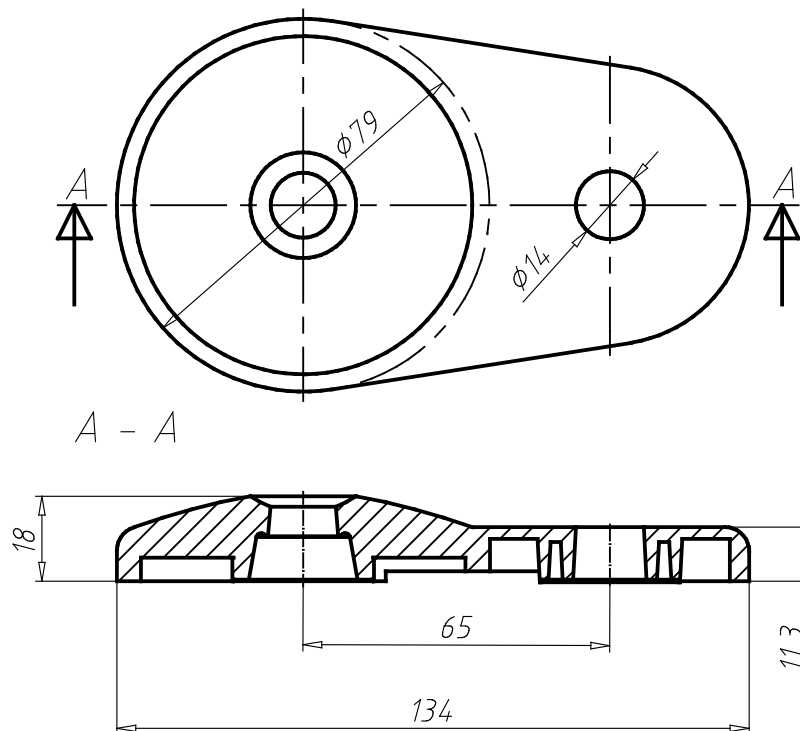


Extended Base 80 ZN for Pivot Feet

098AA080ZS



PARTNR (Part #)	BASE (Base)	DES (Description)	MAXL (Maximal Load / kg)	WEIGHT (Weight / g)	CTN (Customs Tariff Number)	ID (ID #)
098AA080ZS	80	Without Anti-Slip Plate	3500	400	79070000	103453